

Self Contained Ice Machine up to 100 kg



Features

- Produces Medium cubes or Small cubes.
- Up to 100 kg (220 lb) daily ice cubes production.
- Up to 37 kg (81 lb) ice storage capacity.
- Resistant stainless steel exterior.
- Front panel in & out airflow for built-in installation.
- It is suitable for under-counter installation with 870 mm in height.
- High grade appearance.
- Easily accessible front panel mount ON-OFF Switch.
- Ergonomically designed ice-storage access, with disappearing door.
- Routine Maintenance visible alarm light on front panel.
- It is easy for water system cleaning with One Touch cleaning button. (The SCOTSMAN cleaner is sold separately)
- Front access condenser air filter, removable and washable.
- CFC- free R-404A refrigerant.



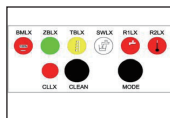
Proximity condenser air filter



Front ON-OFF Switch
Routine Maintenance Alarm



Hygienic scoop holder
Easy bin access



Advanced PC board with
One touch cleaning and
indicator lights

NU 220 Technologies



Model	Cooling System	24h Production				Storage capacity		Dimensions [WxDxH mm] 650x690x870
		21°C : 10°C	32°C : 21°C	[kg]	[lb]	[kg]	[lb]	
NU 220 AS	Air cooled	100	220	70	154	37	81	[WxDxH inches] 26" x 27" x 34"
NUH 220 AS	Air cooled	100	220	70	154	37	81	
NU 220 WS	Water cooled	n/a	n/a	n/a	n/a	n/a	n/a	[V/Hz/ph] 220/50/1
NUH 220 WS	Water cooled	n/a	n/a	n/a	n/a	n/a	n/a	

MEDIUM CUBE
10g



22×22×22mm

SMALL CUBE
5g



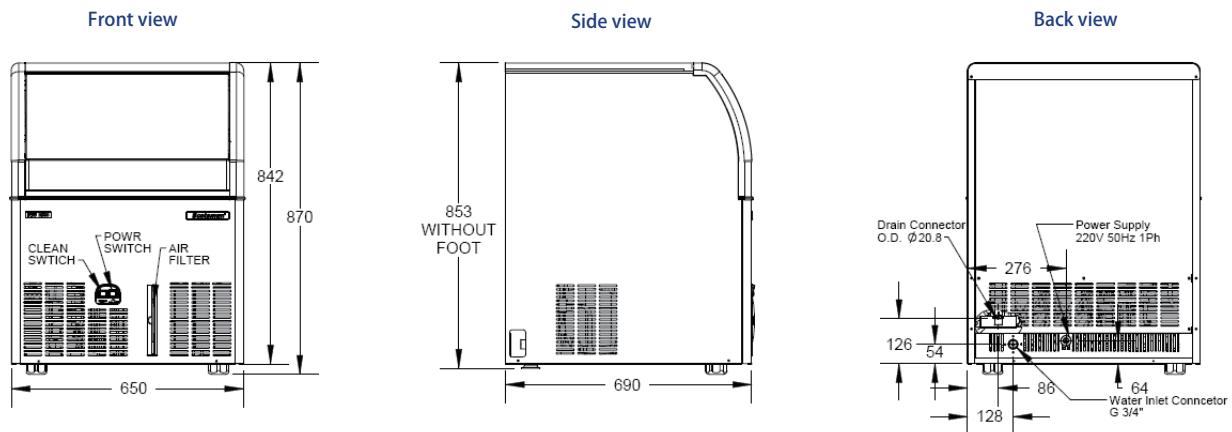
9,5×22×22 mm

This product qualifies for the following listings:



Self Contained Ice Machine up to 100 kg

The model with short legs



NU 220 Air cooled



Inlet water temperature

Air temperature °C / °F	Inlet water temperature				
	50° 10°	60° 15°	70° 21°	90° 32°	
10°	109	--	--	--	kg
50°	240	--	--	--	lb
21°	100	--	--	--	kg
70°	220	--	--	--	lb
32°	--	--	70	--	kg
90°	--	--	154	--	lb
38°	--	--	61	59	kg
100	--	--	134	130	lb



Air temperature



24h

Minimum	Maximum
10°C (50°F)	40°C (104°F)
5°C (41°F)	35°C (95°F)
-10%	+10%
1 bar 14 psi	5 bar 70 psi

Model	Compressor	Capacity	Water Inlet	Ice Output	Power	FUSE	Energy	Water	Weight
		[Btu/h] [W]	[Ømm ²]	[W]			[kWh] - 100 kg	[L] - 100 kg	[kg] [lb]
NU 220 AS		6140 1800	1,5	600	10A	18,7	159	65 143	70 154
NUH 220 AS		6140 1800	1,5	600	10A	18,7	159	65 143	70 154
NU 220 WS		n/a n/a	n/a	n/a	n/a	n/a	n/a	n/a n/a	n/a n/a
NUH 220 WS		n/a n/a	n/a	n/a	n/a	n/a	n/a	n/a n/a	n/a n/a

IMPORTANT NOTICE:
Models and specifications are subject to change without notice.
This spec sheet is meant for commercial purpose only.
For technical documentation please refer to our service manuals.

www.scotsman-ice.it
www.scotsman-china.com