

Modular Super-Flake Ice Machine up to 2500 kg

Other models in this range:
MF 46 - MF 47 - MF 56 - MF 57
MF 58 Split - MF 59 Split - MF 66
MF 68 Split - MF 69 Split
MF 88 SPLIT



Features

- Modular Superflake ice machine, production up to 2500 kg in 24 hours
- Semi-hermetic compressor
- Choice of air, water or remote air-cooled condensers
- Stainless steel auger and freezing cylinder (evaporator)
- Equipped with an electromechanical control panel
- Ice breaker made in specially strengthened alloy, allowing for greater extrusion pressure to deliver a dryer quality of ice (85% dry)
- Long-lasting stainless steel ball-bearings
- Current protection on gear motor and safety coupling between gear box and auger
- Low-water pressure switch
- Ice level thermostat for machine shut down
- Stainless steel side panels in scotch-brite finish, rounded corners for enhanced ease of cleaning and aesthetics
- Side panels are removable on all four sides to ease maintenance and after-sales service operations
- Top cover in PS
- Ice chute with extension in PS
- Reduced height to ease installation
- CFC Free R-404A Refrigerant

Optional Features (special order):

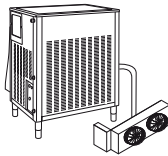
- Anti-scale, anti-algae water filtration system
- KICMAREXT0001 ice chute extension 90cm
- KICMARDOUBL02 double ice chute 65cm
- Infrared ice sensor
- KITTIMERSET01 weekly timer



ABS plastic cover



Standard Ice Chute included



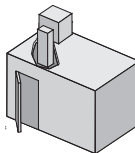
MF 86 ASR Remote Condenser



KICMAREXT Extension



MF 86+UBH2250
(sold separately)



MF 86+B3200
(sold separately)



MF 86+B4600
(sold separately)



MF 86+SIS1350
(sold separately)



MF 86+ITS2250
(sold separately)



MF 86+ITS2250/ITS3250
(sold separately)

MF 86 Technologies



	+C° -C°	24h		21°C: 15°C		W D H [WxDxH mm] 1080x780x1255
		[kg]	[lb]	[kg]	[lb]	
MF 86 AS		2500	5512	2250	4960	[WxDxH inches] 42 1/2 x 30 11/16 x 49 6/16
MF 86 WS		2500	5512	2250	4960	
MF 86 ASR	Remote Air	2400	5291	2250	4960	
		 [V/Hz/ph] 400/50/3N Version AS aircooled also available in 230/60/3		 R 404A		

This product qualifies for the following listings:



Residual umidity content 15%

Super-flake ice, extruded around 0° Celsius, retains only 15-18% of residual umidity, making it relatively dry and compact.

2 Years Warranty

Subject to certain limitations and exclusions

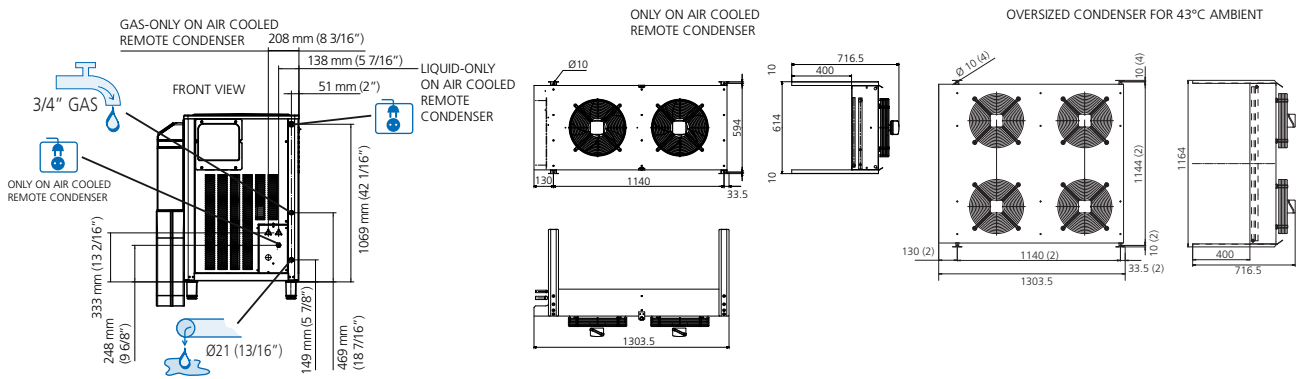
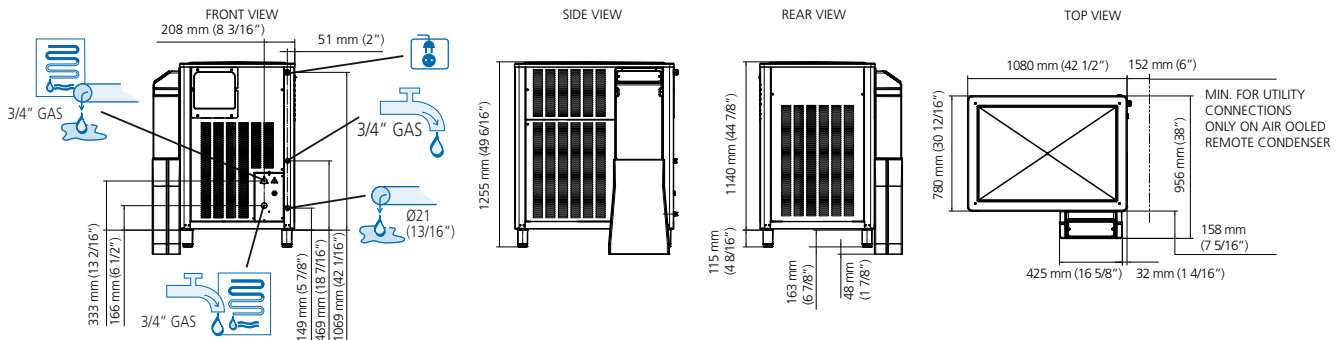
Certified ISO 9001:2008

www.scotsman-ice.it
www.scotsman-ice.com

Models and specifications are subject to change without notice.

Other models in this range:
 MF 46 - MF 47 - MF 56 - MF 57
 MF 58 Split - MF 59 Split - MF 66
 MF 68 Split - MF 69 Split
 MF 88 SPLIT

Modular Super-Flake Ice Machine up to 2500 kg



MF 86 AIR COOLED

°C °F	°C				kg
	50° 10°	60° 15°	70° 21°	90° 32°	
10°	2500	2330	2160	1820	kg
50°	5512	5137	4762	4012	lb
21°	2400	2250	2100	1800	kg
70°	5291	4960	4630	3968	lb
32°	2050	1950	1850	1650	kg
90°	4519	4299	4078	3638	lb
38°	1780	1710	1640	1500	kg
100	3924	3770	3616	3307	lb

MF 86 WATER COOLED

°C °F	°C				kg
	50° 10°	60° 15°	70° 21°	90° 32°	
10°	2500	2250	2050	1580	kg
50°	5512	4960	4519	3483	lb

Minimum 10°C (50°F)	Maximum 43°C (110°F)
5°C (41°F)	38°C (100°F)
-10%	+10%
1 bar 14 psi	5 bar 70 psi

	+C° -C° [Btu/h] [W]	[Ømm²]	[W]	FUSE	100 kg [kWh - 100 kg]		[l/h] [gal/h]		[kg] [lb]		[kg] [lb]	
					32°C 90°F	21°C 70°F	[kg]	[lb]	[kg]	[lb]		
MF 86 AS		34120 10000	5 x 2,5	6250	25 A	7,4	79 21	390 859	411 904			
MF 86 WS		34120 10000	5 x 2,5	6250	25 A	7,4	1750 462	371 816	392 862			
MF 86 ASR	Remote Air	34120 10000	5 x 2,5	6250	25 A	7,4	79 21	350 770	371 816			