

# MAR 126

## Modular Ice Machine up to 1000 kg

Item #:
Project:
Quantity:



### FEATURES

- Modular scale ice machine, production up to 1000 Kg in 24h (ø 2 mm. ice thickness only).
- Scale ice machine, in "compact system" version.
- Storage bin not supplied, to be purchased separately.
- AISI304 Stainless steel evaporator and ice scraper blade.
- Redesigned evaporator compartment end-walls.
- Foodgrade ABS plastic water sump tray, easy remove for cleaning and sanitising.
- Electromechanical control panel.



MAR 126  
Scale ice  
Residual water content 2%  
Thickness 1 o 2 mm

### CONDENSING SYSTEM

Air cooled  
Water cooled

### REFRIGERANT GAS

R404A

### VOLTAGE V/Hz/ph

230/60/3  
380/60/3N  
400/50/3N

### RECOMMENDED BINS

Head	Bins		kg
	Color	Model	
MAR 126	●	UBH1100	553
	●	UBH1600	812
	●	UBH2250	1068
	●	SIS700	318 + 73
	●	SIS1350	613 + 73 + 73

### LEGENDA:

- ✓ : Perfect combination between ice maker and bin
- : Ice chute cut-out performed upon installation
- CBTxxxxxxxx : need additional bin top

Certifications:



### OPERATING REQUIREMENTS

	Minimum	Maximum
Air temperature	10°C	43°C
Water temperature	5°C	38°C
Water pressure	1 bar (14 psi)	5 bar (70 psi)
Electrical voltage	-10%	+10%

**IMPORTANT NOTICE:**  
Models and specifications are subject to change without notice. This spec sheet is meant for commercial purpose only. For technical documentation please refer to our service manuals.

Download our free **App Scotsman Ice**  
Apple store  
Google play  
Windows store



[www.scotsman-ice.it](http://www.scotsman-ice.it)  
[www.scotsman-ice.com](http://www.scotsman-ice.com)

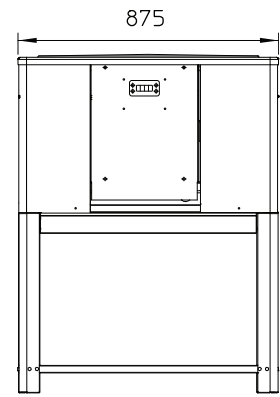
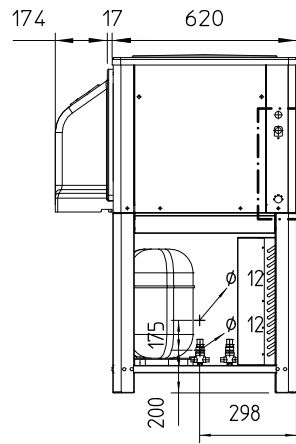
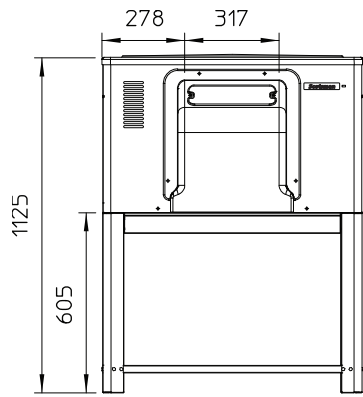
Modular Ice Machine up to 1000 kg

# MAR 126

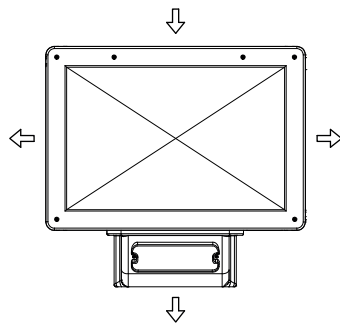
## Modular Ice Machine up to 1000 kg

Item #:
Project:
Quantity:

Modular Ice Machine up to 1000 kg

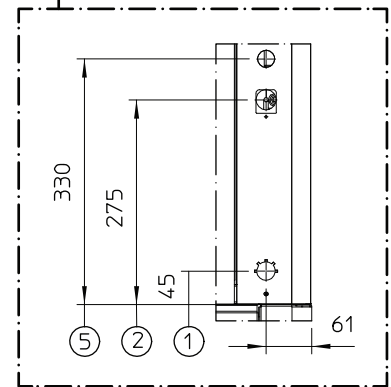


AIR FLOW



UNIT OF MEASUREMENT: mm

1. 13/16" OD - OVERFLOW DRAIN
2. 3/4" GAS - WATER INLET
3. 3/4" GAS - WATER OUTLET  
WATER COOLED UNIT ONLY
4. 3/4" GAS - WATER INLET  
WATER COOLED UNIT ONLY
5. CORD SET



UNIT DATA		Compressor		Circuit wires		Max. fuse size		
		Version	Voltage	Btu/h	W	No.	Ømm <sup>2</sup>	A
Size (W x D x H)	906 x 636 x 1125 mm	MAR 126 AS	400/50/3N	18767	5500	5	2.5	16
Net weight	211 kg	MAR 126 WS	400/50/3N	18767	5500	5	2.5	16
SHIPPING DATA		MAR 126 AS	230/60/3	18767	5500	4	2.5	16
		MAR 126 AS	380/60/3N	18767	5500	5	2.5	16
Carton (W x D x H)	980 x 740 x 1230 mm							
Weight	228 kg							

Version	Condensation	Voltage	24 h ice production kg °C Amb. / °C Water			Energy consumption*		Water usage* l/h	Instant power W
			10°C/10°C	21°C/10°C	32°C/21°C	kWh/100 kg	kWh/24h		
MAR 126 AS	Air	400/50/3N	1000	1000	780	12.8	100.0	32.5	4500
MAR 126 WS	Water	400/50/3N	1000	1000	780	12.8	100.0	333.3	4500
MAR 126 AS	Air	230/60/3	1000	1000	780	12.8	100.0	32.5	9000
MAR 126 AS	Air	380/60/3N	1000	1000	780	12.8	100.0	32.5	4500

(\*) Data refer to 32°C Amb. / 21°C Water temperature conditions