

# MAR 206

## Modular Ice Machine up to 1580 kg

Item #:
Project:
Quantity:



### FEATURES

- Modular scale ice machine, production up to 1850 kg in 24 h (ø 1 mm. ice thickness).
- Scale ice machine, in "compact system" version; built-in unit.
- Storage bin not supplied, to be purchased separately.
- AISI304 stainless steel evaporator and ice scraper blade.
- Redesigned evaporator compartment end-walls.
- Electromechanical control panel.
- Electrical protections, rotation speed & reverse phase controls.



MAR 206  
Scale ice  
Residual water content 2%  
Thickness 1 o 2 mm

### CONDENSING SYSTEM

Air cooled  
Water cooled

### RECOMMENDED BINS

Head	Bins		kg
MAR 206	●	UBH1600	812
	●	UBH2250	1068
	●	SIS1350	613 + 73 + 73

### REFRIGERANT GAS

R404A

### VOLTAGE V/Hz/ph

230/60/3  
380/60/3N  
400/50/3N

### LEGENDA:

- ✓ : Perfect combination between ice maker and bin
- : Ice chute cut-out performed upon installation
- CBTxxxxxxxx : need additional bin top

Certifications:



### OPERATING REQUIREMENTS

	Minimum	Maximum
Air temperature	10°C	43°C
Water temperature	5°C	38°C
Water pressure	1 bar (14 psi)	5 bar (70 psi)
Electrical voltage	-10%	+10%

**IMPORTANT NOTICE:**  
Models and specifications are subject to change without notice. This spec sheet is meant for commercial purpose only. For technical documentation please refer to our service manuals.

Download our free **App Scotsman Ice**  
Apple store  
Google play  
Windows store



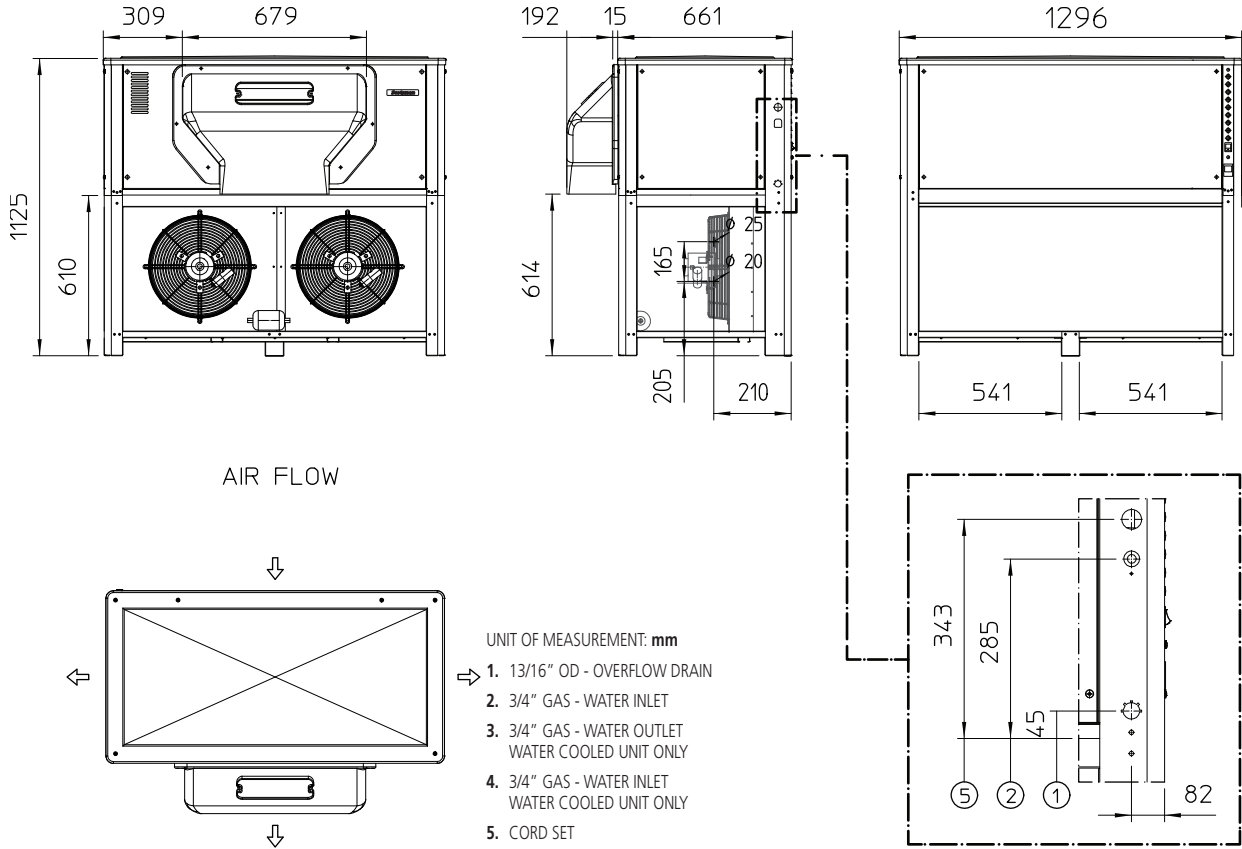
[www.scotsman-ice.it](http://www.scotsman-ice.it)  
[www.scotsman-ice.com](http://www.scotsman-ice.com)

Modular Ice Machine up to 1580 kg

# MAR 206

Modular Ice Machine up to 1580 kg

Item #:
Project:
Quantity:



Modular Ice Machine up to 1580 kg

UNIT DATA			Compressor		Circuit wires		Max. fuse size
	Version	Voltage	Btu/h	W	No.	Ømm <sup>2</sup>	A
Size (W x D x H)	1326 x 676 x 1125 mm						
Net weight	330 kg						
SHIPPING DATA							
	Carton (W x D x H)	1410 x 790 x 1250 mm					
	Weight	353 kg					

Version	Condensation	Voltage	24 h ice production kg			Energy consumption*		Water usage*	Instant power
			10°C/10°C	21°C/10°C	32°C/21°C	kWh/100 kg	kWh/24h		
MAR 206 AS	Air	400/50/3N	1580	1540	1300	10.8	140.0	54.2	5400
MAR 206 WS	Water	400/50/3N	1580	1540	1300	10.8	140.0	416.7	5400
MAR 206 AS	Air	230/60/3	1580	1540	1300	10.8	140.0	54.2	5400
MAR 206 WS	Water	230/60/3	1580	1540	1300	10.8	140.0	416.7	5400
MAR 206 AS	Air	380/60/3N	1580	1540	1300	10.8	140.0	54.2	5400

(\*) Data refer to 32°C Amb. / 21°C Water temperature conditions