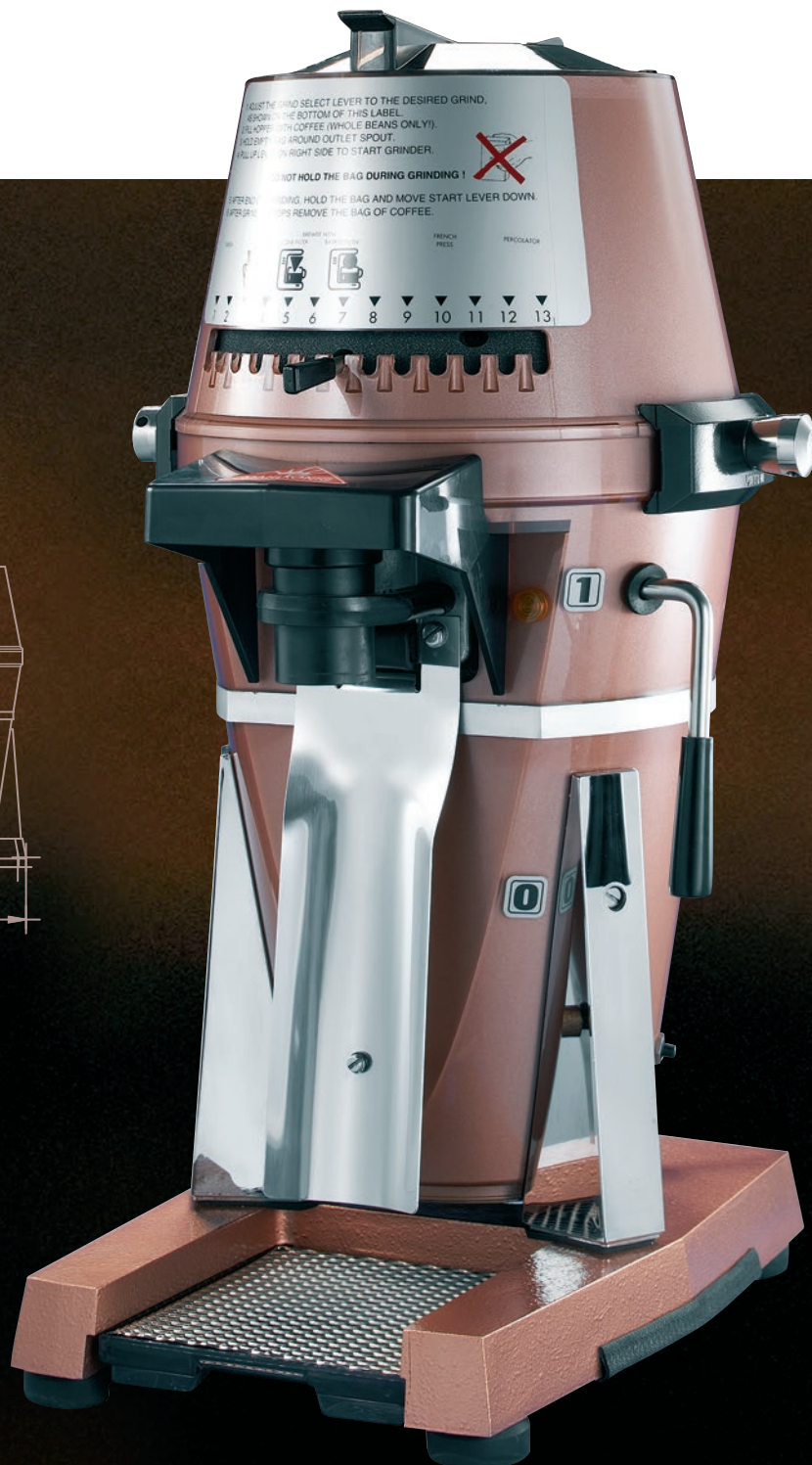


VTA 6S

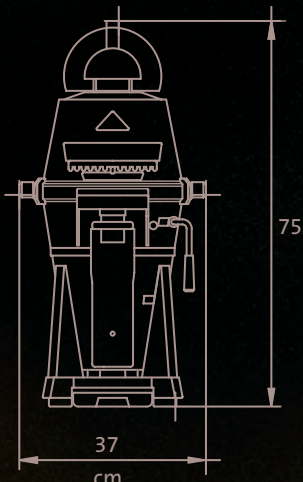
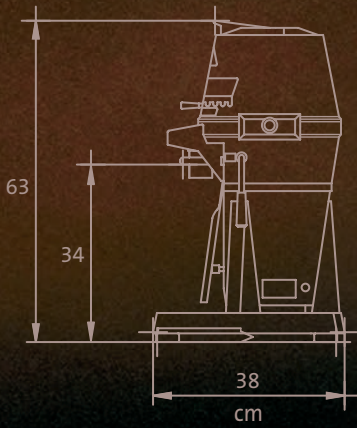
“The most powerful shop grinder”



ADJUST THE GRIND SELECT LEVER TO THE DESIRED GRIND.
REPORT ON THE BOTTOM OF THIS LABEL.
FILL HOOPER WITH COFFEE (WHOLE BEANS ONLY).
HOLD BAG TIGHT AROUND OUTLET SPOUT.
PULL PLATE DOWN ON RIGHT SIDE TO START GRINDER.
DO NOT HOLD THE BAG DURING GRINDING!
AFTER END OF GRINDING, HOLD THE BAG AND MOVE START LEVER DOWN.
AFTER GRINDING STOP REMOVE THE BAG OF COFFEE.

GRIND SELECT LEVER: 1 2 3 4 5 6 7 8 9 10 11 12 13

GRIND SETTINGS: FRENCH PRESS, PERCOLATOR



VTA 6S

The most powerful shop grinder:

- superb coffee quality because of extra fine and homogeneous grinding – as well for espresso and Turkish fine quality
- cool grinding due to integrated motor cooling or additional ventilation as an option

High capacity:

- high speed and reliable grinding up to 2750 g per minute

Proven design:

- classic MAHLKÖNIG design, symbolises quality and consistency
- grinder housing available in any colour

Extras:

- different grinding discs for regular coffee (standard), torrefacto and Turkish fine available
- fast removable upper part allows easy cleaning
- large hopper
- raised outlet height, foot extension and frequency converter
- tungsten carbide discs offer up to ten times longer life time
- also available in self-service version

Type:	VTA 6S	VTA 6S FC	VTA 6ST	VTA 6ST FC	VTA 6SW	VTA 6SH FC	VTA 6S HMVC
TECHNICAL DATA							
Grinding capacity* - fine g/min	2500	1600	1500	989	1400	1600	2500
- medium	2750	1700	1800	1050	1600	1700	2750
- turkish fine			1000	850			
Hopper capacity, g (lbs)	1000 (2.2)	1000 (2.2)	1000 (2.2)	1000 (2.2)	1000 (2.2)	1000 (2.2)	3000 (6.6)
Dimensions, cm (W x H x D)	37 x 63 x 38	37 x 63 x 38	37 x 63 x 38	37 x 63 x 38	37 x 63 x 38	37 x 78 x 38	37 x 78 x 38
Voltage / Frequencies**	400V/50Hz	230V/50Hz	400V/50Hz	230V/50Hz	230V/50Hz	230V/50Hz	400V/50Hz
Motor rating, watts	2100	1500	2100	1500	1720	1500	2100
Overload protection	●	●	●	●	●	●	●
Phase	3~	1~	3~	1~	1~	1~	3~
Grinding disc tungsten carbide	○	○	○	○		●	●
Grinding disc diameter	120 mm	120 mm	120 mm	120 mm	120 mm	120 mm	120 mm
Net weight, kg (lbs)	42 (92.6)	45 (99.2)	42 (92.6)	45 (99.2)	42 (92.6)	45 (99.2)	45 (99.2)
EQUIPMENT FEATURES							
Finger protection/Hopper magnet	●	●	●	●	●	●	●
Bag holder							
Clamping / Vibrating sheet	●	●	●	●	●	●	
or Tip operation / Vibrating basket	●	●	●	●		●	●
Colours							
gold / silver / copper-bronze	●	●	●	●	●	●	●
grey-red structured	●	●	●	●	●	●	●
SPECIAL FEATURES							
Large hopper up to 3 kg (6.6 lbs)	○	○	○	○	○	○	●
Raised outlet height, 100 mm	○	○	○	○	○	○	●
Ventilation	○	○	○	○	○	○	●
Frequency converter	○	●	○	●		●	
cast steel (1), steel (2) tungsten carbide (3)	(1) (2) (3)	(2) (3)	(2) (3)	(2) (3)	(2)	(3)	(3)
Colours according to RAL-standard	○	○	○	○	○	○	○

● standard ○ on request * grinding capacity depending on the type of coffee, the roast and the degree of fineness ** other voltages on request