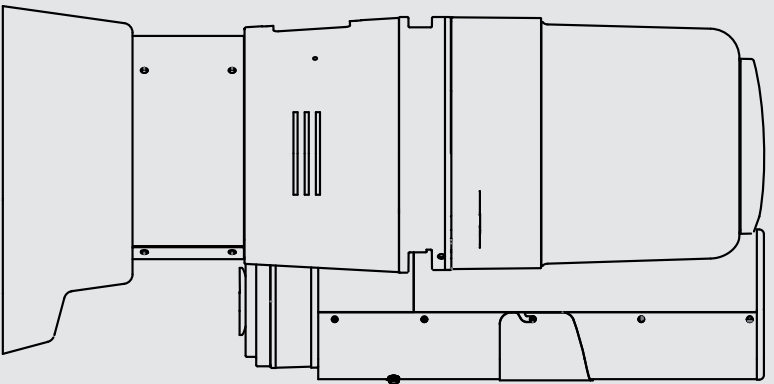


# parts catalog vulcano swift



V1.1



**la marzocco**  
handmade in florence





**la marzocco**  
handmade in florence

## INDEX

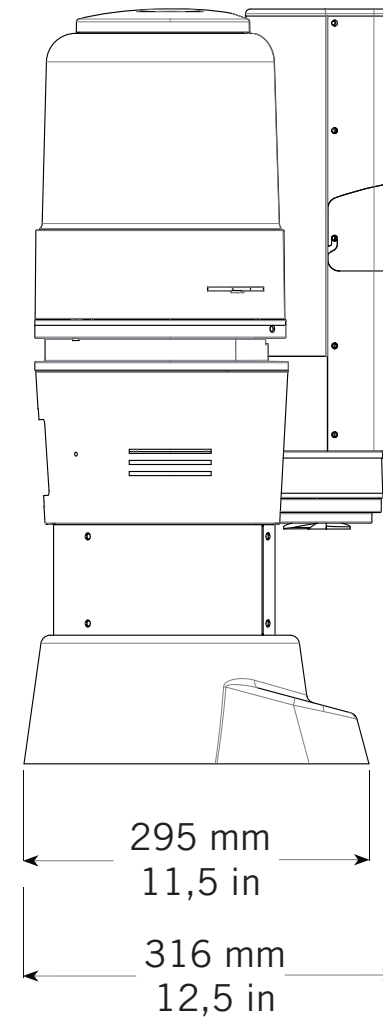
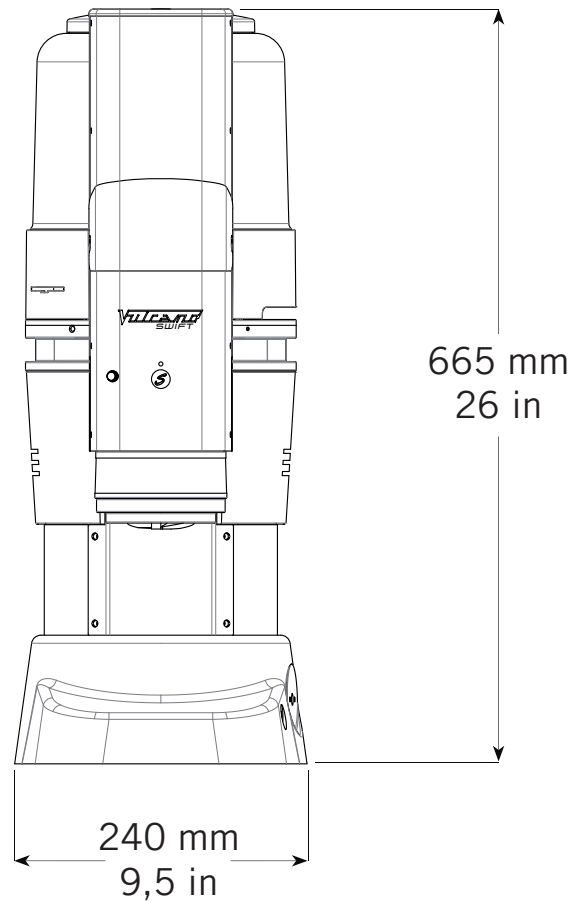
		Pag.	Ver.
Specifications	Caratteristiche Tecniche	4	1.1
Vulcano Swift Assembly	Vulcano Swift	6	1.1
Tower Section Assembly	Sezione Torre	14	1.1



la marzocco

handmade in florence

# SPECIFICATIONS





**la marzocco**

handmade in florence

# SPECIFICATIONS

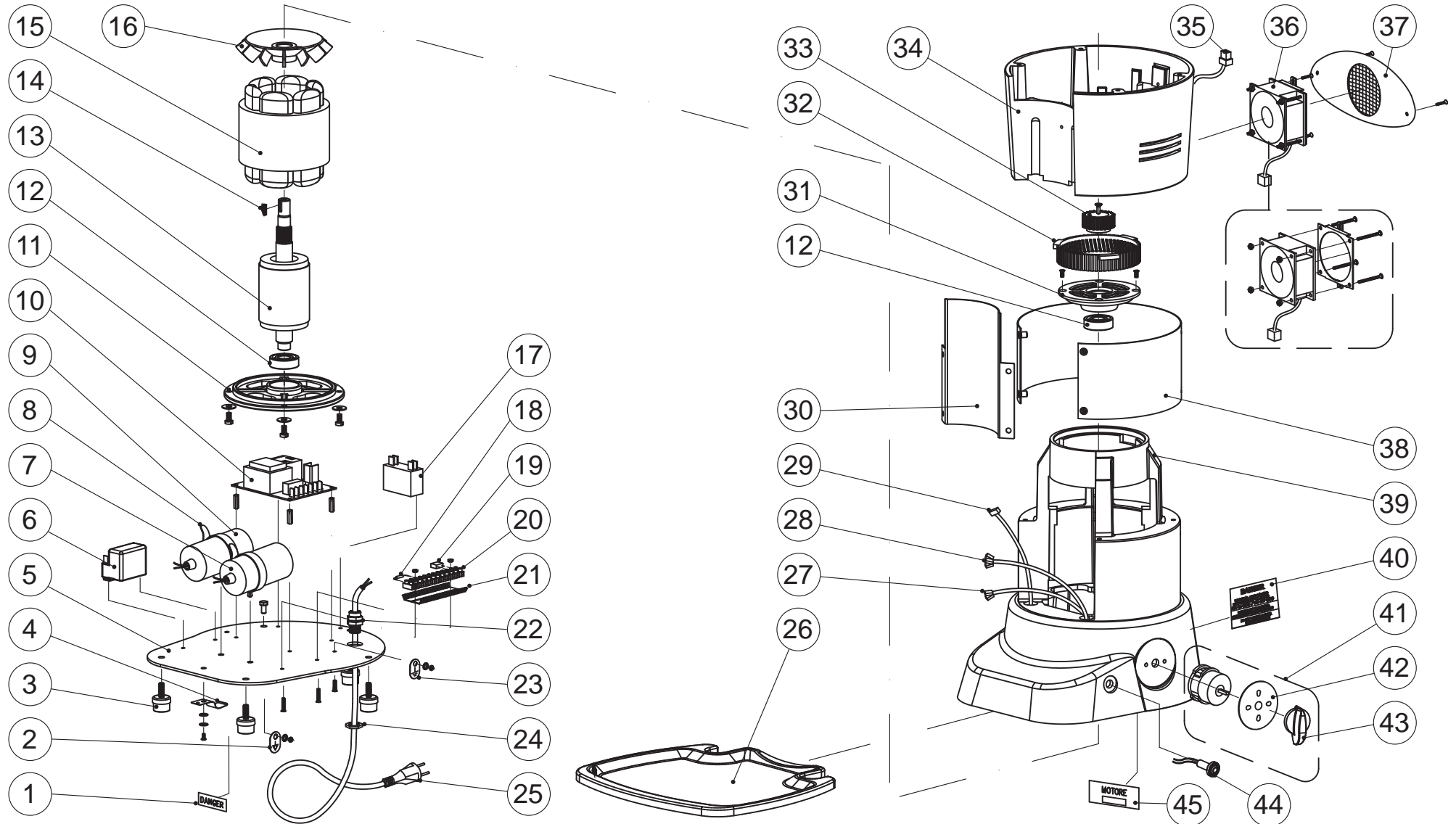
<b>Caratteristiche Tecniche</b>	Width	mm	240
		in	9,5
	Height	mm	665
		in	26
	Depth	mm	295
		in	11,5
	Machine weight	Kg	27
		lb	59,5
	Shipping weight	Kg	28,5
		lb	62,83
	Hopper	Kg	1,5
		lb	3,31
	Electrical Voltage	VAC	110VAC Single Phase
			220-240VAC Single Phase
380VAC Three Phase			
Total Wattage	W	500 Watts	
Grinding Cycle	On demand (time controlled)		
Grinder Burrs	Conical (Mazzer-made)		



la marzocco

handmade in florence

# VULCANO SWIFT ASSEMBLY





la marzocco

handmade in florence

# VULCANO SWIFT ASSEMBLY

Vulcano Swift

1	M.1.037	"DANGER" LABEL	ETICHETTA "DANGER"	VERS. 110V/60HZ VERS. 220V/60HZ
2	M.1.094	"EXTERNAL EQUIPOTENTIAL CLAMP" PLATE	TARGA "MORSETTO EQUIPOTENZIALE ESTERNO"	VERS. CE
3	M.1.096	FOOT DD2015H	PIEDINO DD2015H	
4	M.1.093	SHEET FOR DRIP TRAY LOCKING	LAMELLA FERMA PIATTINO	
5	M.1.292	VULCANO SWIFT BOTTOM PLATE	PIASTRA DI BASE VULCANO SWIFT	
6a	M.1.086	RELÈ "TEXAS" 4CR1-625	DISGIUNTORE "TEXAS" 4CR1-625	VERS. 220-230V/50HZ
6b	M.1.087	RELÈ "TEXAS" 4CR1-630	DISGIUNTORE "TEXAS" 4CR1-630	VERS. 230-240V/50HZ VERS. 240V/50HZ
6c	M.1.088	RELÈ "TEXAS" 4CR1-640	DISGIUNTORE "TEXAS" 4CR1-640	VERS. 220V/60HZ
6e	M.1.090	RELÈ "TEXAS" 4CR1-690	DISGIUNTORE "TEXAS" 4CR1-690	VERS. 110V/60HZ VERS. 110V/50HZ
7a	M.1.116	CAPACITOR 10 F	CONDENSATORE 10 F	VERS. 220V/60Hz VERS. 220-230V/50Hz VERS. 230-240V/50Hz VERS. 240V/50Hz
7b	M.1.117	CAPACITOR 30 F UL	CONDENSATORE 30 F UL	VERS. 110V/60Hz
8	M.1.278	STRAP RELF 170 BLACK	FASCETTA SBLOCCABILE RELF 170 NERA	
9a	M.1.114	CAPACITOR 12,5 F	CONDENSATORE 12,5 F	VERS. 220V/60HZ VERS. 220-230V/50HZ VERS. 230-240V/50HZ VERS. 240V/50HZ
9b	M.1.115	CAPACITOR 40 F UL	CONDENSATORE 40 F UL	VERS. 110V/60HZ
10a	M.1.290	VULCANO SWIFT POWER BOARD 220-240-50-60	SCHEDA POT. VULCANO SWIFT 220-240/50-60	220V/60HZ 220-230V/50HZ 230-240V/50HZ 240V/50HZ
10b	M.1.291	VULCANO SWIFT POWER BOARD 100-115/50-60	SCHEDA POT. VULCANO SWIFT 100-115/50-60	VERS. 110V/60HZ
11	M.1.277	SUPER JOLLY – KONY MOTOR CAP	CALOTTA MOTORE SUPER JOLLY – KONY	
12	M.1.018	BEARING 6202 DDU CM	CUSCINETTO 6202 DDU CM	
13	M.1.081	KONY ROTOR	ROTORE KONY	
14	M.1.074	KEY 4X4X14 UNI 6604 A	CHIAVETTA 4X4X14 UNI 6604 A	
<b>Item</b>	<b>Part number/Codice</b>	<b>Description</b>	<b>Descrizione</b>	<b>Notes / Note</b>



la marzocco

handmade in florence

# VULCANO SWIFT ASSEMBLY

Vulcano Swift

15a	M.1.274	COILED STATOR SINGLE PHASE 220-240V/50HZ	STATORE AVVOLTO MONOFASE 220-240V/50HZ	VERS. 220-230V/50HZ VERS. 230-240V/50HZ VERS. 240V/50HZ
15b	M.1.275	COILED STATOR SINGLE PHASE 110V/60HZ	STATORE AVVOLTO MONOFASE 110V/60HZ	VERS. 110V/60Hz
15c	M.1.276	COILED STATOR SINGLE PHASE 220V/60HZ	STATORE AVVOLTO MONOFASE 220V/60HZ	VERS. 220V/60HZ
16	M.1.289	KONY COOLING FAN	VENTOLA KONY	
17a	E.2.043	CAPACITOR 2,5 F	CONDENSATORE 2,5 F	VERS. 220V/60Hz VERS. 220-230V/50Hz VERS. 230-240V/50Hz VERS. 240V/50Hz
17b	E.2.044	CAPACITOR 8 F	CONDENSATORE 8 F	VERS. 110V/60Hz
18a	M.1.111	LOAD RESISTOR 220 KILO-OHM 2 WATT	RESISTENZA 220 KILO-OHM 2 WATT	VERS. 220V/60Hz VERS. 220-230V/50Hz VERS. 230-240V/50Hz VERS. 240V/50Hz
18b	M.1.112	LOAD RESISTOR 68 KILO-OHM 2 WATT	RESISTENZA 68 KILO-OHM 2 WATT	VERS. 110V/60Hz
19	M.1.110	INTERFERENCE SUPPRESSION CAPACITOR	CONDENSATORE ANTIDISTURBI	VERS. 220V/60Hz VERS. 220-230V/50Hz VERS. 230-240V/50Hz VERS. 240V/50Hz
20	M.1.108	TERMINAL BLOCKS	MORSETTIERA	12 POLES / 12 POLI
21	M.1.109	UNDER TERMINAL BOARD	SOTTOMORSETTIERA	12 POLES / 12 POLI
22	M.1.113	CABLE LOCKING NSK-K PG11 BLACK	PASSACAVO NSK-K PG11 NERO	
23	M.1.107	"GROUND" PLATE	TARGA "TERRA"	
24	M.1.095	NUT FOR CABLE LOCKING PG11	DADO POLIAMMIDE PG11 NERO	
25a	M.1.098	ELECTRICAL CABLE – ITALY	CAVO ELETTRICO - ITALIA	
25b	M.1.098	ELECTRICAL CABLE – EUROPE	CAVO ELETTRICO - EUROPA	
25c	M.1.099	ELECTRICAL CABLE – USA	CAVO ELETTRICO - AMERICA	
<b>Item</b>	<b>Part number/Codice</b>	<b>Description</b>	<b>Descrizione</b>	<b>Notes / Note</b>





**la marzocco**

handmade in florence

# VULCANO SWIFT ASSEMBLY

**Vulcano Swift**

25d	M.1.100	ELECTRICAL CABLE – AUSTRALIA	CAVO ELETTRICO - AUSTRALIA	
25e	M.1.101	ELECTRICAL CABLE – GREAT BRITAIN	CAVO ELETTRICO - GRAN BRETAGNA	
25f	M.1.102	ELECTRICAL CABLE – ISRAEL	CAVO ELETTRICO - ISRAELE	
25g	M.1.103	ELECTRICAL CABLE – SWITZERLAND	CAVO ELETTRICO - SVIZZERA	
25h	M.1.104	ELECTRICAL CABLE – CHINA	CAVO ELETTRICO - CINA	
25i	M.1.105	ELECTRICAL CABLE – ARGENTINA	CAVO ELETTRICO - ARGENTINA	
25j	M.1.106	ELECTRICAL CABLE – KOREA	CAVO ELETTRICO - COREA	
25k	M.1.293	ELECTRICAL CABLE – BRAZIL	CAVO ELETTRICO - BRASILE	
26	M.1.059	S.JOLLY-MAJOR-KONY DRIP TRAY	PIATTINO S.JOLLY-MAJOR-KONY	
27	M.1.287	CONNECTION CABLE FOR FILTER SWITCH	CAVO CONNESSIONE MICRO PRESENZA COPPA	
28	M.1.286	CONNECTION CABLE FOR TAMPER MOTOR	CAVO CONNESSIONE MOTORE TORRE	
29	M.1.285	CONNECTION CABLE FOR PUSH BUTTON BOARD	CAVO CONNESSIONE SCHEDA PULSANTE	
30	M.1.271	MOTOR COVER FOR VULCANO SWIFT	FRONTALE COPRI MOTORE VULCANO SWIFT	
31	M.1.213	BEARING HOLDER-DISK KONY	DISCO PORTACUSCINETTO KONY	
32	M.1.212	REDUCTION CROWN	CORONA RIDUZIONE PLANETARIA	
33	M.1.051	REDUCTION PLANET	PIANETA RIDUZIONE PLANETARIA	
34	M.1.270	BODY FOR VULCANO SWIFT	CORPO CORPO VULCANO SWIFT	
35	M.1.028	CONNECTION CABLE FOR FAN (AUT)	CAVO CONNESSIONE VENTOLA (AUT)	
36	M.1.029	FAN 60X60 – WIRED WITH FRAME	VENTILATORE 60X60 CABLATO CON SUPPORTO	
37	D.4.003	FILTER FOR VULCANO ON DEMAND	FILTRO VENTOLA VULCANO	
38	M.1.272	COVER FOR VULCANO SWIFT	MANTELLINO VULCANO SWIFT	
39	M.1.273	VULCANO SWIFT BASE AND INNER BODY	ASSIEME CASTELLO VULCANO SWIFT	
40	M.1.037	“DANGER” PLATE	TARGA “DANGER”	VERS. 110V/60Hz
<b>Item</b>	<b>Part number/Codice</b>	<b>Description</b>	<b>Descrizione</b>	<b>Notes / Note</b>



**la marzocco**

handmade in florence

# VULCANO SWIFT ASSEMBLY

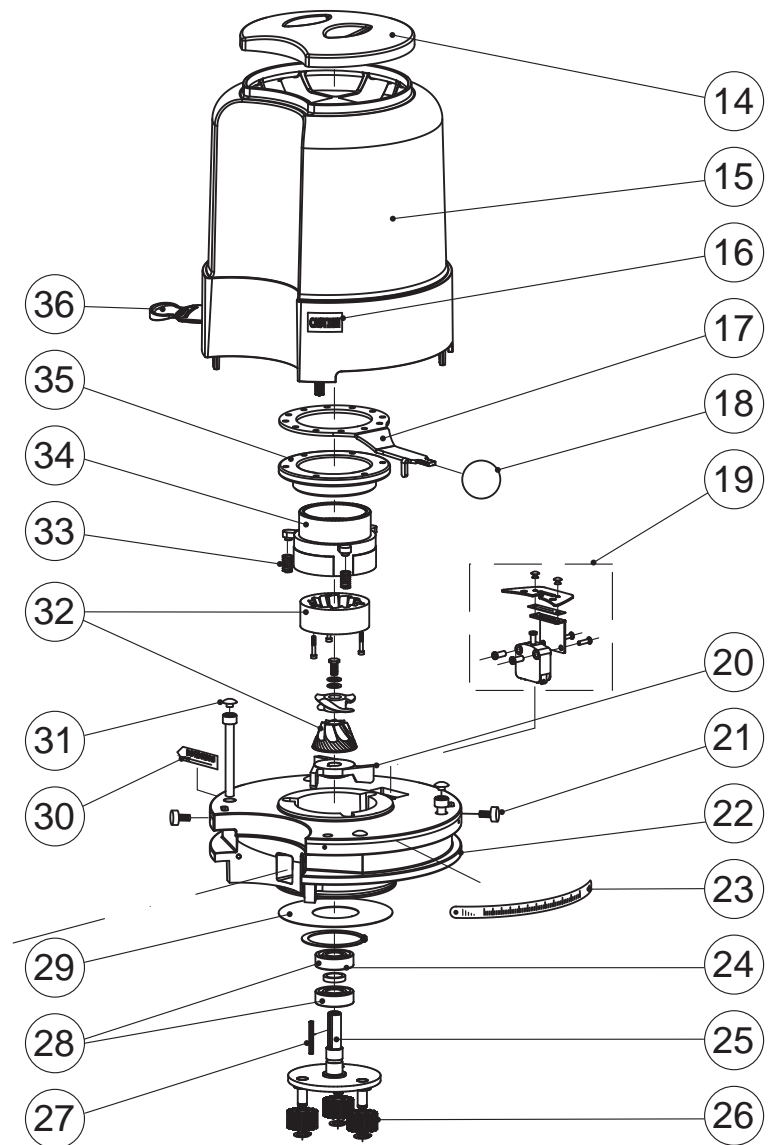
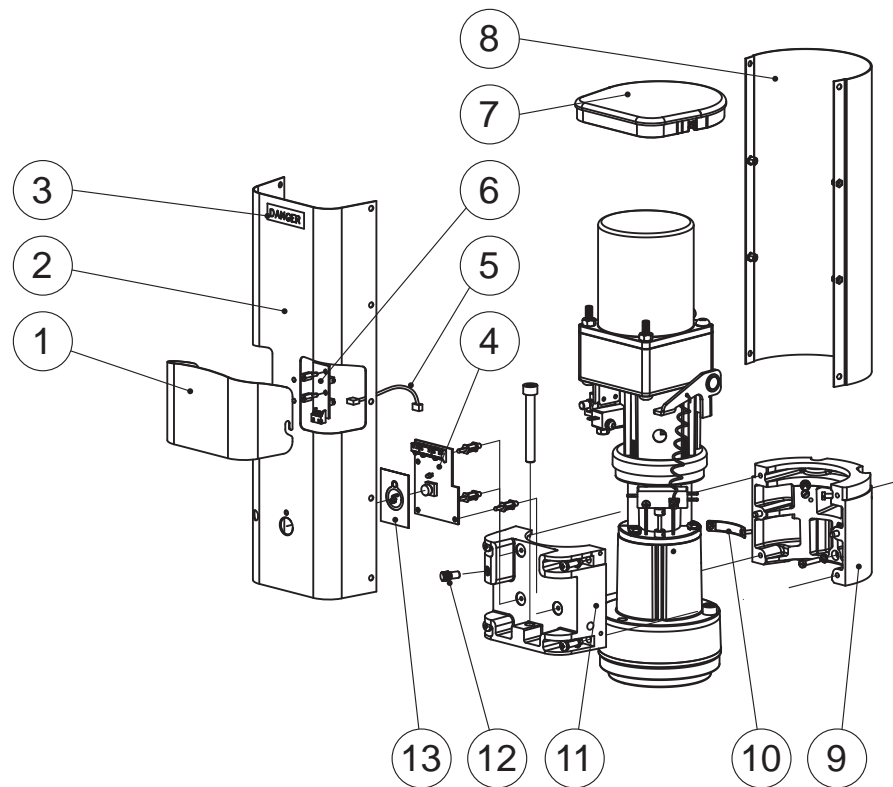
Vulcano Swift	Item	Part number/Codice	Description	Descrizione	Notes / Note
	41a	M.1.224	TWO POLE ROTATIVE SWITCH	INTERRUTTORE ROTATIVO BIPOLARE	SINGLE PHASE / MONOFASE
	41b	M.1.225	THREE POLE ROTATIVE SWITCH	INTERRUTTORE ROTATIVO TRIPOLARE	THREE PHASE / TRIFASE
	42	M.1.288	SWITCH PLATE O / I	TARGA INTERRUTTORE O / I	
	43	M.1.066	ROTATIVE SWITCH KNOB	MANOPOLINA INTERRUTTORE	
	44a	M.1.067	PILOT LIGHT 230/400V, GREEN	LAMPADINA SPIA 230/400V, VERDE	VERS. 220V/60HZ VERS. 220-230V/50HZ VERS. 230-240V/50HZ VERS. 240V/50HZ
	44b	M.1.070	PILOT LIGHT 110V UL, RED	LAMPADINA SPIA 110V UL, ROSSA	VERS. 110V/60HZ
	45		MOTOR LABEL	ETICHETTA MOTORE	



la marzocco

handmade in florence

# VULCANO SWIFT ASSEMBLY





la marzocco

handmade in florence

# VULCANO SWIFT ASSEMBLY

Vulcano Swift

1	M.1.281	TOWER DOOR	SPORTELLINO TORRE	
2	M.1.280	TOWER FRONT COVER	COPERTURA FRONTALE TORRE PRESSANTE	
3	M.1.037	"DANGER" LABEL	ETICHETTA "DANGER"	VERS. 110V/60HZ VERS. 220V/60HZ
4	M.1.296	PUSH BUTTON BOARD	SCHEDA PULSANTE	
5	M.1.295	CONNECTION CABLE FOR TRIMMERS BOARD	CAVO CONNESSIONE SCHEDA TRIMMER	
6	M.1.294	TRIMMERS BOARD	SCHEDA TRIMMER	
7	M.1.279	TOWER LID	COPERCHIO TORRE PRESSANTE	
8	M.1.282	TOWER BACK COVER	COPERTURA POSTERIORE TORRE PRESSANTE	
9	M.1.283	INTERNAL JAW	GANASCIA INTERNA	
10	M.1.299	VULCANO SWIFT GRID	RETINA PASSAGGIO CAFFÈ VULCANO SWIFT	
11	M.1.284	EXTERNAL JAW	GANASCIA ESTERNA	
12	M.1.298	PLUG HOLE FOR COFFEE OUTLET CLEANING	TAPPO FORO PULIZIA BOCCHETTA	
13	M.1.297	ADHESIVE MEMBRANE VULCANO SWIFT	MEMBRANA PULSANTE VULCANO SWIFT	
14	M.1.267	VULCANO SWIFT HOPPER COVER	COPERCHIO CAMPANA VULCANO SWIFT	
15	M.1.268	COMPLETE VULCANO SWIFT HOPPER SET	ASSIEME CAMPANA VULCANO SWIFT	
16	M.1.083	"CAUTION-HOPPER" LABEL	ETICHETTA "CAUTION-HOPPER"	VERS. 110V/60HZ VERS. 220V/60HZ
17	M.1.007	ADJUSTMENT LEVER FOR VULCANO	LEVA DI REGOLAZIONE VULCANO	
18	M.1.006	BALL GRIP FOR ADJUSTMENT LEVER	POMOLO LEVA DI REGOLAZIONE	
19	M.1.021	SAFETY MICROSWITCH	MICROINTERRUTTORE DI SICUREZZA CAMPANAV	
20a	M.1.013	LOWER GRINDING BLADE HOLDER KONY SINGLE PHASE	PORTAMACINE INFERIORE KONY MONOFASE	SINGLE PHASE / MONOFASE
20b	M.1.205	LOWER GRINDING BLADE HOLDER KONY 3 PHASE	PORTAMACINE INFERIORE KONY TRIFASE	THREE PHASE / TRIFASE
21	M.1.022	CHECK PIN FOR HOPPER FOR VULCANO	PERNO BLOCCA CAMPANA VULCANO	
22	M.1.269	VULCANO SWIFT BODY-HEAD	TESTA VULCANO SWIFT	
23	M.1.024	GRINDING ADJUSTMENT INDICATOR	INDICE REGOLAZIONE MACINATURA VULCANO	
<b>Item</b>	<b>Part number/Codice</b>	<b>Description</b>	<b>Descrizione</b>	<b>Notes / Note</b>



la marzocco

handmade in florence

# VULCANO SWIFT ASSEMBLY

Vulcano Swift

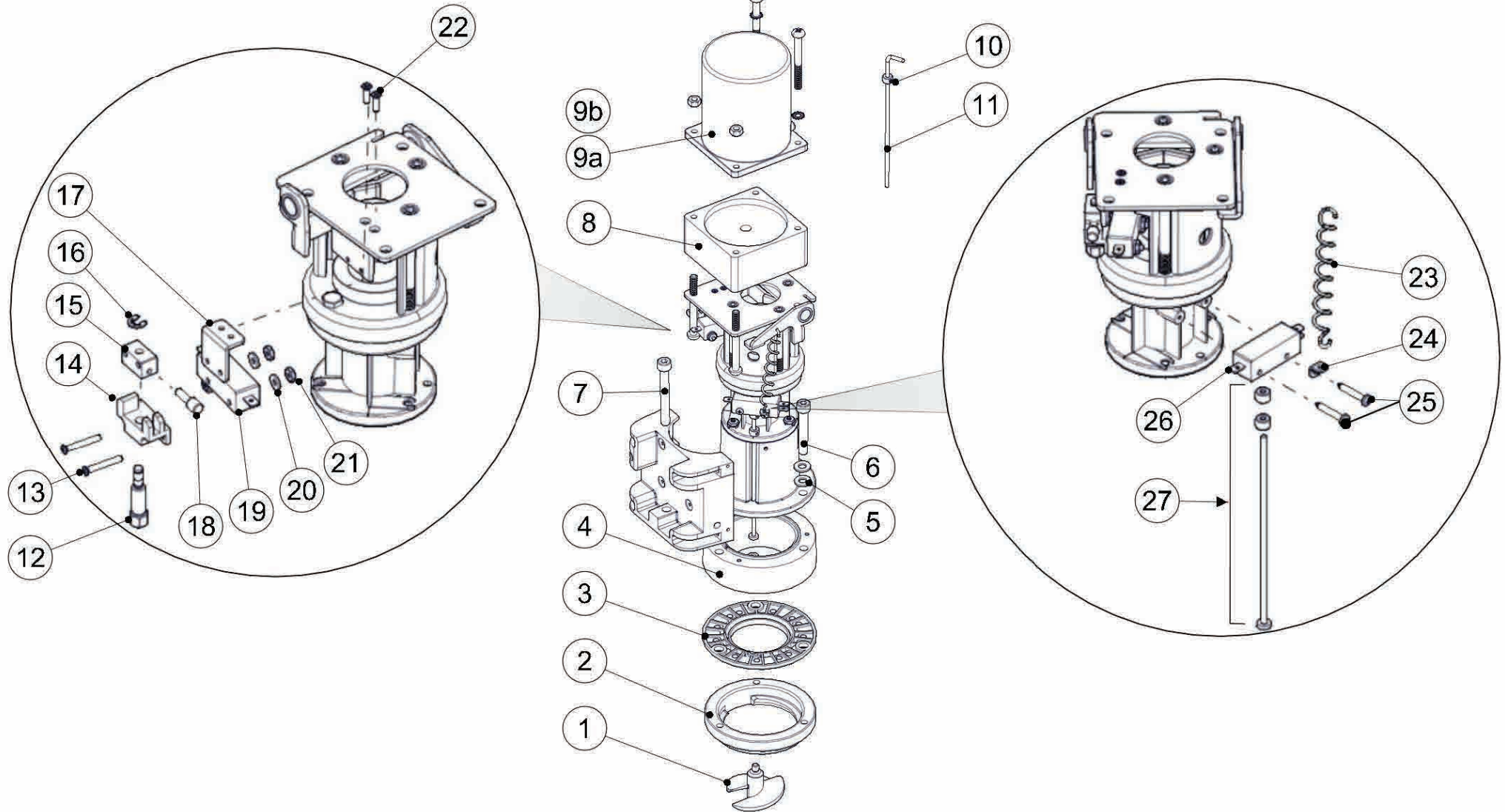
24	M.1.019	THICKNESS PLANETARY SHAFT	SPESSORE ALBERO RIDUZIONE PLANETARIA	
25a	M.1.026	SHAFT WITH 3 PIVOTS FOR SIGLE PHASE KONY	ALBERO CON 3 PERNI KONY MONOFASE	
25b	M.1.209	SHAFT WITH 3 PIVOTS FOR 3 PHASE KONY	ALBERO CON 3 PERNI KONY MONOFASE	
26	M.1.027	REDUCTION SATELLITE	SATELLITE RIDUZIONE PLANETARIA	
27	M.1.020	KEY 3X3X30 UNI 6604 A	CHIAVETTA 3X3X30 UNI 6604 A	
28	M.1.018	BEARING 6202 DDU CM	CUSCINETTO 6202 DDU CM	
29	M.1.017	DISC TO CLOSE KONY BODY-HEAD	DISCO CHIUSURA TESTA KONY	
30	M.1.015	"MOTOR ROTATION" LABEL	ETICHETTA "ROTAZIONE MOTORE"	
31	M.1.014	CAP FOR TCE M6 SCREWS	CAPPUCCIO VITI TCE M6	
32a	M.1.011	CONICAL GRINDING BLADE SET 191C	COPPIA DI MACINE CONICHE(RIF. 191C)	SINGLE PHASE / MONOFASE
32b	M.1.202	CONICAL GRINDING BLADE SET 191C	COPPIA DI MACINE CONICHE(RIF. 191C)	THREE PHASE / TRIFASE
33	M.1.300	GRINDING ADJUSTMENT SPRING	MOLLA REGOLAZIONE MACINATURA	
34a	M.1.009	UPPER GRINDING BLADE HOLDER KONY SINGLE PHASE	PORTAMACINE SUPERIORE KONY MONOFASE	SINGLE PHASE / MONOFASE
34a	M.1.201	UPPER GRINDING BLADE HOLDER KONY 3 PHASE	PORTAMACINE SUPERIORE KONY TRIFASE	THREE PHASE / TRIFASE
35	M.1.008	VULCANO COFFEE GRINDING ADJUSTMENT DISK	GHIERA REGOLAZIONE VULCANO	
36	M.1.005	VULCANO LOCKING SLIDE	SERRANDA VULCANO	
<b>Item</b>	<b>Part number/Codice</b>	<b>Description</b>	<b>Descrizione</b>	<b>Notes / Note</b>



la marzocco

handmade in florence

# TOWER SECTION ASSEMBLY





la marzocco

handmade in florence

# TOWER SECTION ASSEMBLY

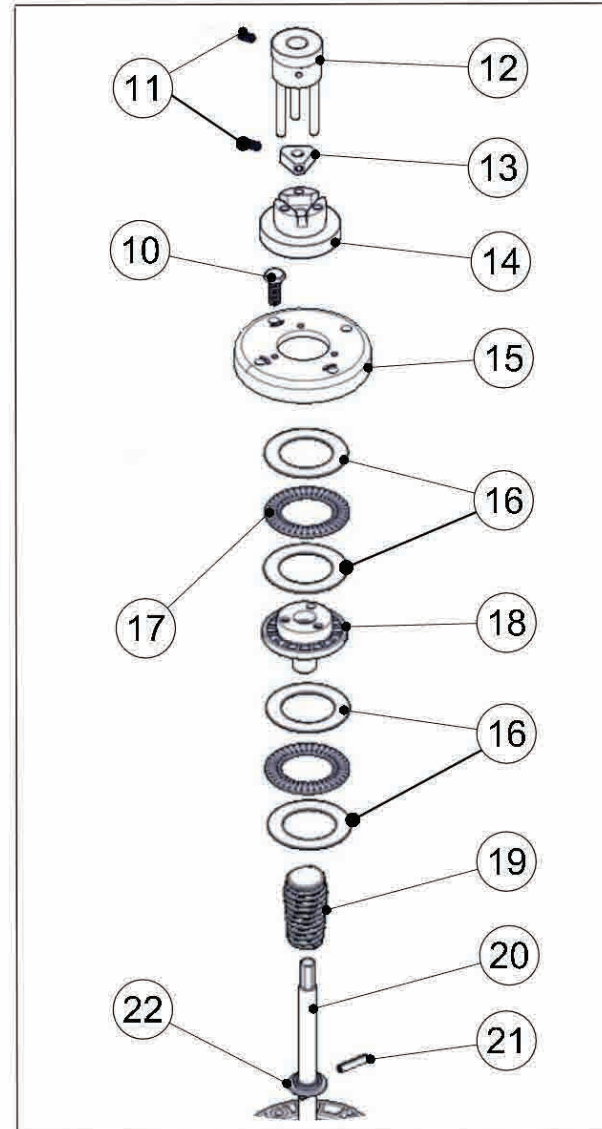
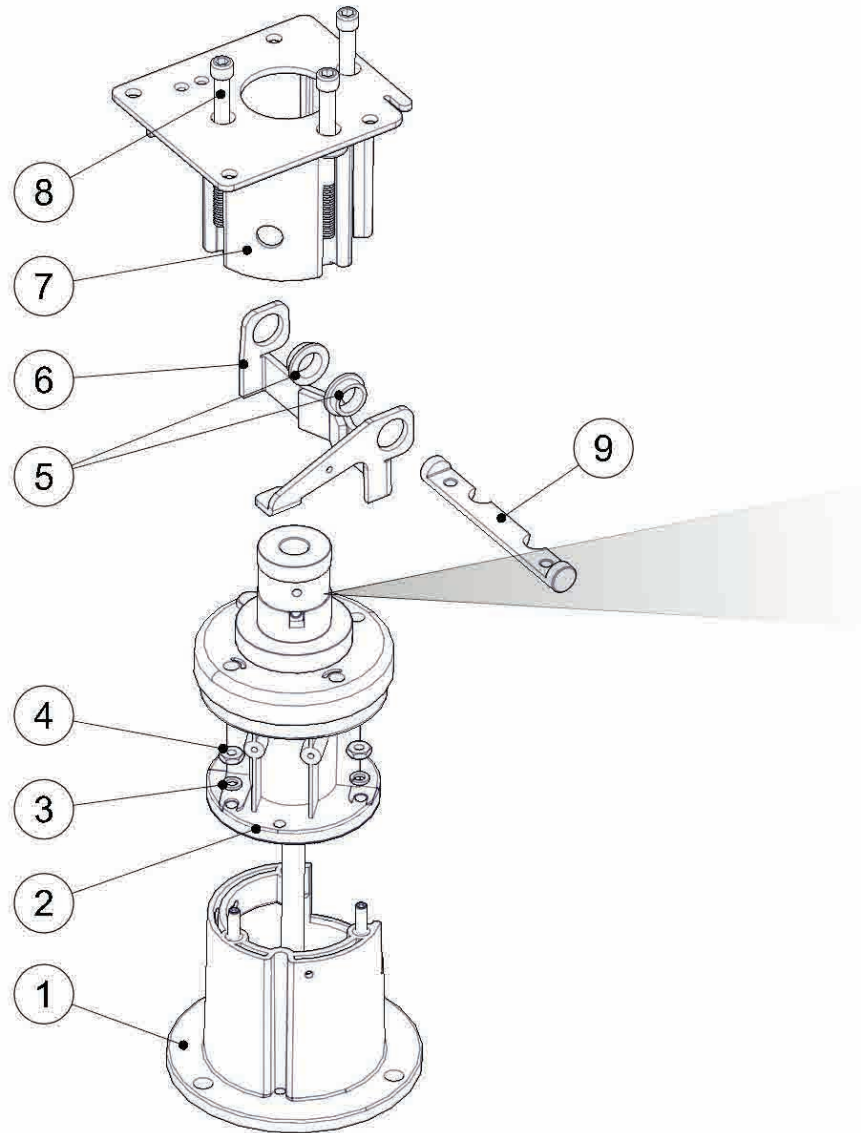
Sezione Torre

1	5.331	TAMPER IMPELLER	ELICA PRESSANTE	
2	L109	BAYONET RING	ANELLO CROMATO	
3	5.353	PORTAFILTER SPACER	DISTANZIALE PORTAFILTRO	
4	5.354	COFFEE CHUTE SPACER	CONVOGLIATORE CAFFE'	
5	L1003	S/S WASHER 8X14/16X1.5	RONDELLA ACC. INOX 8X14/16X1.5	
6	L110.01	M8X52 S/S ALLEN BOLT (THR 8,5)	BULLONE 8X52 FIL.8 BRUGOLA ACC.INOX	
7	I.1.072	M8X70 S/S SOCKET HEAD ALLEN SCREW DIN912	VITE INOX 8X70 TB DIN912	
8	5.300.R	REDUCTION GEAR MOTOR 230V 50/60HZ S/D	RIDUTTORE MOTORE 230V 50/60HZ S/D	
9a	5.300/110	115V 50/60HZ SWIFT TAMPER MOTOR	MOTORE 115V 50/60HZ X DOSATURA SWIFT	
9b	5.300	230V 50/60HZ SWIFT TAMPER MOTOR	MOTORE 230V/ 50/60HZ X DOSATURA SWIFT	
10	5.372.3	1/8 SHAFT COLLAR ZINC	ANELLO 1/8 ZINCATO PER ASTA	
11	5.372.5	CLEAN OUT TOOL	UTENSILE PER PULIZIA	
12	I.2.003	SCREW FOR REGULATING MICRO	VITE PER REGOLAZIONE MICRO	
13	5.V018	#6-32 X 1-1/4 S/S PAN HEAD PHILLIPS M/S	VITE A CROCE INOX #6-32 X 1-1/4	
14	F.6.003	MOVABLE BRACKET FOR REGULATION OF MICRO	STAFFA MOBILE PER REGOLAZIONE MICRO	
15	F.6.002	FIXED BRACKET FOR REGULATION OF MICRO	STAFFA FISSA PER REGOLAZIONE MICRO	
16	I.1.071	SEEGER RING D5MM UNI 7434	SEEGER D5 ACCIAIO FOSFATO NERO UNI 7434	
17	C.1.169	BRACKET FOR MICRO REGULATING SYSTEM	STAFFA SISTEMA REGOLAZIONE MICRO	
18	I.2.002	BLOCKING SCREW FOR MICRO	VITE PER BLOCCAGGIO MICRO	
19	5.117	ROLLER SWITCH WITH LEVER	ROLLER SWITCH CON LEVETTA	
20	5.V020	S/S #6 FLAT WASHER	RONDELLA PIANA INOX #6	
21	5.V009	S/S #6-32 UNF HEX NUTS	DADO INOX #6-32 UNF	
22	I.1.045	M3X12 S/S FLAT PHILLIPS HEAD SCREW	VITE INOX 3X12 TSP TCR DIN 965 A2-70	
23	F.3.037	MOTOR LOCK SPRING FOR VULCANO SWIFT	MOLLA PER FERMO MOTORE VULCANO SWIFT	
24	C.1.167	BRAKE SPRING BRACKET	STAFFA MOLLA FRENO	
25	5.V016	#6 X7/8" PAN HEAD PHILLIPS	VITE A CROCE #6X7/8"	
26	5.117.1	PIN SWITCH WITHOUT LEVER	PIN SWITCH SENZA LEVETTA	
27	5.372	SWITCH PIN ASSEMBLY	ASSIEME ASTA PER MICROSWITCH	
Item	Part number/Codice	Description	Descrizione	Notes / Note



la marzocco  
handmade in florence

# TOWER SECTION ASSEMBLY







la marzocco

handmade in florence

# TOWER SECTION ASSEMBLY

## Sezione Torre

1	5.356.01	COFFEE CHUTE	CANALE CAFFE'	
2	5.358	THRUST BEARING RETAINER. PLAST	SUPPORTO CUSCINETTO	
3	5.V003	#10 EXTERNAL TOOTH LOCK WASHER	RONDELLA DENTATA #10	
4	5.V005	S/S #10-32 UNF HEX NUT	DADO INOX #10-32 UNF	
5	F.1.038	BUSHING FOR BRAKE LEVER	BOCCOLA PER LEVA FRENO	
6	C.1.168	BRAKE LEVER	LEVA FRENO	
7	5.357.01	MOTOR MOUNT	SUPPORTO MOTORE	
8	5.V022	1/4"-20 UNC X 3-1/4" SOCKET HEAD ALLEN SCREW	VITE A BRUGOLA 1/4"-20 UNC X 3-1/4"	
9	5.370.01	SHAFT LOCK MOUNT VULCANO SWIFT	ALBERO BLOCCAGGIO MOTORE	
10	5.V015	1/4"-20 UNC X 5/8" HEX HEAD SCREW	VITE ESAGONALE 1/4"-20 UNC X 5/8"	
11	5.V014	S/S #10-32 X 3/8" SOCKET SET SCREW	GRANO DI BLOCCAGGIO #10-32 X 3/8"	
12	5.130	MOTOR SHAFT COUPLING	ACCOPIAMENTO ALBERO MOTORE	
13	5.131	TAMPER SHAFT COLLAR	ANELLO PER ALBERO ELICA PRESSANTE	
14	5.132	TAMPER SHAFT COUPLING	ACCOPIAMENTO ALBERO ELICA PRESSANTE	
15	5.355	THRUST BEARING RETAINER TOP	ANELLO SUPPORTO CUSCINETTO	
16	5.106	THRUST BEARING WASHER	DISTANZIALE PER CUSCINETTO	
17	5.105	THRUST BEARING	CUSCINETTO	
18	5.360	BEARING SPINDLE	GUIDA CUSCINETTO	
19	5.111	SPRING IMPELLER SHAFT	MOLLA PER ALBERO ELICA PRESSANTE	
20	5.328.01	TAMPER SHAFT (ASSEMBLED WITH 5.109)	ALBERO ELICA PRESSANTE (ASSEMBLATO CON 5.109)	
21	5.109	ROLL PIN 3/16 X 7/8 420SS	SPINA ELASTICA 3/16 X 7/8 420SS	
22	5.359	SPRING RETAINER	SUPPORTO PER MOLLA	
<b>Item</b>	<b>Part number/Codice</b>	<b>Description</b>	<b>Descrizione</b>	<b>Notes / Note</b>

LA MARZOCCO SRL  
Via La Torre, 14/H  
Localita' La Torre  
50038 Scarperia e San Piero  
(Florence) - ITALY  
T. +39 055 849 191  
F. +39 055 849 1990  
info@lamarzocco.com  
www.lamarzocco.com