



Coffee grinders

MD THEO

INDEX

| | |
|-------------------------------|----|
| MD THEO - Generic table | 2 |
| Coachwork | 3 |
| Starting device | 5 |
| Coffee powder doser | 7 |
| Grinding section | 10 |
| Grinding section | 12 |
| PRIMARY SPARE PARTS | 14 |

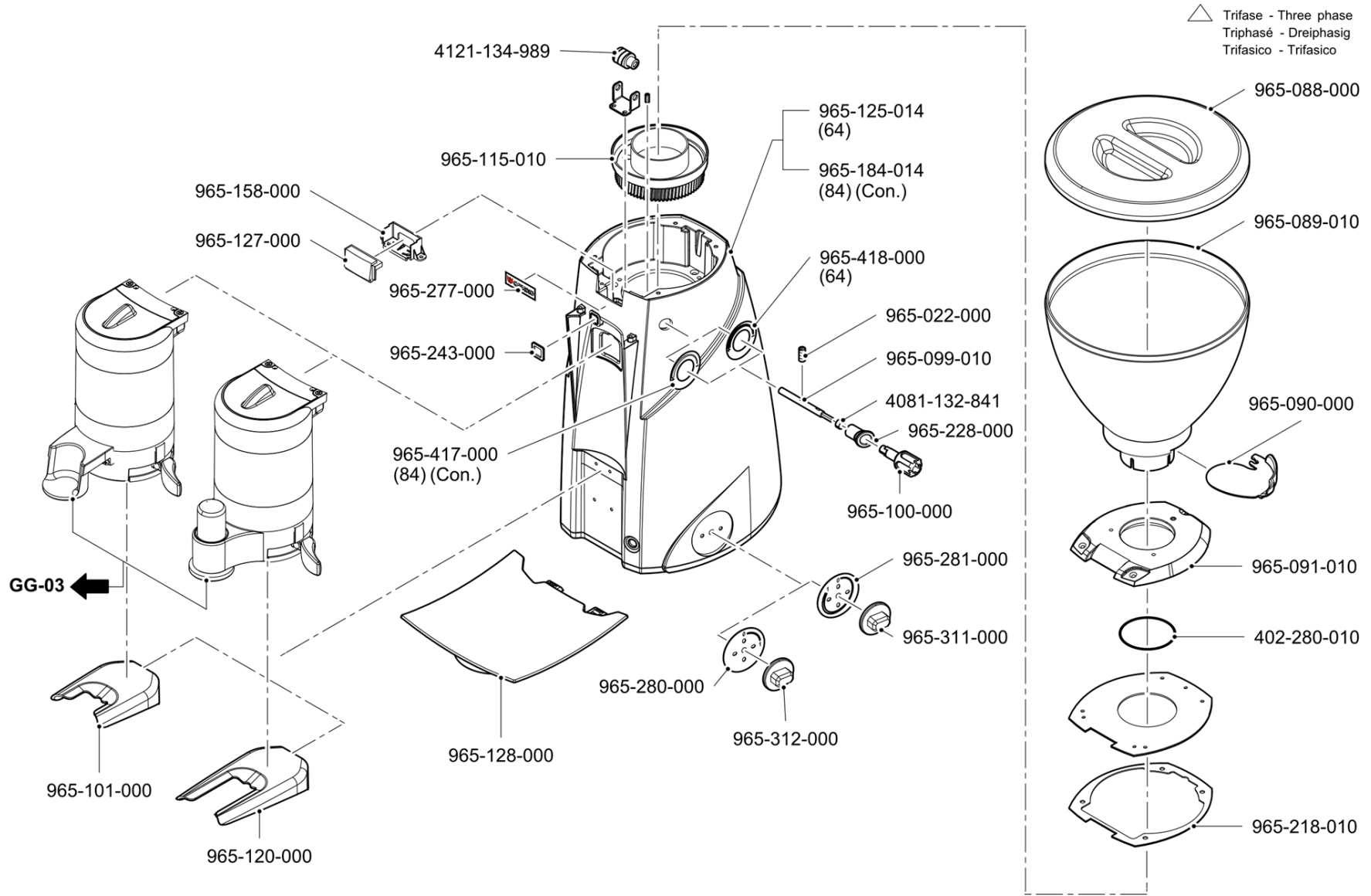
| Pos | Part Number | Description | Validity | Notes |
|-----|-------------|--|----------|-------|
| - | 2811136552 | LEFT COMPLETE LEVER TN | | |
| - | 2811136553 | RIGHT COMPLETE LEVER TN | | |
| - | 465446010 | RUBBER INSERT FOR MD LEVER | | |
| - | 530117500 | MAIN CABLE | | |
| - | 531494200 | CONDENSER 14mf MET. 416333929 | | |
| - | 531494300 | METAL. COND. 10 uF DUCATI 416.33.27 | | |
| - | 532804900 | ANTIVIBRATION MOUNT M5 | | |
| - | 535884000 | THEO 220/400V 3-PHASE MD WIRING | | |
| | ≅ 535752008 | THREE-PHASE WIRING | | |
| - | 535884000 | THEO 220/400V 3-PHASE MD WIRING | | |
| - | 537051200 | SCALDED GEAR | | |
| - | 965121024 | RANGE MEDIUM DOSER BODY POLISHED | | |
| - | 965125024 | CASADIO BODY | | |
| - | 965127010 | WINDOW | | |
| - | 965184024 | CASADIO BODY | | |
| - | 965298000 | MIXER | | |
| - | 965334014 | UPPER COVER DOSER POLISHED | | |
| - | 965342014 | EL DOSER BODY POLISHED | | |
| - | 965450000 | DOSING SECTOR | | |
| - | 965474000 | CASADIO CONIK LABEL | | |
| - | 965493000 | PIVOT | | |
| - | 965499000 | SCRAPE | | |
| - | 965823000 | KIT COLLAR | | |
| - | 968003010 | HOPPER GASKET | | |
| - | 975005000 | MD MOTOR THEO 84 230/400 50T | | |
| - | 975006000 | THEO CONICAL 230/400V 50Hz 3-PHASE MOTOR | | |
| - | 975045000 | BLADE LOCKING PLATE DOS. THEO | | |
| - | 975714000 | TAPERED GRINDER FORM. CONIK/THEO LOW - | | |
| - | 965178010 | FAN | | |
| - | 531390800 | RH STROKE COUNTER | | |
| - | 965178020 | FAN | | |
| - | 980107000 | YELLOW BRISTLE BRUSH WOODEN HANDLE | | |
| - | 433145000 | PIPE BRUSH D.35 | | |
| - | 537057300 | KIT ALBERO PER DOSATORE | | |
| - | 965106008 | ALBERO REGOLAZIONE MACINE "NSF RUVECATO" | | |
| - | 4529134991 | HANDLE | | |

MOLINO DOSIFICADOR
MOINHO DOSEADOR

COFFEE GRINDER
KAFFEE DOSIERMÜHLE

MACINADOSATORE
MOULIN DOSEUR

Theo



CARROCERIA
ESTRUTURA

COACHWORK
KAROSSERIE

CARROZZERIA
CARROSSERIE

ED. AUSGABE 02-11

TAB. GG-01

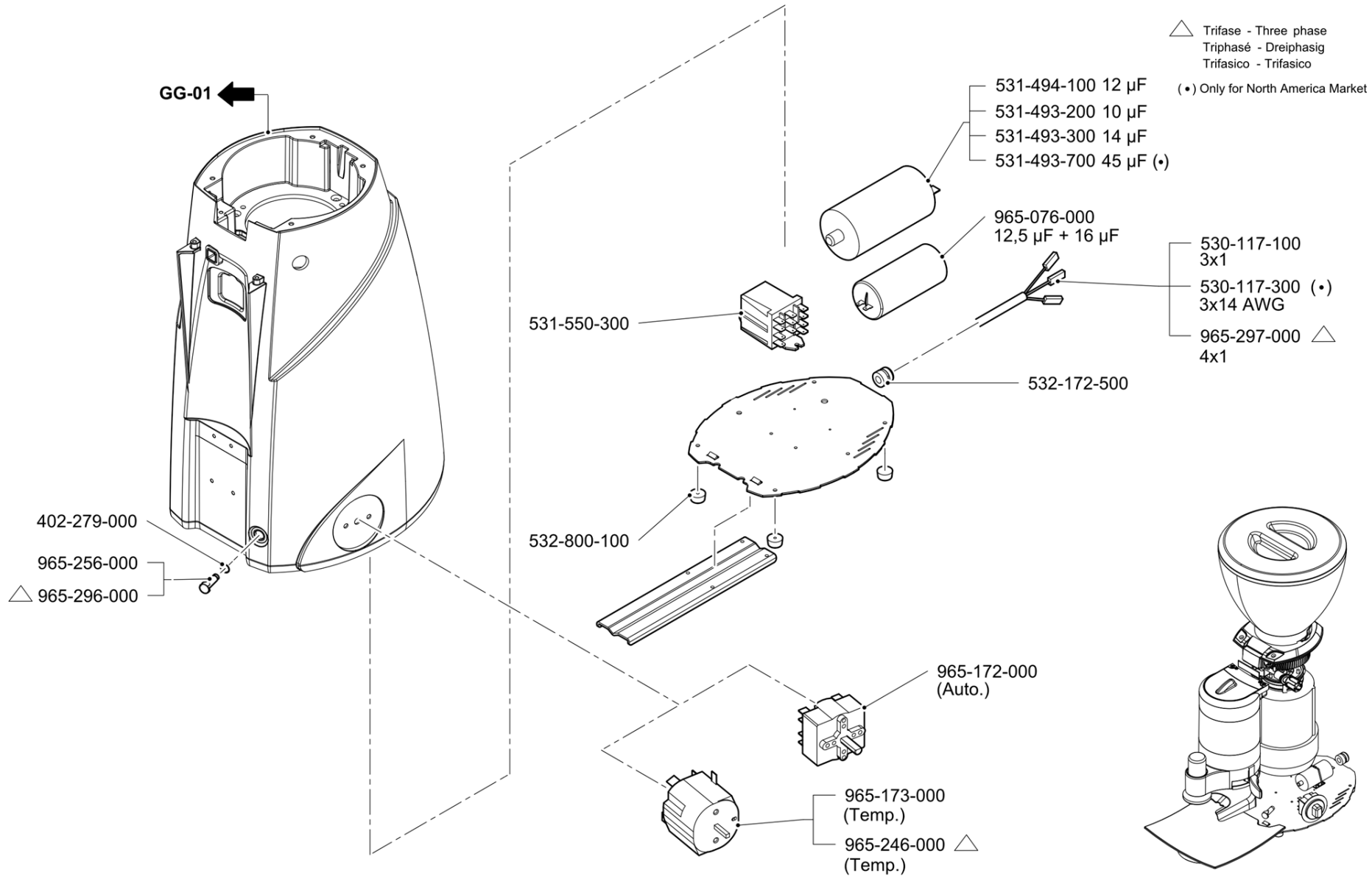
| Pos | Part Number | Description | Validity | Notes |
|-----|-------------|---------------------------------|----------|-------|
| - | 402280010 | OR 75,92X1,78 | | |
| - | 4081132841 | COMPRESSION RING | | |
| - | 4121134989 | SCREW | | |
| - | 965022000 | BALL PRESSURE | | |
| - | 965088000 | HOPPER LID | | |
| - | 965089010 | HOPPER | | |
| - | 965090000 | LOCK GATE | | |
| - | 965823000 | KIT COLLAR | | |
| | ⇒ 965091010 | RING HOPPER | | |
| - | 965099010 | GRINDING ADJUSTMENT SCREW SHAFT | | |
| - | 965100000 | HANDLE | | |
| - | 965101000 | SEAT FOR THE FILTER HOLDER | | |
| - | 537051200 | SCALDED GEAR | | |
| | ⇒ 965115010 | TOOTHED WHEEL | | |
| - | 965120000 | LONG SEAT FOR THE FILTER HOLDER | | |
| - | 965125024 | CASADIO BODY | | |
| | ⇒ 965125014 | BODY MD EL CASADIO | | |
| - | 965127010 | WINDOW | | |
| | ⇒ 965127000 | SLIDE MD CASADIO | | |
| - | 965128000 | TRAY PLATE | | |
| - | 965158000 | WINDOW | | |
| - | 965184024 | CASADIO BODY | | |
| | ⇒ 965184014 | BODY MD MR CASADIO | | |
| - | 965218010 | UPPER BODY GASKET | | |
| - | 965228000 | OR HANDLE | | |
| - | 965243000 | CABLE GLAND | | |
| - | 965474000 | CASADIO CONIK LABEL | | |
| | ⇒ 965277000 | "CASADIO" LABEL | | |
| - | 965280000 | LABEL 1-0 (ON/OFF) | | |
| - | 965281000 | TIMER LABEL | | |
| - | 965311000 | KNOB TIMER | | |
| - | 965312000 | ROUND TIMER KNOB | | |
| - | 965417000 | WHITE COFFEE LABEL | | |
| - | 965418000 | BLACK COFFEE LABEL | | |

MOLINO DOSIFICADOR
MOINHO DOSEADOR

COFFEE GRINDER
KAFFEEDOSIERMÜHLE

MACINADATORE
MOULIN DOSEUR

Theo



DISPOSITIVO DE ARRANQUE
DISPOSITIVO DE ARRANQUE

STARTING DEVICE
START VORRICHTUNG

DISPOSITIVO DI AVVIAMENTO
DISPOSITIF DE MISE EN MARCHÉ

ED. AUSGABE 02-11

TAB. GG-02

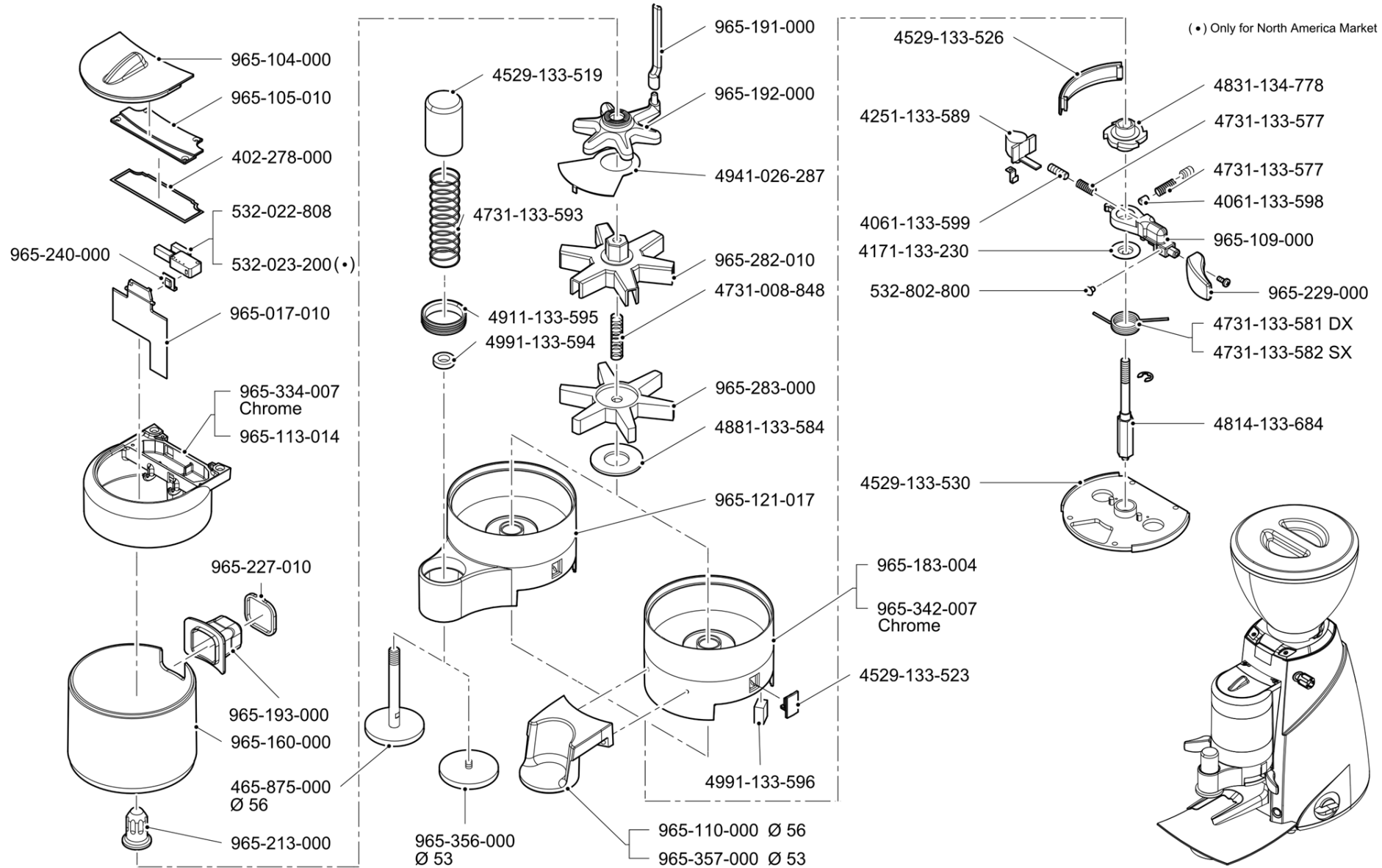
| Pos | Part Number | Description | Validity | Notes |
|-----|-------------|--------------------------------------|----------|-------|
| - | 402279000 | OR 11X1 NBR | | |
| - | 530117500 | MAIN CABLE | | |
| | ⇒ 530117100 | SUPPLY WIRE | | |
| - | 530117300 | SUPPLY WIRE MONO3X14 | | |
| - | 531494300 | METAL. COND. 10 uF DUCATI 416.33.27 | | |
| | ⇒ 531493200 | CAPACITOR 10 uF | | |
| - | 531494100 | CONDENSER 12.5 uF DUCATI 416.33.3029 | | |
| | ⇒ 531493300 | CAPACITOR 14uF | | |
| - | 531493700 | CAPACITOR 45 uF | | |
| - | 531550300 | REALY 400V | | |
| - | 532172500 | FIXCABLE | | |
| - | 532800100 | FOOT | | |
| - | 965076000 | STARTING CAPACITOR | | |
| - | 965172000 | SWITCH 3 PHASE ROT 4 RH | | |
| - | 965173000 | SWITCH BIPOLAR TIMER | | |
| - | 965246000 | SWITCH 3PHASE TIMER | | |
| - | 965256000 | GREEN LAMP 110-230V | | |
| - | 965296000 | LAMP 400V/3 | | |
| - | 965297000 | SUPPLY WIRE | | |
| - | 531494100 | CONDENSER 12.5 uF DUCATI 416.33.3029 | | |

MOLINO DOSIFICADOR
MOINHO DOSEADOR

COFFEE GRINDER
KAFFEEDOSIERMÜHLE

MACINADOSATORE
MOULIN DOSEUR

Theo



(*) Only for North America Market

DOSIFICADOR DE CAFÉ MOIDO
DOSEADOR DE CAFE MOIDO

COFFEE POWDER DOSER
KAFFEEPULVERDOSIERER

DOSATORE MACINATO
DOSEUR CAFE MOULU

ED. AUSGABE 02-11

TAB. GG-03

| Pos | Part Number | Description | Validity | Notes |
|-----|--------------|------------------------------------|----------|-------|
| - | 402278000 | OR 66,4X1,78 SILICON | | |
| - | 4061133598 | PIN 4X16 | | |
| - | 4061133599 | PIN | | |
| - | 4171133230 | WASHER | | |
| - | 531390800 | RH STROKE COUNTER | | |
| | ⇒ 4251133589 | RIGHT BLOW COUNTER | | |
| - | 4529133519 | TAMPER LEVER | | |
| - | 4529133523 | COUNTER PROTECTION | | |
| - | 4529133526 | HANDLE PROTECTION | | |
| - | 4529133530 | BASE DOSER BLACK | | |
| - | 465875000 | COFFEE TAMPER | | |
| - | 4731008848 | SPRING | | |
| - | 4731133577 | SPRING | | |
| - | 4731133581 | SPRING | | |
| - | 4731133582 | SPRING | | |
| - | 4731133593 | SPRING TAMPER | | |
| - | 4814133684 | SHAFT | | |
| - | 4831134778 | GEAR | | |
| - | 4881133584 | SPACER | | |
| - | 4911133595 | DISK TAMPER | | |
| - | 965450000 | DOSING SECTOR | | |
| | ⇒ 4941026287 | DOSING DEVICE | | |
| - | 4991133594 | SHOCK ABSORBER | | |
| - | 4991133596 | SHOCK ABSORBER | | |
| - | 532022808 | MICRO CROUZET EF83161,3 | | |
| - | 532023200 | MICROINT CROUZET EF83161.3 | | |
| - | 532802800 | DOSER LEVER PROTECTION | | |
| - | 965017010 | LEVER MICRO SWITCH | | |
| - | 965104000 | COFFEE CONTAINER LEED | | |
| - | 965105010 | MICROSWITCH COVER | | |
| - | 965109000 | DOSING LEVER | | |
| - | 965110000 | TAMPER | | |
| - | 965113014 | DOSING COVERING PANEL ASS. CASADIO | | |
| - | 965121017 | DOSER CASE CROMO | | |
| - | 965160000 | GROUND COFFEE CONTAINER | | |
| - | 965183004 | EL CASADIO DOSER BODY | | |
| - | 965191000 | ROD | | |
| - | 965192000 | DOSING STAR | | |
| - | 965193000 | SIDE COFFEE CHANNEL | | |
| - | 965213000 | RING NUT FOR MIXER LOCK | | |
| - | 965227010 | COFFEE SHAFT GASKET | | |
| - | 965229000 | LEVER DOSER HANDLE | | |
| - | 965240000 | MICRO'S GASKET | | |
| - | 965282010 | DOSING STAR | | |
| - | 965283000 | STAR | | |

| Pos | Part Number | Description | Validity | Notes |
|-----|-------------|------------------------------------|----------|-------|
| - | 965334007 | DOSING COVERING PANEL CASADIO CROM | | |
| - | 965342007 | DOSER CASE CROMO EL | | |
| - | 965356000 | TAMPER DIAM 53 | | |
| - | 965357000 | TAMPER DIAM 53 | | |

MOLINO DOSIFICADOR
MOINHO DOSEADOR

COFFEE GRINDER
KAFFEE DOSIERMÜHLE

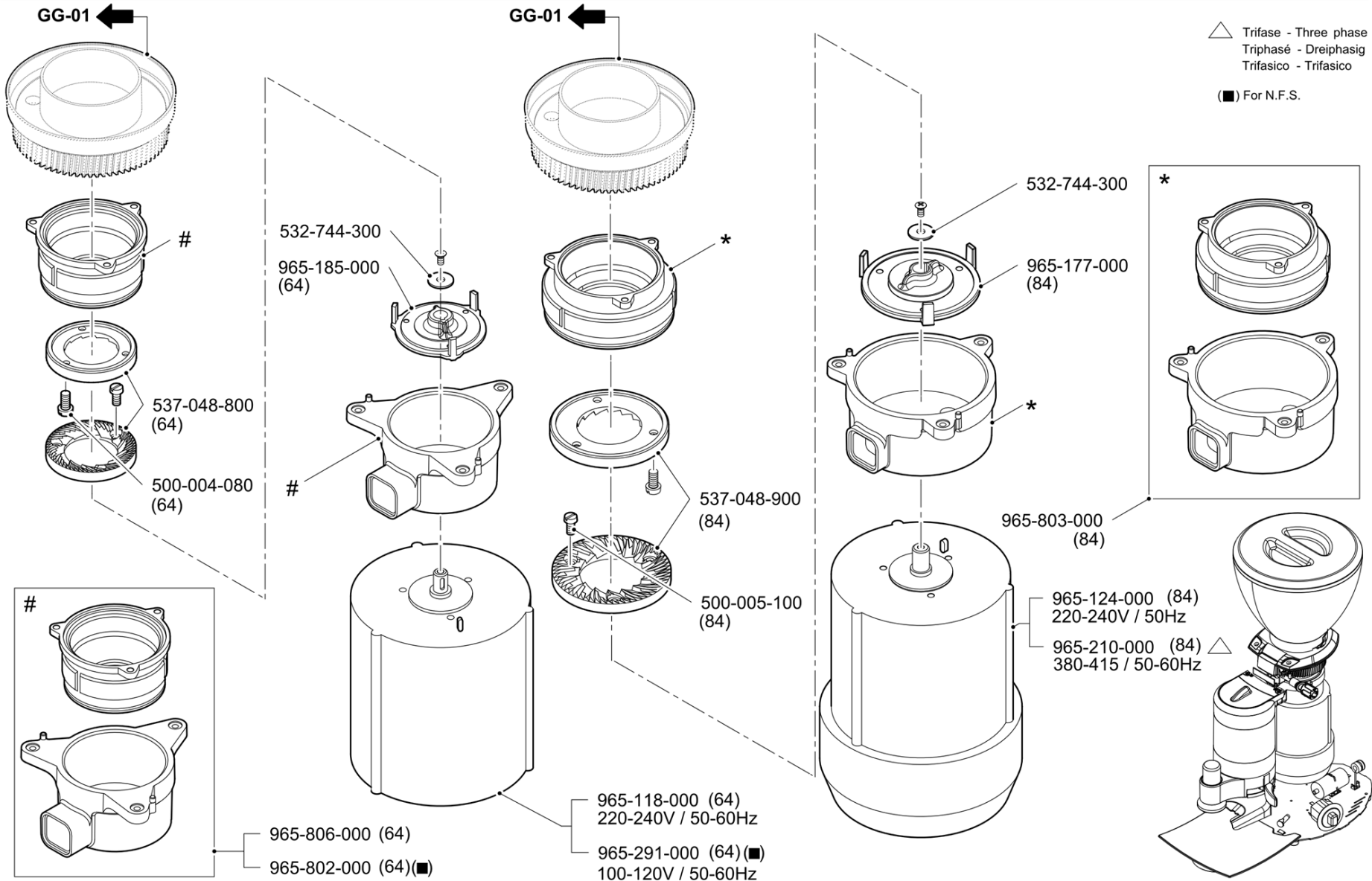
MACINADOSATORE
MOULIN DOSEUR

Theo



△ Trifase - Three phase
Triphasé - Dreiphasig
Trifasico - Trifasico

(■) For N.F.S.



CAMARA DE MOLTURACIÓN
TREMONHA

GRINDING SECTION
MAHLSCHEIBENKAMMER

CAMERA DI MACINAZIONE
SECTION DE MOUTURE

ED. AUSGABE 02-11

TAB. GG-04

| Pos | Part Number | Description | Validity | Notes |
|-----|-------------|---------------------------------------|----------|-------|
| - | 500004080 | M4X8 SCREW UNI 6107 INOX | | |
| - | 500005100 | SCREW 5X10 UNI 6107A INOX | | |
| - | 532744300 | WASHER 6.4x18 INOX | | |
| - | 537048800 | GRINDSTONE DIA.63,5 MM DX | | |
| - | 537048900 | 84MM DIAMETER GRINDSTONES RIGHT | | |
| - | 965118000 | MOTOR | | |
| - | 965124000 | MOTOR FOR PLANE STONE 220-240V 50Hz | | |
| - | 965177000 | SUPPORT TURNING GRINDSTONE MM84 | | |
| - | 965185000 | SUPPORT TURNING GRINDSTONE 64 | | |
| - | 975005000 | MD MOTOR THEO 84 230/400 50T | | |
| | ⇔ 965210000 | THREE-PHASE MOTOR 380-415/3 50-60Hz | | |
| - | 965291000 | ENTRY-LEVEL MOTOR 100-120V 50-60Hz UL | | |
| - | 965802000 | PROTECTION EL NSF 64 | | |
| - | 965803000 | PROTECTION 84 | | |
| - | 965806000 | GRINDING CHAMBER | | |

MOLINO DOSIFICADOR
MOINHO DOSEADOR

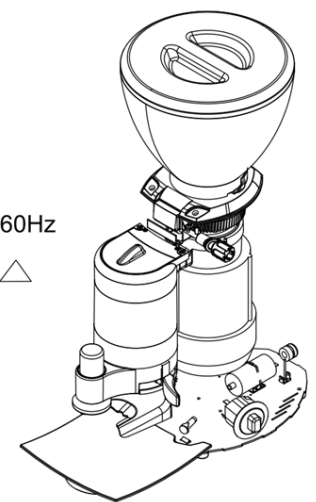
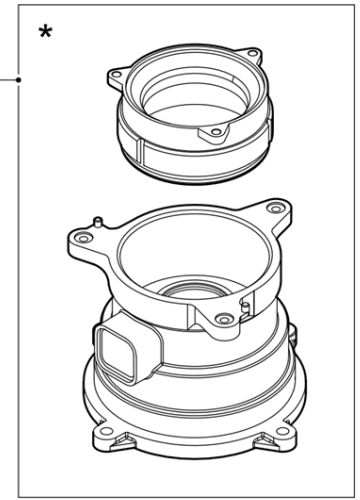
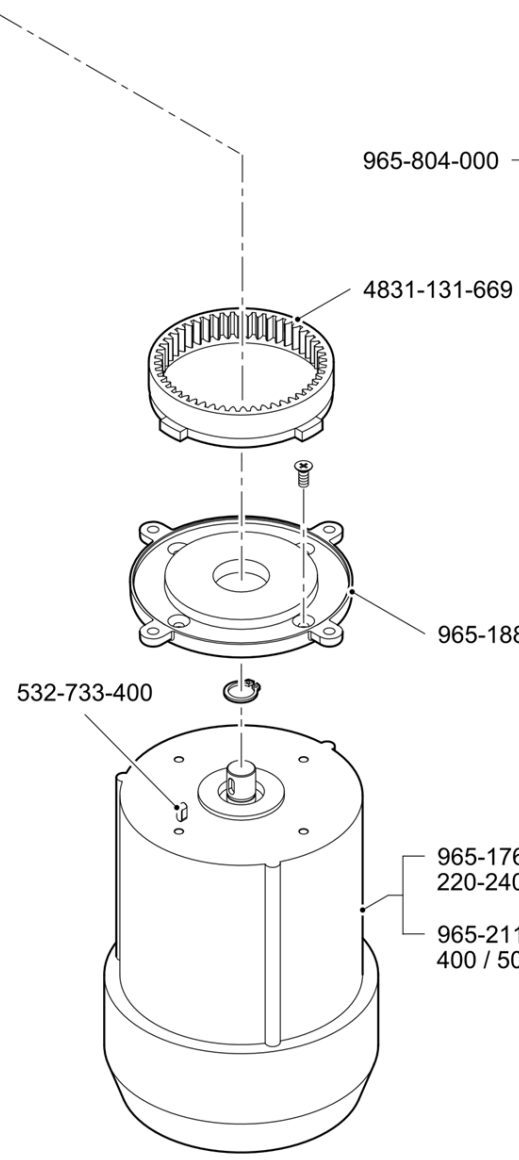
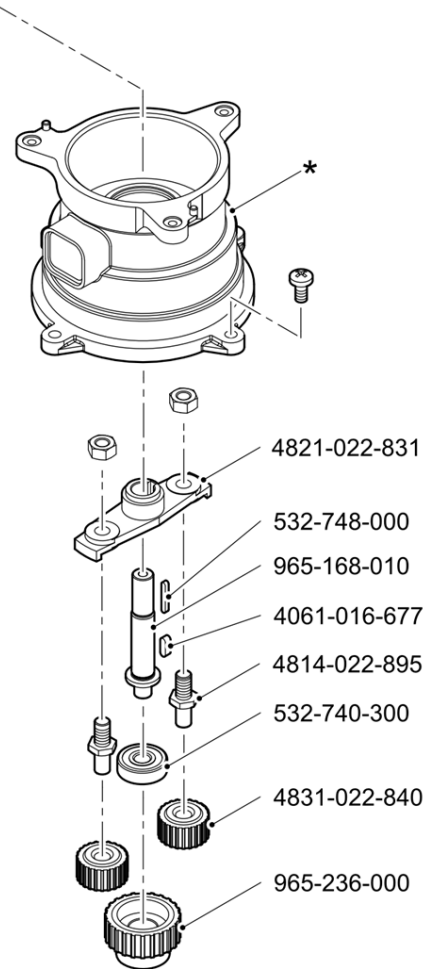
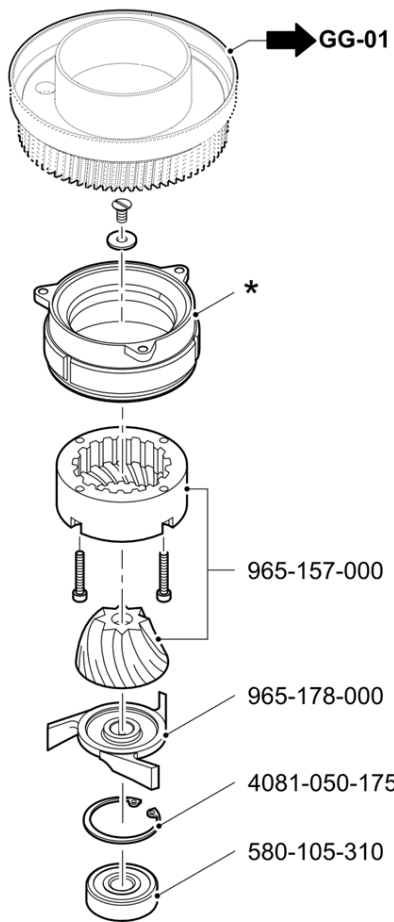
COFFEE GRINDER
KAFFEEDOSIERMÜHLE

MACINADATORE
MOULIN DOSEUR

Theo



△ Trifase - Three phase
Triphasé - Dreiphasig
Trifasico - Trifasico



CAMARA DE MOLTURACIÓN
TREMONHA

GRINDING SECTION
MAHLSCHLEIBENKAMMER

CAMERA DI MACINAZIONE
SECTION DE MOUTURE

ED. AUSGABE 02-11

TAB. GG-05

| Pos | Part Number | Description | Validity | Notes |
|-----|-------------|-------------------------------------|----------|-------|
| - | 4061016677 | TAB | | |
| - | 4081050175 | RING SEEGER | | |
| - | 4814022895 | PIN SATELLIT | | |
| - | 4821022831 | SUPPORT | | |
| - | 4831022840 | SATELLITE | | |
| - | 4831131669 | GEAR PART SATELLITE | | |
| - | 532733400 | 4X4X10 KEY | | |
| - | 532740300 | BEARING | | |
| - | 532748000 | TAB 3X3X20 | | |
| - | 580105310 | BEARING | | |
| - | 965157000 | GRINDSTONES CONIK 68 | | |
| - | 965168010 | GRINDSTONE HOLDER SHAFT | | |
| - | 965176000 | CONE MOTOR 220-240V 50-60Hz | | |
| - | 965178010 | FAN | | |
| | ⇒ 965178000 | IMPELLER | | |
| - | 965188000 | CONIC MOTOR ADAPTOR | | |
| - | 965211000 | THREE-PHASE MOTOR 400/3 50-60Hz kon | | |
| - | 965236000 | GEAR | | |
| - | 965804000 | PROTECTION | | |

| Pos | Part Number | Description | Validity | Notes |
|-----|-------------|--|----------|-------|
| - | 4731133581 | SPRING | | |
| - | 4831022840 | SATELLITE | | |
| - | 532022808 | MICRO CROUZET EF83161,3 | | |
| - | 537048800 | GRINDSTONE DIA.63,5 MM DX | | |
| - | 965088000 | HOPPER LID | | |
| - | 965089010 | HOPPER | | |
| - | 965090000 | LOCK GATE | | |
| - | 965100000 | HANDLE | | |
| - | 965157000 | GRINDSTONES CONIK 68 | | |
| - | 965172000 | SWITCH 3 PHASE ROT 4 RH | | |
| - | 965173000 | SWITCH BIPOLAR TIMER | | |
| - | 965191000 | ROD | | |
| - | 965229000 | LEVER DOSER HANDLE | | |
| - | 965246000 | SWITCH 3PHASE TIMER | | |
| - | 965256000 | GREEN LAMP 110-230V | | |
| - | 965296000 | LAMP 400V/3 | | |
| - | 965311000 | KNOB TIMER | | |
| - | 965312000 | ROUND TIMER KNOB | | |
| - | 975714000 | TAPERED GRINDER FORM. CONIK/THEO LOW - | | |

