

## Coffee grinders

# MD ENEA



### INDEX

MD ENEA - Generic table .....	2
Coachwork .....	4
Starting device .....	6
Coffee powder doser .....	8
Grinding section .....	10
PRIMARY SPARE PARTS .....	12

Pos	Part Number	Description	Validity	Notes
-	530118200	CABLE WITH PLUG		
-	531390800	RH STROKE COUNTER		
-	531390900	LH STROKE COUNTER		
-	531494100	CONDENSER 12.5 uF DUCATI 416.33.3029		
-	537051800	RIGHT STONES COUPLE D 63,5 JPN		
-	965298000	MIXER		
-	965452000	DOSER SCRAPER		
-	965474000	CASADIO CONIK LABEL		
-	968008020	ENEA SHELL (DOSATA VERSION)		
-	968011010	ON DEMAND FORK		
	⇒ 968011000	FORCELLA ON DEMAND		
-	968015020	DOSER MICRO LOWER COVER		
-	968026034	Upper lid of doser		
	⇒ 968026014	UPPER COVER MEASURING DEVICE		
-	968026034	Upper lid of doser		
-	968048020	Graduated Sleeve Cover		
	⇒ 968048010	GUARD ADJUSTMENT METAL RING		
-	968055010	DISPLAY CARD INSULATOR (968055000)		
	⇒ 968055000	DIELECTRIC		
-	968055010	DISPLAY CARD INSULATOR (968055000)		
-	968064000	DIELECTRIC		
-	968070000	MEASURING DEVICE BLADE LOCKING PLATE		
-	968071000	DOSED MD ENEA DUCT SPONGE		
-	968707000	FRONT CASING ASSEMBLY Vers. O.D		
-	968710030	GRINDER-HOLDER ASSEMBLY WITH RING NUT		
	⇒ 968710020	SUPPORT FOR STONES		
-	968710030	GRINDER-HOLDER ASSEMBLY WITH RING NUT		
-	968711030	GRINDER-HOLDER ASSEMBLY WITH RING NUT		
	⇒ 968711020	SUPPORT FOR STONES		
-	968711030	GRINDER-HOLDER ASSEMBLY WITH RING NUT		
-	968738030	MOTOR HOLDER ASSEMBLY		
	⇒ 968738020	MOTOR HOLDER		
-	968738030	MOTOR HOLDER ASSEMBLY		
-	968740030	MOTOR HOLDER ASSEMBLY		
	⇒ 968740020	MOTOR HOLDER		
-	968740030	MOTOR HOLDER ASSEMBLY		
-	968757020	ENEA DISPLAY CARD		
	⇒ 968757010	ENEA DISPLAY CARD		
-	968834000	Ground Coffee Tray		
-	944052000F	COUNTERSINK HEAD SCREW M5X10		
-	980107000	YELLOW BRISTLE BRUSH WOODEN HANDLE		
-	433145000	PIPE BRUSH D.35		
-	968757020	ENEA DISPLAY CARD		
-	968046010	GOMMINO PER PIEDINO "NSF"		
-	537057300	KIT ALBERO PER DOSATORE		

Pos	Part Number	Description	Validity	Notes
-	965106008	ALBERO REGOLAZIONE MACINE "NSF RUVECATO"		
-	4529134991	HANDLE		

MOLINO DOSIFICADOR  
MOINHO DOSEADOR

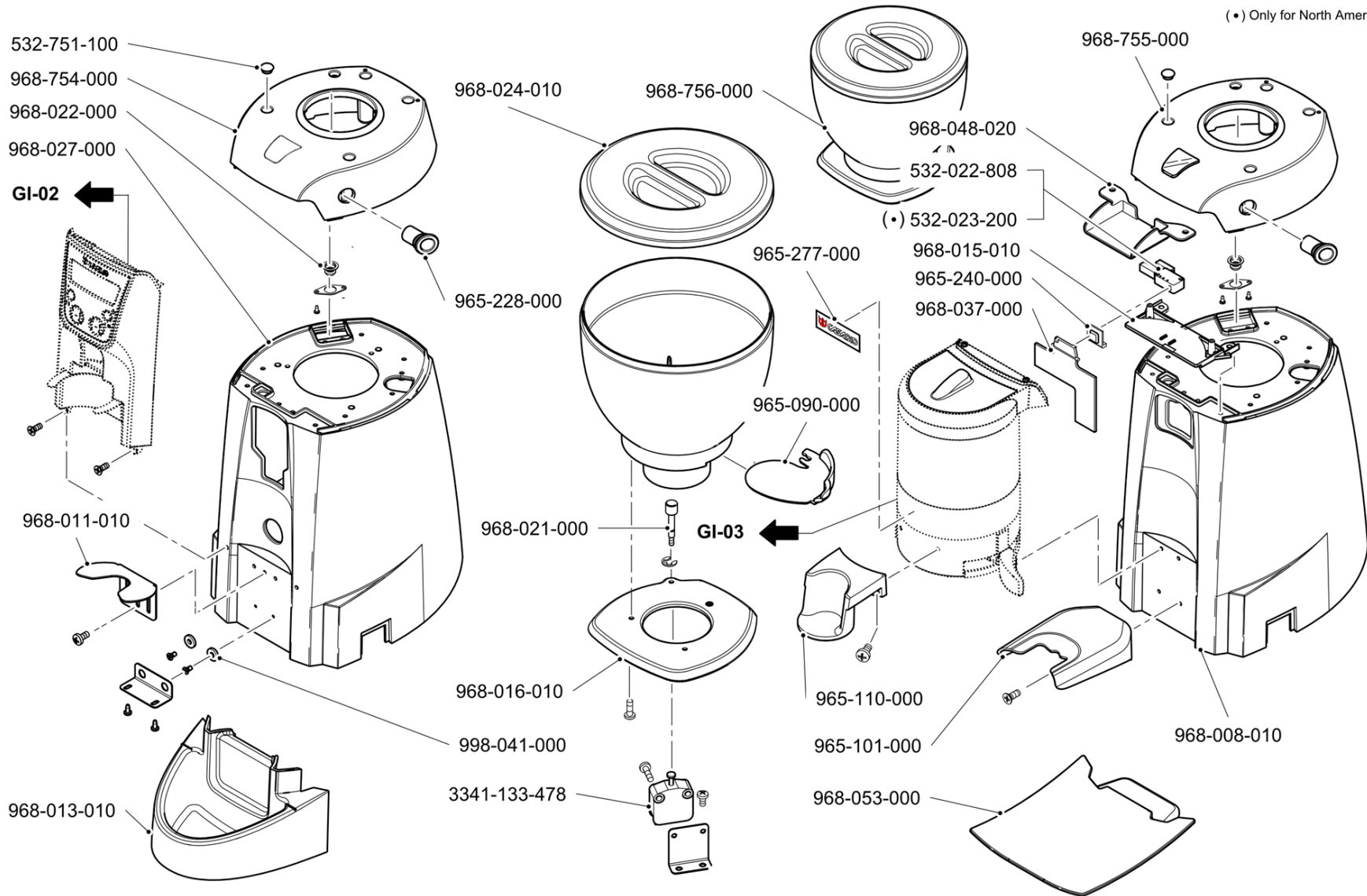
COFFEE GRINDER  
KAFFEE DOSIERMÜHLE

MACINADOSATORE  
MOULIN DOSEUR

*Enea*



(\*) Only for North America Market



CARROCERIA  
ESTRUTURA

COACHWORK  
KAROSSERIE

CARROZZERIA  
CARROSSERIE

ED. AUSGABE 09-11

TAB. GI-01

Pos	Part Number	Description	Validity	Notes
-	3341133478	SAFETY SWITCH 250V		
-	532022808	MICRO CROUZET EF83161,3		
-	532023200	MICROINT CROUZET EF83161.3		
-	532751100	PLUG		
-	965090000	LOCK GATE		
-	965101000	SEAT FOR THE FILTER HOLDER		
-	965110000	TAMPER		
-	965228000	OR HANDLE		
-	965240000	MICRO'S GASKET		
-	965474000	CASADIO CONIK LABEL		
	⇒ 965277000	"CASADIO" LABEL		
-	968008020	ENEA SHELL (DOSATA VERSION)		
	⇒ 968008010	Body - version with dosing unit		
-	968011010	ON DEMAND FORK		
-	968834000	Ground Coffee Tray		
	⇒ 968013010	Ground Coffee Tray		
-	968015020	DOSER MICRO LOWER COVER		
	⇒ 968015010	Lower lid of micro doser		
-	968016010	Hopper collar		
-	968021000	SCREW FOR MICRO		
-	968022000	Microswitch gasket		
-	968024010	Bean hooper lid		
-	968027000	Body - On Demand version		
-	968037000	Dosing system shovel		
-	968048020	Graduated Sleeve Cover		
-	968053000	Coffe drip plate		
-	968754000	UPPER COVER		
-	968755000	UPPER COVER		
-	968756000	HOPPER 1,2 KGS		
-	998041000	DOOR LOADSTONE		

MOLINO DOSIFICADOR  
MOINHO DOSEADOR

COFFEE GRINDER  
KAFFEE DOSIERMÜHLE

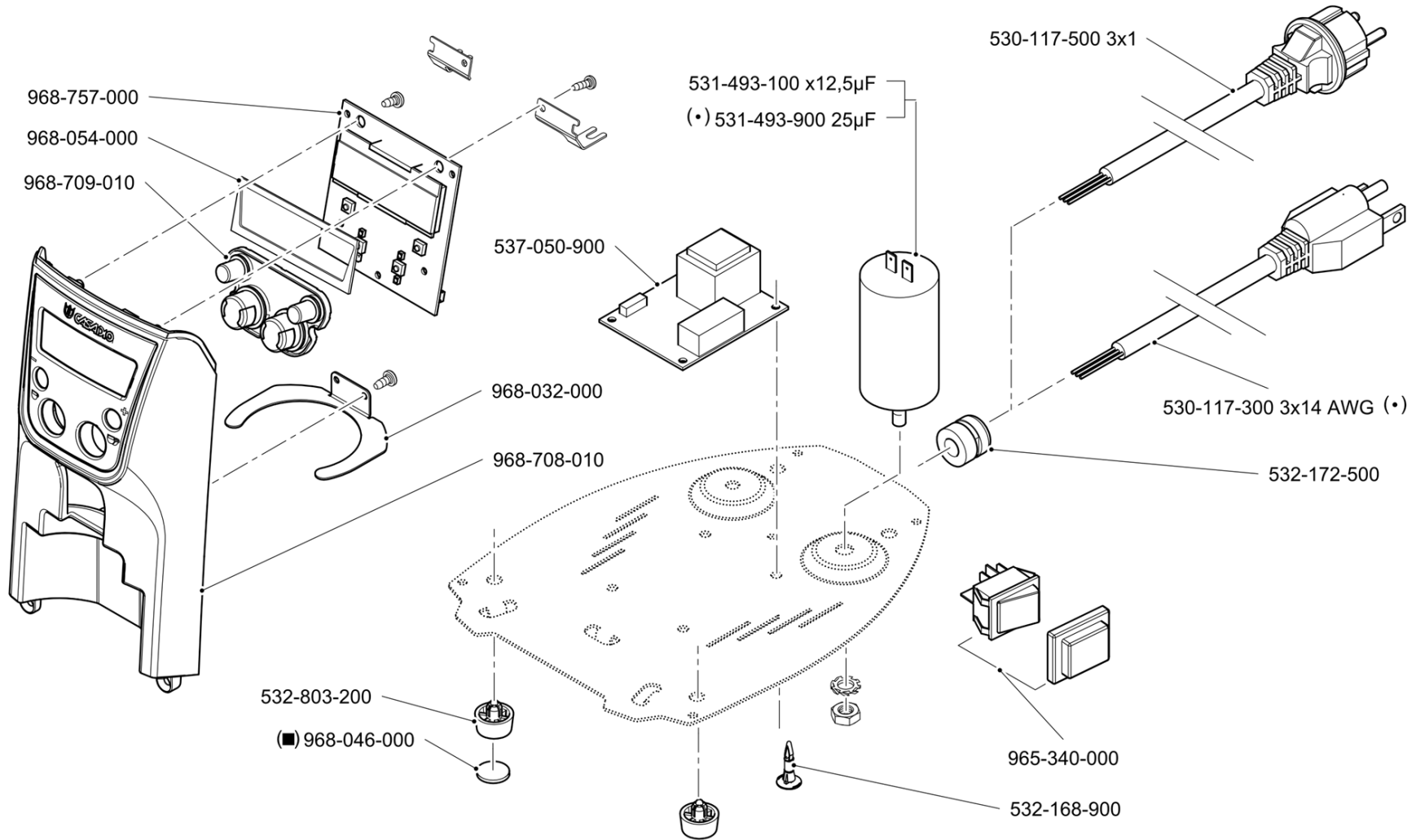
MACINADOSATORE  
MOULIN DOSEUR

**Enea**



■ For N.F.S.

• Only for North America Market



DISPOSITIVO DE ARRANQUE  
DISPOSITIVO DE ARRANQUE

STARTING DEVICE  
START VORRICHTUNG

DISPOSITIVO DI AVVIAMENTO  
DISPOSITIF DE MISE EN MARCHÉ

ED. AUSGABE 09-11

TAB. GI-02

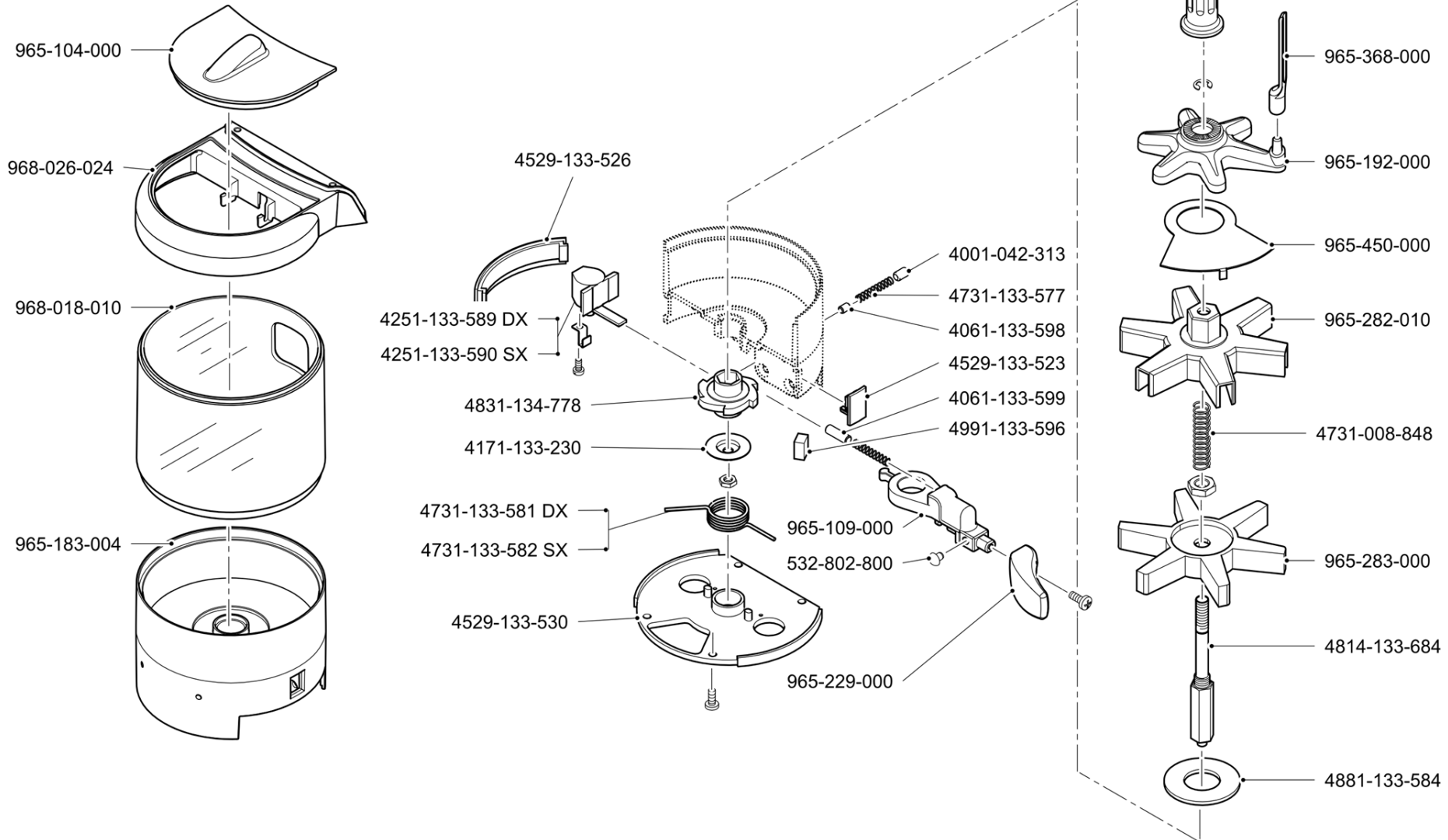
Pos	Part Number	Description	Validity	Notes
-	530117300	SUPPLY WIRE MONO3X14		
-	530117500	MAIN CABLE		
-	531494100	CONDENSER 12.5 uF DUCATI 416.33.3029		
	⇒ 531493100	CAPACITOR 12.5uF		
-	531493900	CAPACITOR		
-	532168900	NYLON SPACER		
-	532172500	FIXCABLE		
-	532803200	PLASTIC FOOT		
-	537050900	ENEA MAIN POWER BOARD		
-	965340000	LIGHT SWITCH		
-	968032000	UPPER FILTERHOLDER CLAMP		
-	968046000	RUBBER FOOT		
-	968054000	DISPLAY GASKET		
-	968707000	FRONT CASING ASSEMBLY Vers. O.D		
	⇒ 968708010	Ass. Front panel - OD version		
-	968709010	Assembly panel		
-	968757020	ENEA DISPLAY CARD		
	⇒ 968757000	ENEA DISPLAY BOARD		

MOLINO DOSIFICADOR  
MOINHO DOSEADOR

COFFEE GRINDER  
KAFFEE DOSIERMÜHLE

MACINADATORE  
MOULIN DOSEUR

*Enea*



DOSIFICADOR DE CAFÉ MOLIDO  
DOSEADOR DE CAFE MOIDO

COFFEE POWDER DOSER  
KAFFEEPULVERDOSIERER

DOSATORE MACINATO  
DOSEUR CAFE MOULU

ED. AUSGABE 09-11

TAB. GI-03



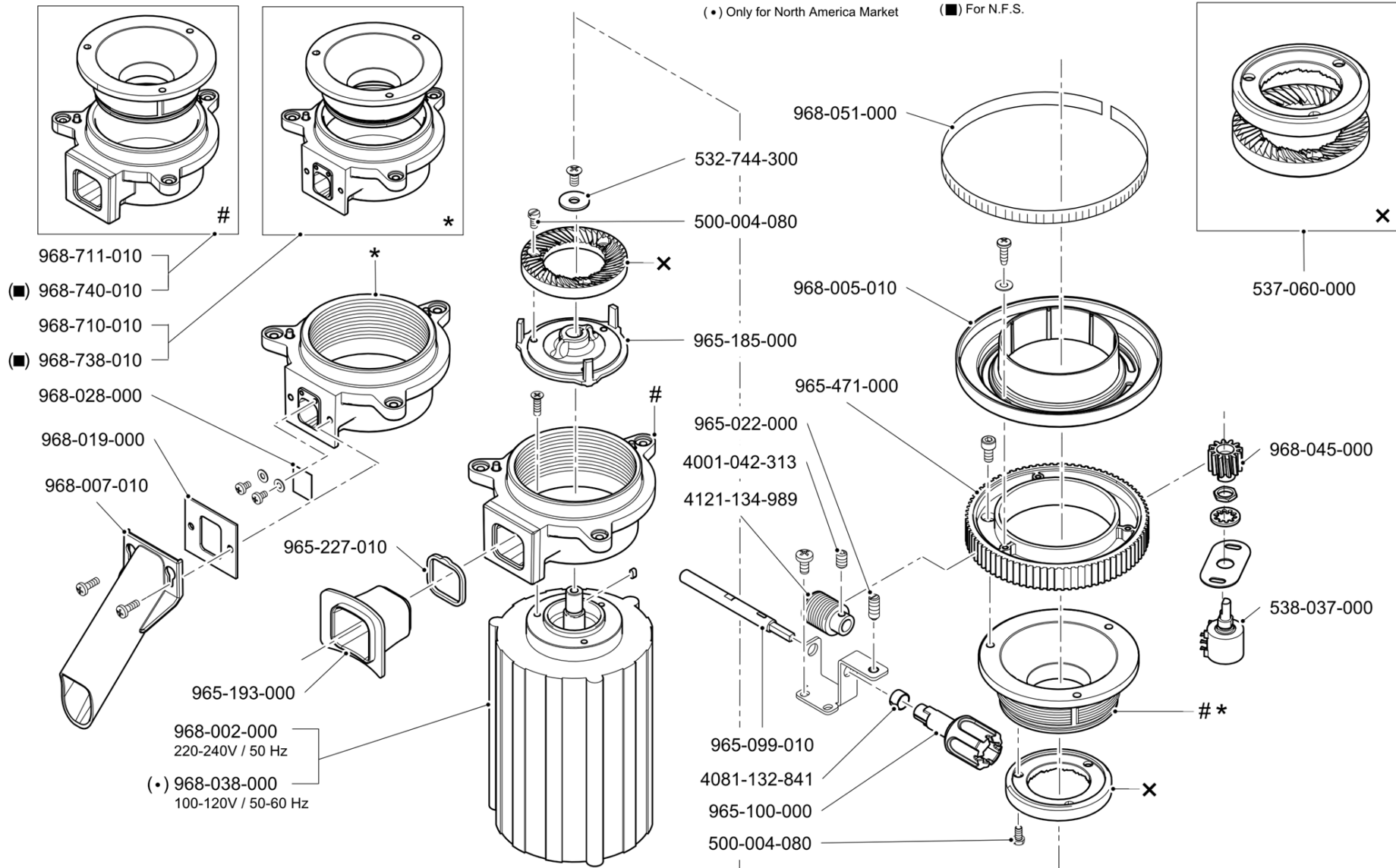
Pos	Part Number	Description	Validity	Notes
-	4001042313	GRUB SCREW M5X8		
-	4061133598	PIN 4X16		
-	4061133599	PIN		
-	4171133230	WASHER		
-	531390800	RH STROKE COUNTER		
	⇒ 4251133589	RIGHT BLOW COUNTER		
-	4251133590	LEFT BLOW COUNTER		
-	4529133523	COUNTER PROTECTION		
-	4529133526	HANDLE PROTECTION		
-	4529133530	BASE DOSER BLACK		
-	4731008848	SPRING		
-	4731133577	SPRING		
-	4731133581	SPRING		
-	4731133582	SPRING		
-	4814133684	SHAFT		
-	4831134778	GEAR		
-	4881133584	SPACER		
-	4991133596	SHOCK ABSORBER		
-	532802800	DOSER LEVER PROTECTION		
-	965104000	COFFEE CONTAINER LEED		
-	965109000	DOSING LEVER		
-	965183004	EL CASADIO DOSER BODY		
-	965192000	DOSING STAR		
-	965213000	RING NUT FOR MIXER LOCK		
-	965229000	LEVER DOSER HANDLE		
-	965282010	DOSING STAR		
-	965283000	STAR		
-	965368000	Coffee cutter arm L 76mm		
-	965450000	DOSING SECTOR		
-	968018010	Dosing unit transparent part		
-	968026034	Upper lid of doser		
	⇒ 968026024	UPPER COVER MEASURING DEVICE		

MOLINO DOSIFICADOR  
MOINHO DOSEADOR

COFFEE GRINDER  
KAFFEEDOSIERMÜHLE

MACINADATORE  
MOULIN DOSEUR

*Enea*



CAMARA DE MOLTURACIÓN  
TREMONHA

GRINDING SECTION  
MAHLSCHLEIBENKAMMER

CAMERA DI MACINAZIONE  
SECTION DE MOUTURE

ED. AUSGABE 09-11

TAB. GI-04

Pos	Part Number	Description	Validity	Notes
-	4001042313	GRUB SCREW M5X8		
-	4081132841	COMPRESSION RING		
-	4121134989	SCREW		
-	500004080	M4X8 SCREW UNI 6107 INOX		
-	532744300	WASHER 6.4x18 INOX		
-	537060000	RIGHT STONES COUPLE D 63,5		
-	538037000	POTENTIOMETER		
-	965022000	BALL PRESSURE		
-	965099010	GRINDING ADJUSTMENT SCREW SHAFT		
-	965100000	HANDLE		
-	965185000	SUPPORT TURNING GRINDSTONE 64		
-	965193000	SIDE COFFEE CHANNEL		
-	965227010	COFFEE SHAFT GASKET		
-	965471000	COGWHEEL		
-	968002000	MOTOR		
-	968005010	Graduated Sleeve		
-	968007010	Ground Coffee spout		
-	968019000	Coffee spout gasket		
-	968028000	TAIN		
-	968038000	MOTOR 100 120 V 50/60 HZ		
-	968045000	Potentiometer gear		
-	968051000	DOSER LABEL		
-	968710030	GRINDER-HOLDER ASSEMBLY WITH RING NUT		
	⇌ 968710010	MOTOR HOLDER ASSEMBLY W/MET.RING		
-	968711030	GRINDER-HOLDER ASSEMBLY WITH RING NUT		
	⇌ 968711010	MOTOR HOLDER ASSEMBLY W/MET.RING		
-	968738030	MOTOR HOLDER ASSEMBLY		
	⇌ 968738010	MOTOR HOLDER ASSEMBLY O.D RUVECATO Vers.		
-	968740030	MOTOR HOLDER ASSEMBLY		
	⇌ 968740010	MOTOR HOLDER ASSEMBLY DOSATO RUVECATO Ve		

Pos	Part Number	Description	Validity	Notes
-	531493900	CAPACITOR		
-	531494100	CONDENSER 12.5 uF DUCATI 416.33.3029		
-	532022808	MICRO CROUZET EF83161,3		
-	532023200	MICROINT CROUZET EF83161.3		
-	532803200	PLASTIC FOOT		
-	537050900	ENEA MAIN POWER BOARD		
-	537060000	RIGHT STONES COUPLE D 63,5		
-	538037000	POTENTIOMETER		
-	965090000	LOCK GATE		
-	965100000	HANDLE		
-	965213000	RING NUT FOR MIXER LOCK		
-	965227010	COFFEE SHAFT GASKET		
-	965228000	OR HANDLE		
-	965229000	LEVER DOSER HANDLE		
-	965240000	MICRO'S GASKET		
-	965282010	DOSING STAR		
-	965283000	STAR		
-	965340000	LIGHT SWITCH		
-	965471000	COGWHEEL		
-	968002000	MOTOR		
-	968024010	Bean hooper lid		
-	968028000	TAIN		
-	968037000	Dosing system shovel		
-	968038000	MOTOR 100 120 V 50/60 HZ		
-	968045000	Potentiometer gear		
-	968053000	Coffe drip plate		
-	968709010	Assembly panel		
-	968757020	ENEA DISPLAY CARD		
	⇒ 968757010	ENEA DISPLAY CARD		

