

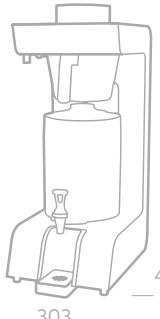
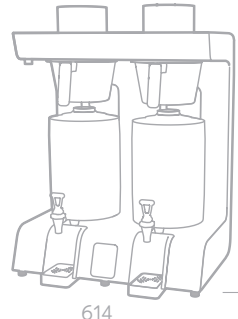




JET 6 2.8KW 1000851 JET 6 5.6KW 1000850	JET TWIN 1000855	DIMENSIONS	
			
<ul style="list-style-type: none"> • Single (6 litre) or Twin (12 litre) options • Pre-set recipe and volume options for morning, afternoon and evening • Variable batch volumes • Basket safety lock during brewing 		<ul style="list-style-type: none"> • Operator friendly and easy-to-use • Vacuum insulated urn for energy-efficiency and temperature retention • Two power options • 189 cups (180ml) per hour, per urn 	

PRECISE, PROGRAMMABLE BATCH BREWER FOR HIGHER VOLUME REQUIREMENTS.


ACCESSORIES

NAME ORDER CODE	DIMENSIONS (D x W x H mm)
Jet Grinder 1000891	370 x 188 x 559
Jet Urn 1700204	420 x 245 x 570
Jet Filter Papers - Case of 500 8000151	

PACKAGING

NAME ORDER CODE	PACKED WEIGHT	PACKAGING DIMENSIONS (L x W x H mm)	QUANTITY PER PALLET
Jet 6 2.8kW 1000851	24kg	500 x 400 x 900	6
Jet 6 5.6kW 1000850	24kg	500 x 400 x 900	6
Jet Twin 1000855	28kg	500 x 710 x 920	2
Jet Grinder 1000891	25kg	580 x 300 x 800	12
Jet Urn 1700204	7kg	640 x 310 x 440	16

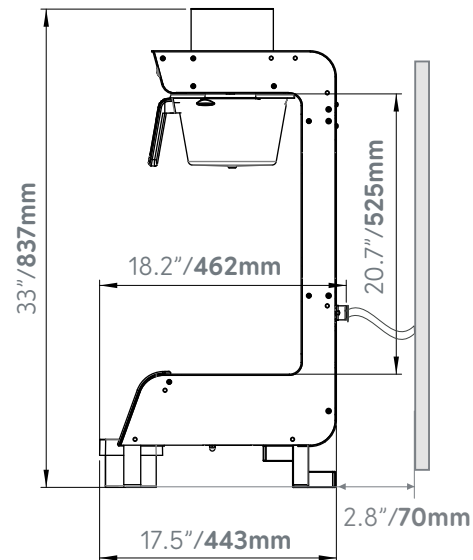
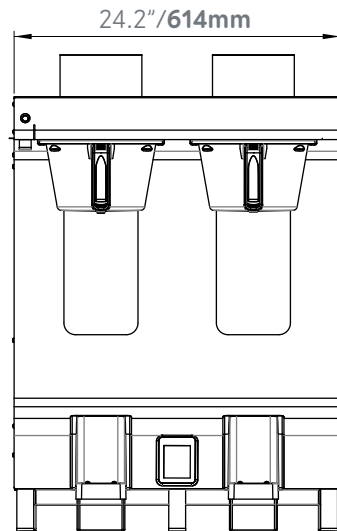
ASSOCIATED PRODUCTS (SOLD SEPARATELY)

REQUIRED	OPTIONAL
JET URN 1700204	JET GRINDER 1000891
	

BREWERS

NAME ORDER CODE	POWER @ 230V	FULL BREW	CUPS PER HOUR	DIMENSIONS (D x W x H mm)	PLUMBING REQS
Jet 6 2.8kW 1000851	2.8kW	6 L	250	462 x 303 x 840	3/4" BSP
Jet 6 5.6kW 1000850	5.6kW	6 L	156	462 x 303 x 840	3/4" BSP
Jet Twin 1000855	5.6kW	6 L (per urn)	250	462 x 614 x 837	3/4" BSP

JET TWIN BATCH BREWER

JET TWIN
1000855

VENTILATION REQUIREMENTS

- Back: 70mm/2.7"
- Sides: 50mm/1.9"

Clearance required around machine if installed in an enclosed cabinet.

ELECTRICAL INSTALLATION PROCEDURE

When installing the machine, always observe the local regulations and standards. The standard machine is supplied with a UK 3-pin plug. For EU models a 2-pin CEE-7 plug will be supplied. US models will be supplied with the suitable plug. A suitable mains power supply socket should be available within easy access of the appliance so that it can be disconnected easily after install.

PLUMBING INSTALLATION PROCEDURE

- Ensure that the equipment is installed according to local plumbing & water regulations.
- Mains water pressure required (limits): 14.5 -145psi (100 -1000kPa, 0.1 - 1MPa).

- The inlet water must be potable and free of contaminants.
- Requires inline water filter within your water specifications.
- The machine is supplied with a 3/4" BSP connection.
- Turn on the water to flush any impurities, dust etc from the inlet hose and water pipe. Allow several litres through, Especially for new installations.
- Connect the hose to the inlet valve of the machine. Make sure a sealing washer is fitted.
- Turn on water and check for leaks.

OPERATING THE APPLIANCE FOR THE FIRST TIME

- Check that all installation procedures have been carried out.
- Ensure water valve is on. Plug machine into an appropriate electrical supply and switch on the rocker switch under the machine. Follow the instructions on the screen.