



## Smart Pour™ Variable Temperature Kettle

BKV12S02 series

### Features:

- Precise digital temperature selection
- Generous 1.2 liter capacity
- Actual temperature in kettle displayed on LCD
- Temperature displayed in Fahrenheit and Celsius
- Common temperature presets
- Auto-start: wake up ready to make a perfect brew
- Keep warm feature maintains temperature for up to one hour
- Durable 25 gauge 300 series food grade stainless steel
- Gooseneck spout for accurate pour control
- Ergonomically balanced easy-grip handle
- Auto-off function
- Removable power cord (in markets outside of North America)



\*Product base is slightly taller in markets outside of North America to accommodate removable power cord.

MSRP: \$98.95 USD<sup>†</sup>  
 contact [sales@mybrewista.com](mailto:sales@mybrewista.com) to order



<sup>†</sup>All prices subject to change.

### Smart Pour™ Variable Temperature Kettle

The Brewista Smart Pour™ Variable Temperature Digital Kettle does it all for you. Made of 25 gauge 300 series stainless steel, the Smart Pour™ is built to last. Precise digital control heats water to within one degree, plus or minus. The current water temperature is displayed and can be changed from Celsius to Fahrenheit at the push of a button. Auto-start feature lets users set the time at which the kettle will reach the selected temperature and the auto-off function keeps you safe by shutting down if left unattended for over 60 minutes. With a precise keep warm feature the set temperature will be maintained for up to one hour. Its latte art inspired gooseneck spout pours with ultimate accuracy. A generous 1.2 liter capacity, redesigned easy grip handle and lift off base (no cord to interfere with pouring) make it perfect for serving all day.

Removable power cord in markets outside of North America.

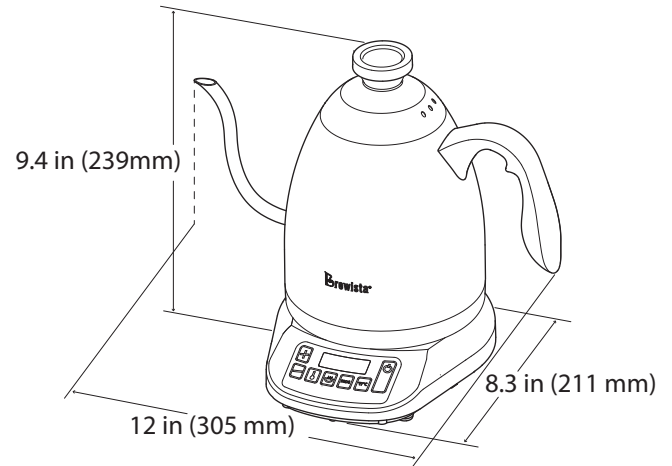
## Smart Pour™ Variable Temperature Kettle

BKV12S02 series

### Parts and Materials:

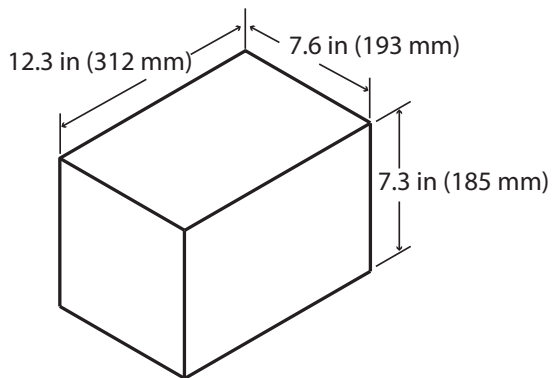
- Lid:  
Stainless steel and BPA free polypropylene
- Handle:  
Phenolic resin
- Kettle body:  
25 gauge, food grade 300 series stainless steel
- Base:  
BPA free polypropylene

### Dimensions:

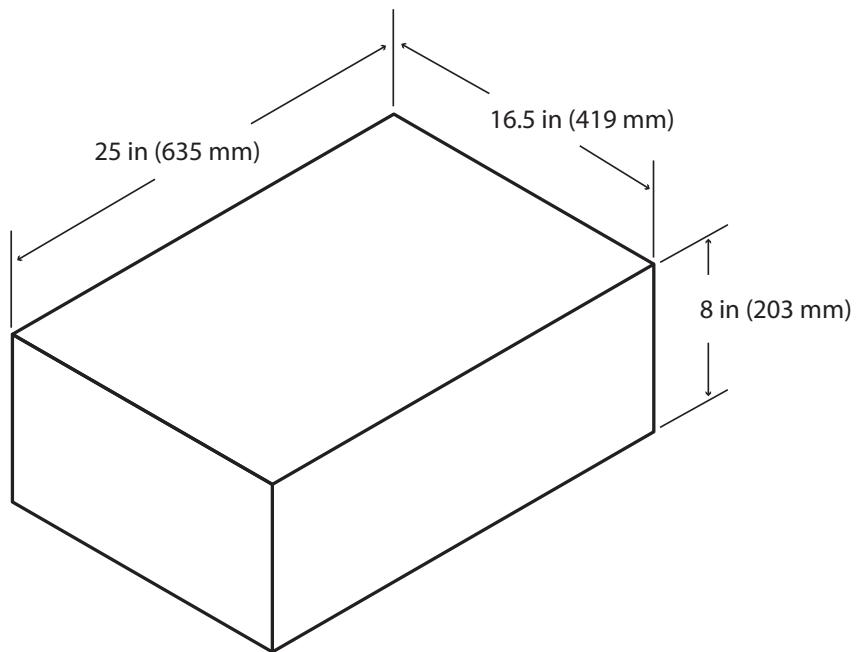


### Shipping Information:

#### Product box dimensions



#### Shipping carton dimensions (4 pieces per carton)



\*Product base and packaging is slightly taller in markets outside of North America to accommodate removable power cord.