



*coffeeing the World*

# CLASSE 7 USB/16



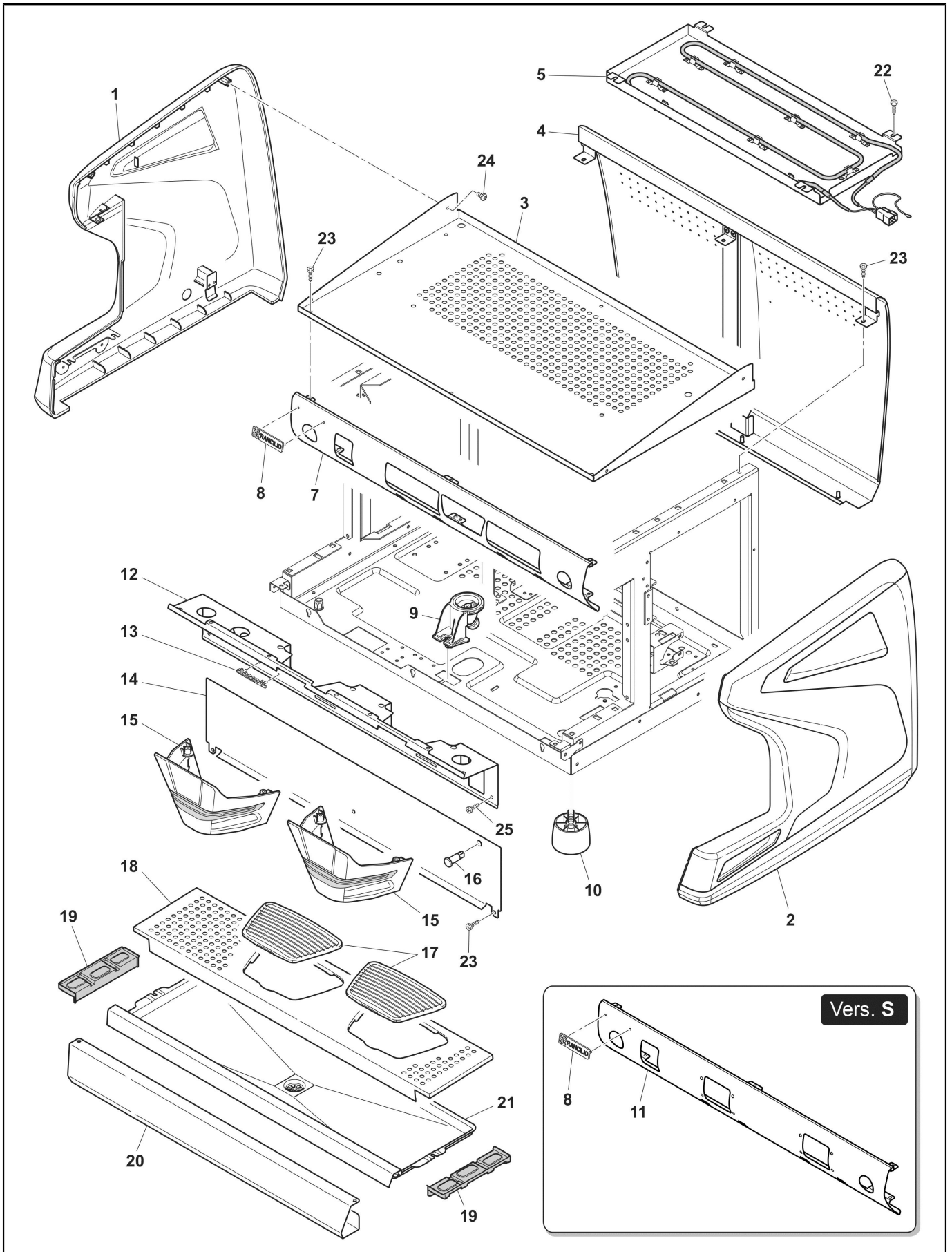
## CLASSE 7



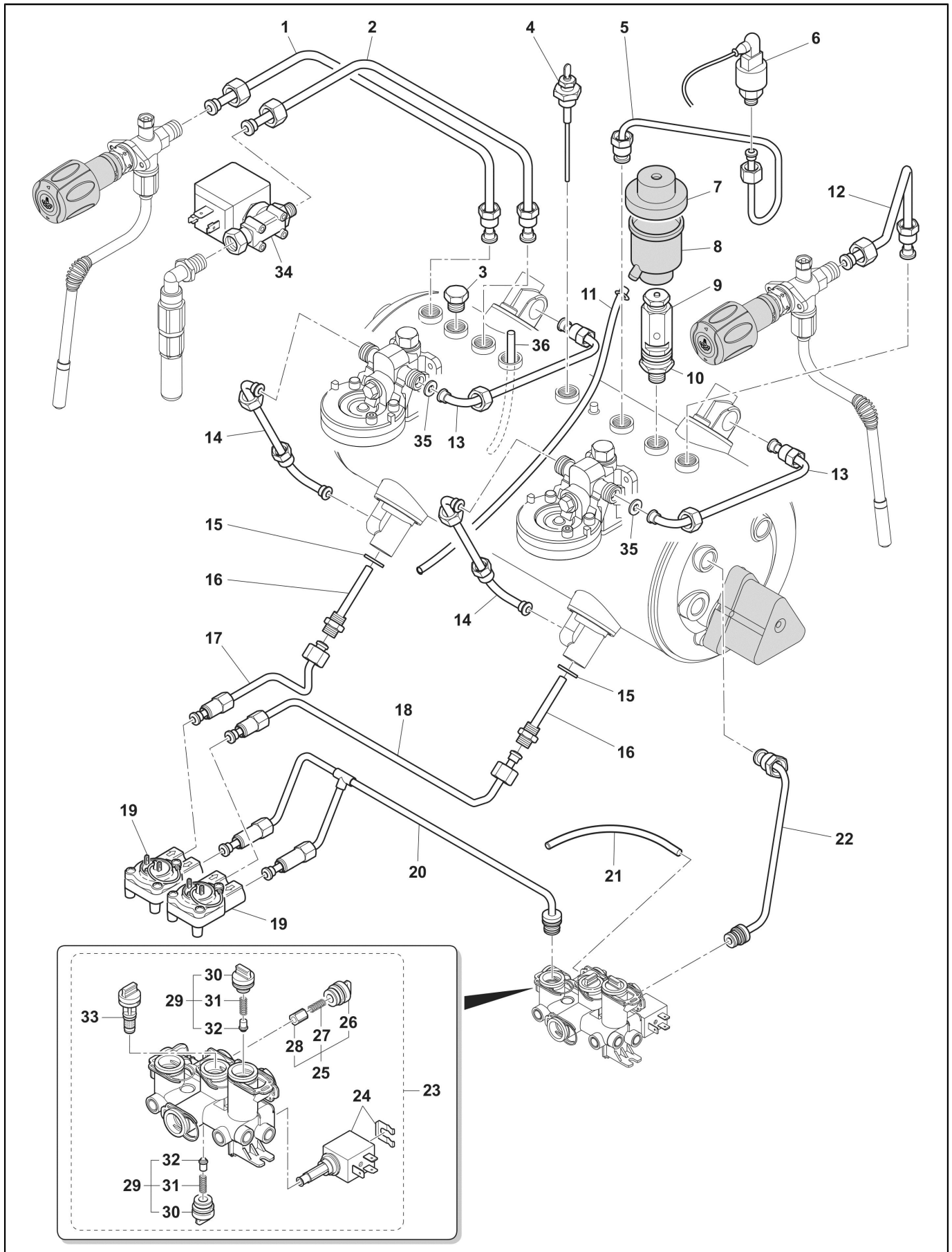
*coffeeing the World*

## Index

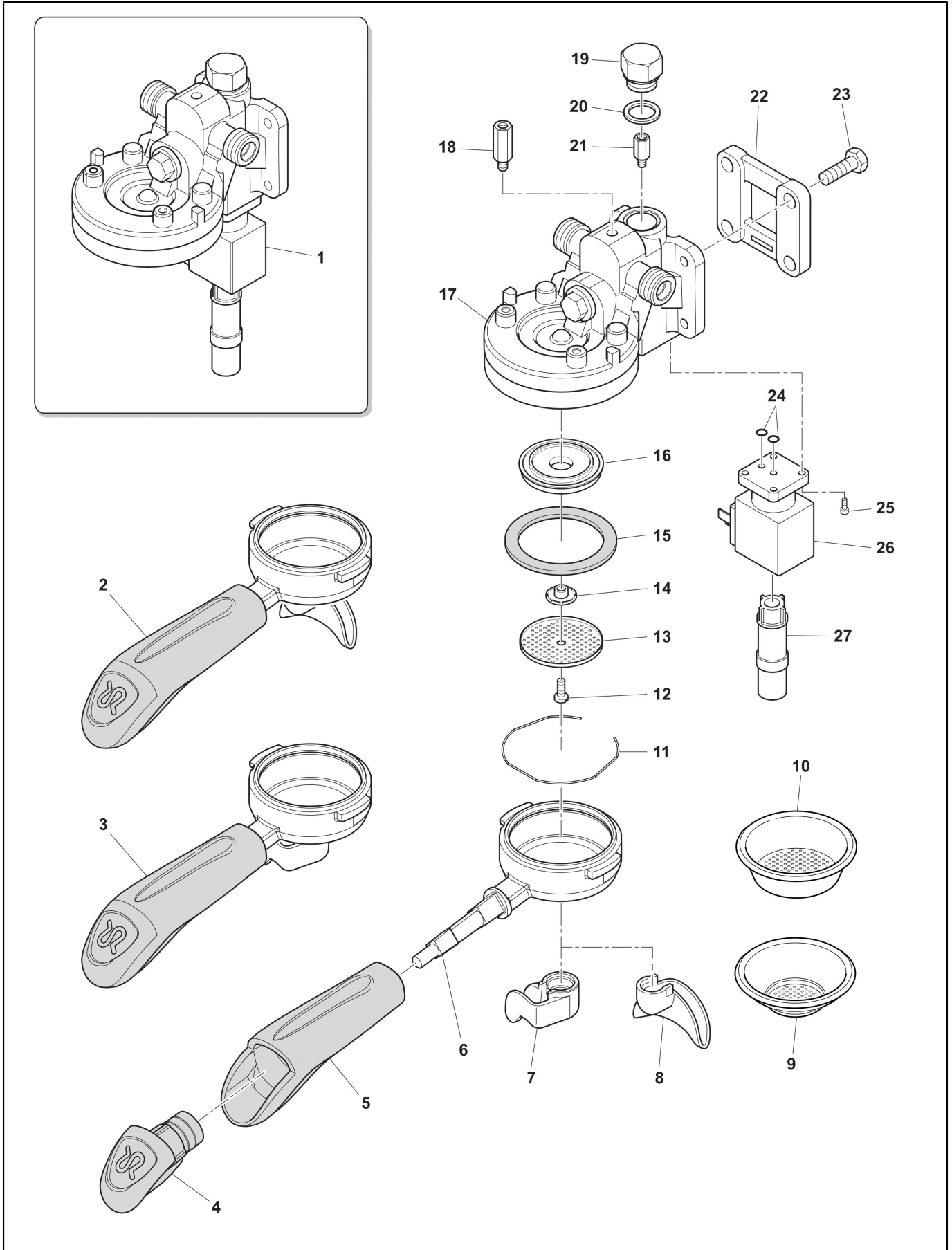
Table 1000 - Body.....	4
Table 2016 - HYDRAULIC CIRCUIT USB.....	6
Table 2004 - BREWING GROUP 110-220V.....	8
Table 2006 - Water spout .....	10
Table 2007 - STEAM TAP.....	12
Table 2003 - BOILER/MOTOR PUMP.....	14
Table 3006 - ELECTRIC/ELECTRONIC PARTS USB.....	16
Table 4000 - Clever Steam Tap .....	18
Alphanumeric index.....	20



POS.	CODE	DESCRIPTION	NOTES
1	10701188	SIDE PANEL LEFT BLACK CLASSE 5-7/16	
	10701260	SIDE PANEL LEFT WHITE CLASSE 5-7/16	
2	10701187	SIDE PANEL RIGHT BLACK CLASSE 5-7/16	
	10701259	SIDE PANEL RIGHT WHITE CLASSE 5-7/16	
3	32331957	TOP LID 2GR CLASSE 5-7/16	
	32331958	TOP LID 3GR CLASSE 5-7/16	
4	32331992	REAR PANEL 2GR CLASSE 7/16	
	32331993	REAR PANEL 3GR CLASSE 7/16	
5	10701319	KIT CUPWARMER+SCREWS 2GR	
	10701320	KIT CUPWARMER+SCREWS 3GR	
7	32331931	CONTROL PANEL 2GR CLASSE 7 USB	
	32331932	CONTROL PANEL 3GR CLASSE 7 USB	
8	42200121	RANCILIO PLATE MM 70	
9	38120578	DRAIN TRAY CANALIZER	
10	38123568	COFFEE MACHINE LEG	
	38123852	RISER FOR COFFEE MACHINE LEG	
11	32331933	CONTROL PANEL 2GR CLASSE 7 S	
	32331934	CONTROL PANEL 3GR CLASSE 7 S	
12	32331943	UPPER FRONT PANEL 2GR CLASSE 7/16	
	32331944	UPPER FRONT PANEL 3GR CLASSE 7/16	
13	42200131	CLASSE 7 PLATE	
14	32331948	LOWER FRONT PANEL 2GR CLASSE 7/16	
	32331949	LOWER FRONT PANEL 3GR CLASSE 7	
15	38120282	GROUP COVER CLASSE 7/16	
	38120291	LED GLASS CLASSE 7/16	
16	34030110	ROUND ORANGE LAMP	
17	38123666	CUP TRAY MC/07	
18	32331990	CUP GRATE 2GR CLASSE 7/16	
	32331991	CUP GRATE 3GR CLASSE 7/16	
19	38120286	SIDE CUP TRAY SUPPORT MC/15	
20	32331938	LOWER PANEL 2GR CLASSE 7/16	
	32331939	LOWER PANEL 3GR CLASSE 7/16	
21	10781366	DRAIN TRAY 2GR CLASSE 7/16	
	10781367	DRAIN TRAY 3GR CLASSE 7/16	
22	37030521	SCREW M5X12	
23	37154212	SCREW 4,2X13	
24	37030408	SCREW M 4 X 8	
25	37154212	SCREW 4,2X13	

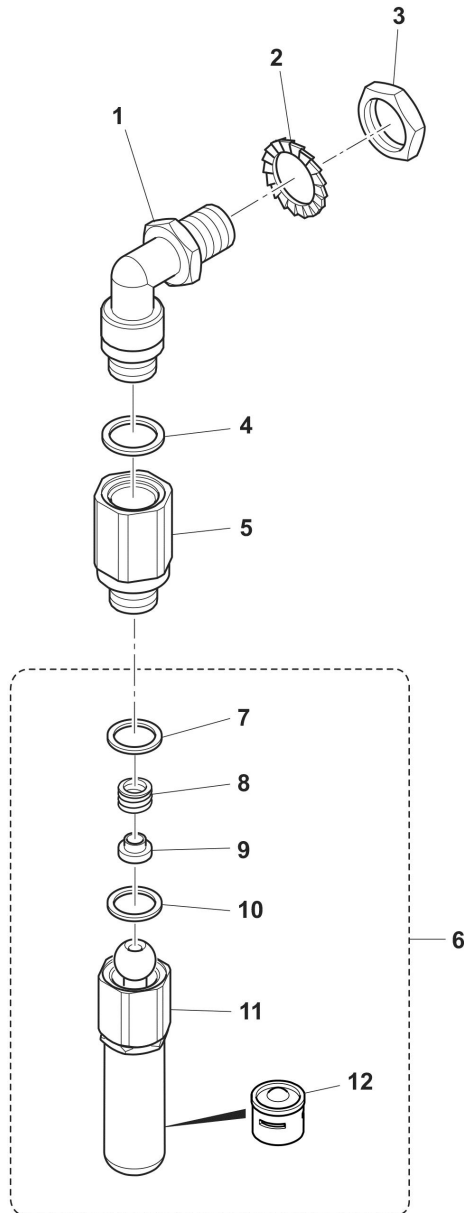


POS.	CODE	DESCRIPTION	NOTES
1	10043217	ECO TUBO 8X6 F3/8-M3/8 PIEGATO-CU-RUB.VAP.SX-CALD.	
2	10043218	ECO TUBO 8X6 F1/4-M3/8 PIEGATO-CU-ACQUA-CALDAIA C7	
3	23000368 27350001	ECO TAPPO 3/8 X SCAMBIATORE-OT- GASKET 3/8 X 1 COPPER GAS	
4	34200088	LEVEL PROBE ASSEMBLY	
5	10043219	ECO TUBO 8X6 TRASD.HUBA PIEGATO-CU-C7 USB	
6	34200288	PRESSURE SENSOR	
7	38123946	SECURITY VALVE TOP	
8	38123947	DRAIN TANK SECURITY VALVE	
9	10060525	SAFETY VALVE	
10	23000359	SAFETY VALVE EXTENSION	
11	38228002	SILICONE HOSE D. 9 X 6MML = 560 MM	
12	10043216	ECO TUBO 8X6 F3/8-M3/8 PIEGATO-CU-RUB.VAP.DX-CALD.	
13	10044097	PIPE CIRCULATION UPPER F1/2-M1/2 MC/15	
14	10044098	PIPE CIRCULATION LOWER F1/2-M1/2 MC/15	
15	27350001	GASKET 3/8 X 1 COPPER GAS	
16	10042004	INJECTION PIPE 127	
17	10042156 10042157	ECO TUBO 6X4 VENT-SCAMB.SX F1/4-M1/4 MC/15 ECO TUBO 6X4 VENT-SCAMB.CENTR.F1/4-M1/4 MC/15	
18	10042158	ECO TUBO 6X4 VENT-SCAMB.DX F1/4-M1/4 MC/15	
19	34070060	FLOWMETER HORIZ. CONNECTION	
20	10046079 10046080 36404052	ECO TUBO COLLETT-VENTOL.2GR. MC/15 ECO TUBO COLLETT-VENTOL.3GR. MC/15 O-RING 9,16 X 2,62 F 3037	
21	38228002	SILICONE HOSE D. 9 X 6MML = 560 MM	
22	10042226 36404052	ECO TUBO 6X4 SN-M3/8 PIEGATO CARICO ACQUA CALD.NEW O-RING 9,16 X 2,62 F 3037	
23	10701245 10701246	HYDRO HUB 120V 60HZ HYDRO HUB 230V	
24	69140014 69140015	OPERATOR KIT 220-240V HYDRAULIC MODULE OPERATOR KIT 110-120V HYDRAULIC MODULE	
25	69140009	PRESSURE RELIEF VALVE HYDRAULIC MODULE	
26	69140019	PRESSURE RELIEF VALVE CAP	
27	69140010	SPRING PRESSURE RELIEF VALVE HYDRAULIC MODULE	
28	69140011	PLUNGER PRESSURE RELIEF VALVE HYDRAULIC MODULE	
29	69140007	CHECK VALVE HYDRAULIC MODULE	
30	69140016	CHECK VALVE CAP	
31	69140018	CHECK VALVE SPRING	
32	69140017	CHECK VALVE PISTON	
33	69140006	FILTER HYDRAULIC MODULE	
34	10060518	ELECTROVALVE HOT WATER 230V	
35	23125009	GROUP RESTRICTION 3.5MM	
36	27120130	HOT WATER SUCTION PIPE	

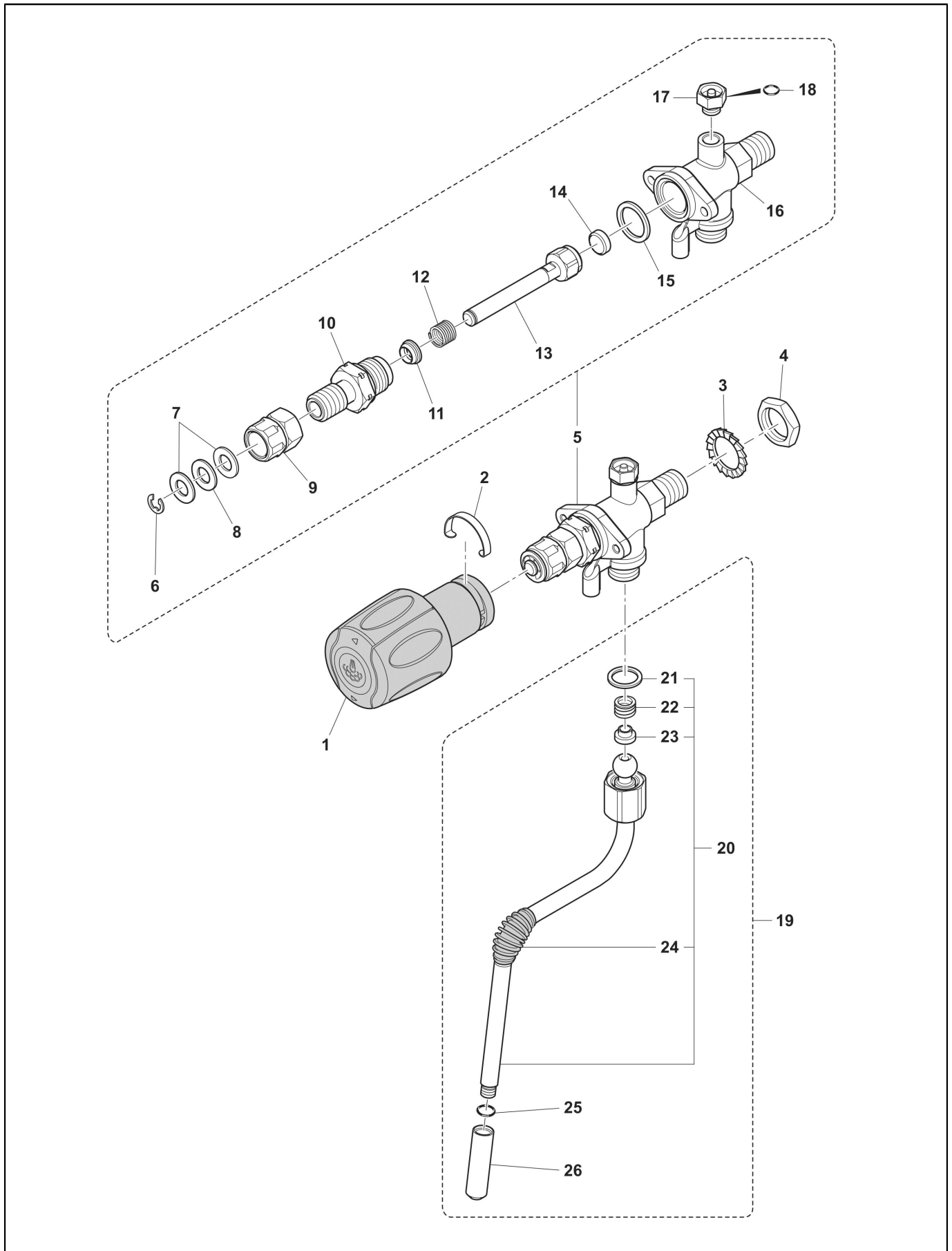




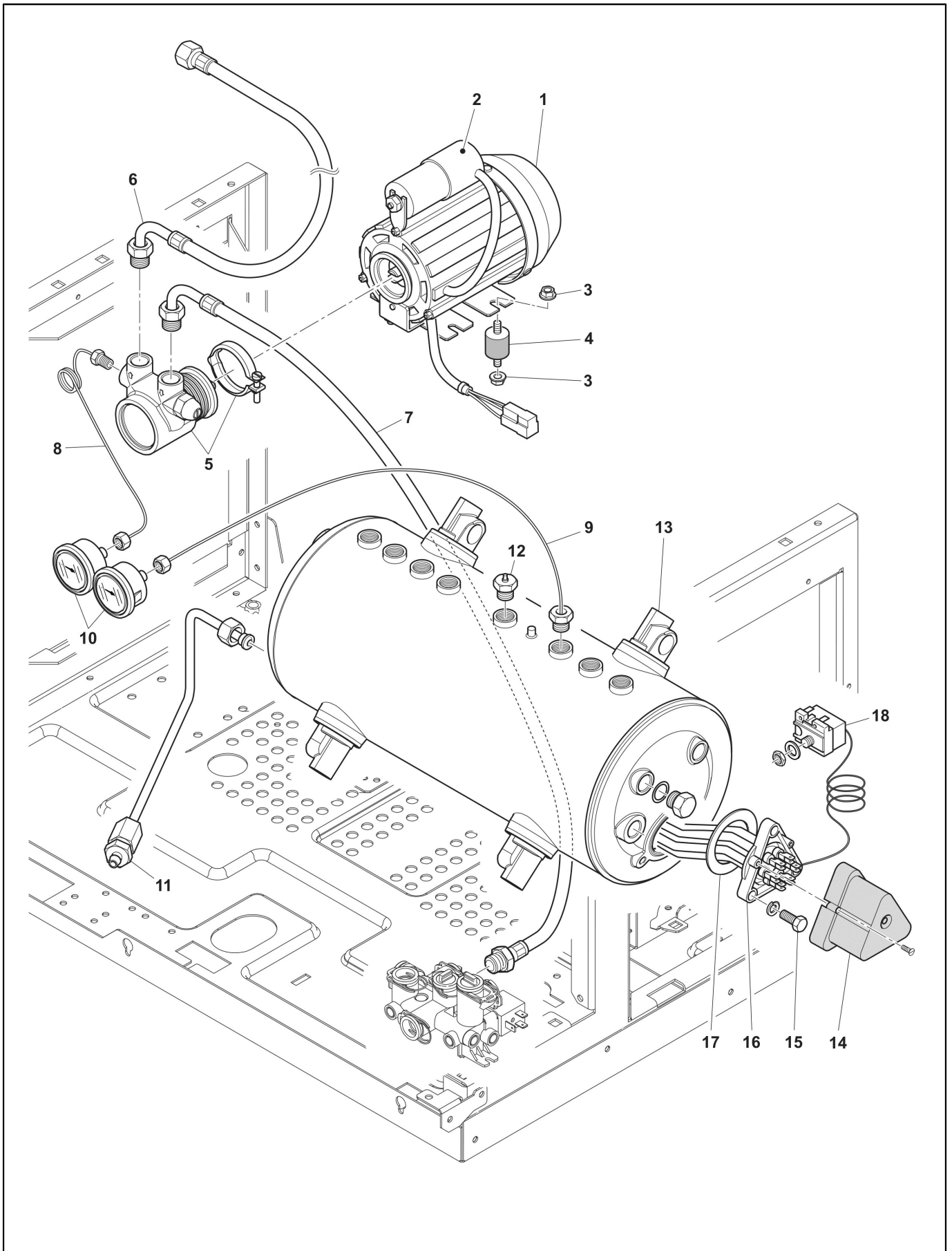
POS.	CODE	DESCRIPTION	NOTES
1	10051191	BREWING GROUP VERT. JET 230V	
	10051192	BREWING GROUP VERT. JET 110V	
2	10071137R	PORTAF.MC/09 2DOSI CONFEZIONATO	
3	10071118R	PORTAF.MC/09 1DOSE CONFEZIONATO	
4	10705535	FILTERHOLDER CAP WITH RING	
5	10705091	KIT FILTER HOLDER TAP 07	
6	20112211	FILTER HOLDER BODY MC/09	
7	21102601	1 CUP BEAK MC/09	
8	21100801	2 CUP BEAK MC/09	
9	40100001	1 CUP FILTER LOW	
	40100005	1 DOSE DEEPER FILTER	
	40100101	1 CUP CALIBRATED FILTER	
10	40100010	2 CUP FILTER	
	40100090	DEEPER 2 CUP FILTER	
	40100102	2 CUP CALIBRATED FILTER	
	40100103	DEEPER FILTER 2 CUP CALIBRATED	
11	25105005	FIX.FILTER SPRING	
12	37030518	SHOWER SCREW	
13	40200005	SHOWER NET	
14	25139001	GROUP JETBREAKER	
15	36301046	GROUP GASKET PEROSSIDICA HP	
16	20200182	SHOWER HOLDER BRASS	
	20200182N	SHOWER HOLDER NICKEL PLATE	
	20200183	SHOWER SCREEN HOLDER LOW PROFILE	
	20200183N	REDUCED SHOWER HOLDER NICKEL	
17	20200053N	BREWING GROUP BODY VERT. JET NICKEL	
	20200053P	BREWING GROUP BODY VERT. JET	
18	23000311	SPACER M6 X 30	
	37040611	INOX SCREW M 6 X 10	
19	23000227	GROUP JET CAP	
20	27400002	BREWING CHAMBER TAP GASKET	
21	10060612	BREWING GROUP FLOW LIMITER ASSY.	
22	21300710	GROUP SPACE SLEEVE	
23	37040830	SCREW M 8X30	
24	36402005	O-RING ELECTROVALVE	
25	37060413	SCREW M 4 X 12	
26	34040149	ELECTROVALVE 3/2 WAY UL 208-240 SIRAI	
	34040150	ELECTROVALVE 3/2 WAYS 110-120V UL SIRAI	
27	10090002	THERM.GROUP JETBREAKER	



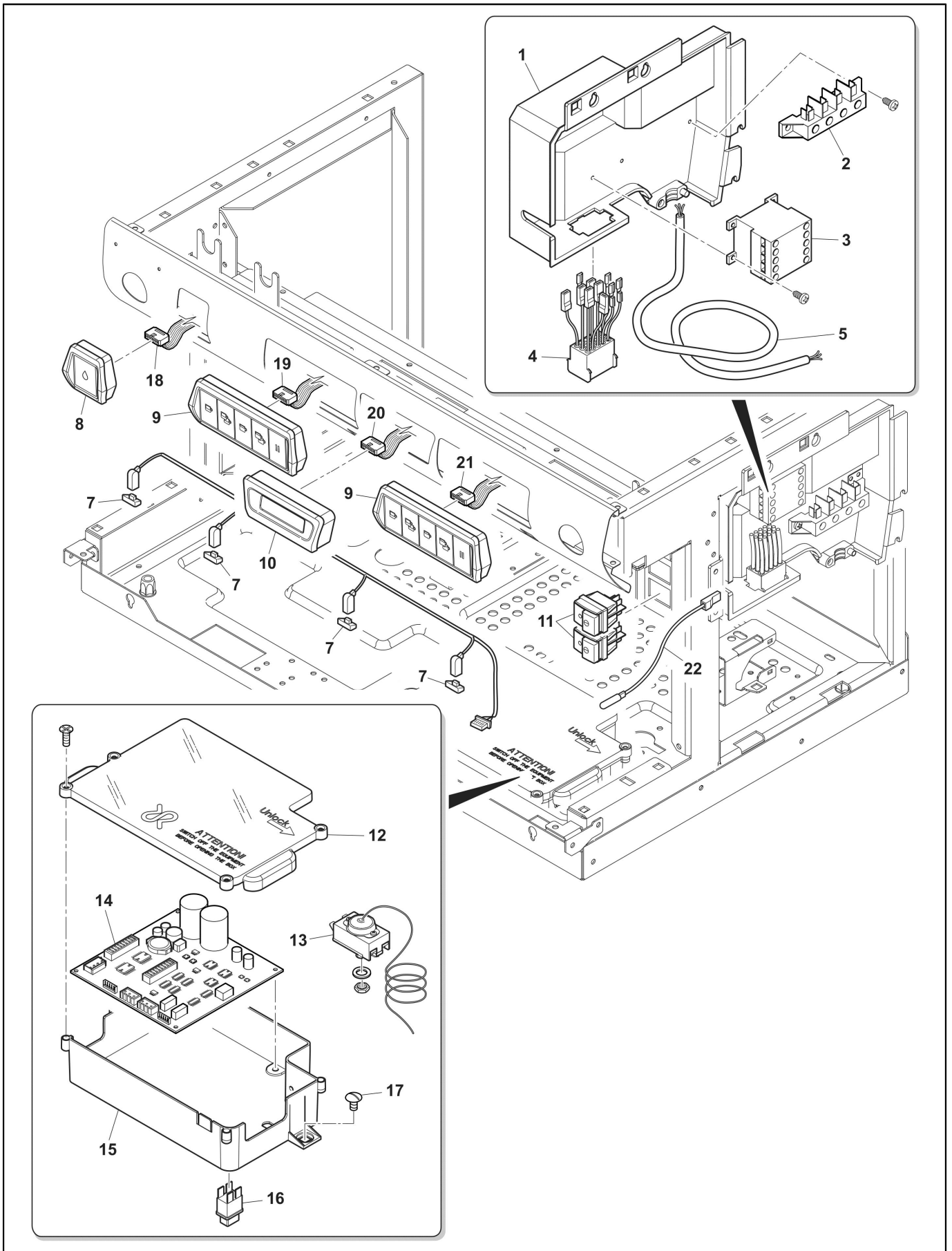
POS.	CODE	DESCRIPTION	NOTES
1	20200113	HOT WATER CONNECTION BRASS	
2	37431600	OUTER TOOTHED WASHER D16	
3	26220005	FLAT NUT 3/8	
4	36220009	GASKET NUT NOTE TEFLON	
5	23000158	EXTENSION TAP	
6	10702033	ASSIEME ELV ACQUA-230V C5 COMP.-AI-	
7	36220009	GASKET NUT NOTE TEFLON	
8	39110038	SPRING	
9	36930016	GASKET	
10	36930017	TEFLON GASKET FOR STEAM WAND NUT	
11	10705079	JETBREAKER+SPRAYER	
12	25135020	WATER SPRAYER FILTER C7	



POS.	CODE	DESCRIPTION	NOTES
1	10060189	STEAM HANDLE/16	
2	32210001	STEAM HANDLE SPRING	
3	37431600	OUTER TOOTHED WASHER D16	
4	26220005	FLAT NUT 3/8	
5	10060141	STEAM TAP+A.V. VALVE CLASSE 5/7	
6	37510700	ELASTIC RING D.7	
7	32239044	NEW STEAM COCK WASHER	
8	36230001	TEFLON WASHER	
9	23220029	REG BUSH FOR NEW COCK	
10	23000302	STEM GUIDE PTFE	
11	36990078	SHAFT GASKET FAST TAP	
12	39110035	WATER-STEAM COCK SPRING	
13	10060002	ROD+NUT AND STEAM COCK GASKET	
14	36301105	GASKET FOR NUT STEAM TAP EPDM	
15	27400001	GASKET COPPER COMPASS RE GROUP	
16	10060022	STEAM TAP BODY WITH COMPASS	
17	10705180	KIT AV VALVE STEAM TAP	
18	36404058	ORING 3,68 X 1,78 EPDM 70SH TEFLON	
19	10701387	STEAM WAND+TIP+JUNCTION	
20	10049123	STEAM WAND MC/15	
21	36301105	GASKET FOR NUT STEAM TAP EPDM	
22	39110038	SPRING	
23	36930016	GASKET	
24	36990004	RUBBER FOR STEAM PIPES	
25	36404022	O-RING 6,4 X 1,9 R5A	
26	23212033	NEW SPAYER LG 25	
27	36930017	TEFLON GASKET FOR STEAM WAND NUT	

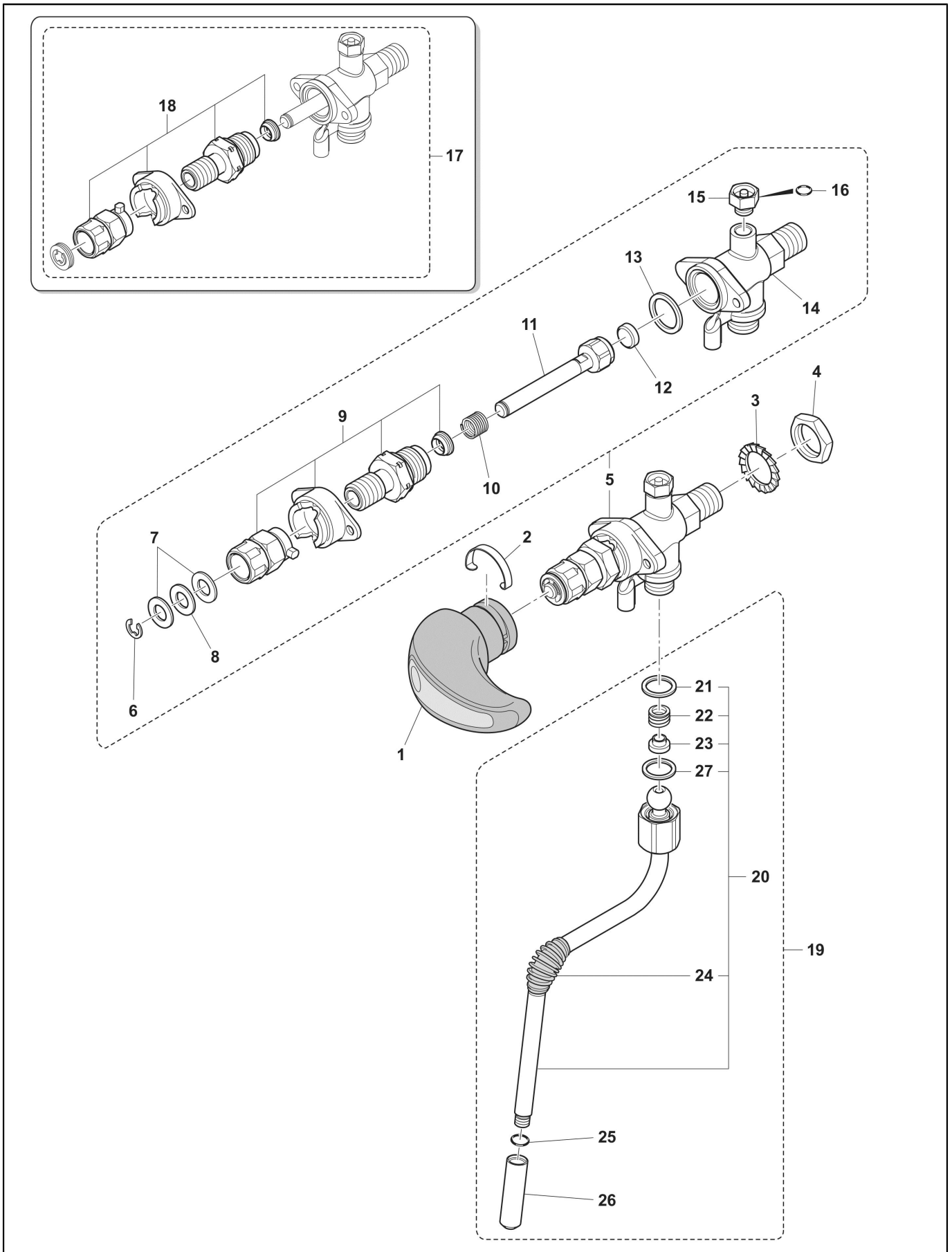


POS.	CODE	DESCRIPTION	NOTES
1	34011102	VM MOTOR 230V	
2	34020014	L6 CONDENSER VM V.220	
3	80134961	NUT M6	
4	36322003	ANTI-VIBRATING DEVICE	
5	69000993	VOLUMETRIC PUMP VM 200L/H &quot;RANCILIO&quot;	
6	69000734	FLEX PIPE MM1800 WITH ELBOW+CHECK VALVE	
	69000735	FLEX PIPE MM2300 WITH ELBOW+CHECK VALVE	
7	69000826	FLEX PIPE 3/8M-HYDRO HUB 960MM BEND	
	69000827	FLEX PIPE 3/8M-HYDRO HUB 1190MM BEND	
8	69000243	PIPE CAPILLARY MANOMETER F1/8-M1/8	
9	10041042	PIPE 4 X 3 MML = 600 MM	
10	35002512	GAUGE BOILER MC/15	
	35002513	GAUGE PUMP MC/15	
11	10043007	BOILER DISCHARGE PIPE COMPL.	VERSIONE CON SCARICO LATERALE VERSION WITH SIDE DRAIN
	10043020	ECO TUBO 8X6 SCARICO CALDAIA MC COMPLETO	VERSIONE PER SCARICO CENTRALE VERSION WITH CENTRAL DRAIN CONNECTION
12	10060061	EVO ANTIVACUUM SOLENOID	
13	10701376	BOILER RETROFIT KIT 2GR	
	10701377	BOILER RETROFIT KIT 3GR	
	10701397	RETROFIT KIT CALDAIA 2GR NICHELATA	
	10701398	RETROFIT KIT CALDAIA 3GR NICHELATA	
14	38123665	COVER HEATING ELEMENT	
15	37040821	SCREW M 8X22	
16	33323004	HEATING ELEMENT CAPILL. 230V/4300W	
	33323006	HEATING ELEMENT+CAPILLAR 230V 6000W	
17	36930012	GASKET RESISTANCE TEFLON	
18	34200329	SALVARES.TECASA CON TAPPO IN METALLO	





POS.	CODE	DESCRIPTION	NOTES
1	10110900	ELECTRIC BOX 230V MC/16	
2	34150026	CLAMP 4 POSITION	
3	34200331	MINI-CONTACTOR 110V	
	34200333	MINI-CONTACTOR ABB 220/240V	
4	10110655	WIRING POWER	
5	34300073	CABLE	
7	10110934	LIGHT WIRE CLASSE 7/16 2 GR	
	10110935	LIGHT WIRE CLASSE 7/16 3 GR	
	34070048	LED WORKING AREA CLASSE 7/16	
	38120291	LED GLASS CLASSE 7/16	
8	10701191	WATER BUTTON CLASSE 7/16	
9	10701190	COFFEE KEYBOARD CLASSE 7 USB	
10	10701193	DISPLAY CLASSE 7 USB	
11	34030971	SWITCH GREEN LIGHT	
12	38120582	MAIN BOARD LID MC/15	
13	34200329	SALVARES.TECASA CON TAPPO IN METALLO	
14	10701309	KIT MAIN BOARD C7 USB	
	10701338	KIT MAIN BOARD C7 USB 110V	
15	10110909	ELECTRONIC BOX 230V CLASSE 7 USB/16	
	38120519	USB DRIVE CAP	
16	34030145	MAIN SWITCH	
17	34200103	PLASTIC CLOSING SCREW	
19	10110923	KEYBOARD WIRING 2GR CLASSE 5-7 USB 1POS.	2gr: 1st group
	10110924	KEYBOARD WIRING 2-3GR CLASSE 5	3gr: 1st group
20	10110926	WIRING DISPLAY CLASSE 7 MC15	
21	10110924	KEYBOARD WIRING 2-3GR CLASSE 5	3gr: 1st group
	10110925	KEYBOARD WIRING 3GR CLASSE 5-7 USB 2POS.	3gr: 3rd group
	10110927	KEYBOARD WIRING 4GR CLASSE 5-7 USB 3POS.	3gr: 2nd group
22	34030116	NEON LAMP	



POS.	CODE	DESCRIPTION	NOTES
1	10060181	HANDLE CLEVER	
2	32210001	STEAM HANDLE SPRING	
3	37431600	OUTER TOOTHED WASHER D16	
4	26220005	FLAT NUT 3/8	
5	10060140	CLEVER STEAM TAP RIGHT+A.V. VALVE	
6	37510700	ELASTIC RING D.7	
7	32239044	NEW STEAM COCK WASHER	
8	36230001	TEFLON WASHER	
9	10701239	KIT CLEVER/15 CAMS PEEK RIGHT	
10	39110035	WATER-STEAM COCK SPRING	
11	10060002	ROD+NUT AND STEAM COCK GASKET	
12	36301105	GASKET FOR NUT STEAM TAP EPDM	
13	27400001	GASKET COPPER COMPASS RE GROUP	
14	10060022	STEAM TAP BODY WITH COMPASS	
15	10705180	KIT AV VALVE STEAM TAP	
16	36404058	ORING 3,68 X 1,78 EPDM 70SH TEFLON	
17	10060139	CLEVER STEAM TAP LEFT+A.V. VALVE	
18	10701240	KIT CLEVER/15 CAMS PEEK LEFT	
19	10049125		
20	10049123	STEAM WAND MC/15	
21	36301105	GASKET FOR NUT STEAM TAP EPDM	
22	39110038	SPRING	
23	36930016	GASKET	
24	36990004	RUBBER FOR STEAM PIPES	
25	36404022	O-RING 6,4 X 1,9 R5A	
26	23212035	STEAM SPRAYER LG44 D1.5	
27	36930017	TEFLON GASKET FOR STEAM WAND NUT	

Code	No. table	Pos.
10041042	2003	9
10042004	2016	16
10042156	2016	17
10042157	2016	17
10042158	2016	18
10042226	2016	22
10043007	2003	11
10043020	2003	11
10043216	2016	12
10043217	2016	1
10043218	2016	2
10043219	2016	5
10044097	2016	13
10044098	2016	14
10046079	2016	20
10046080	2016	20
10049123	2007	20
10049123	4000	20
10049125	4000	19
10051191	2004	1
10051192	2004	1
10060002	2007	13
10060002	4000	11
10060022	2007	16
10060022	4000	14
10060061	2003	12
10060139	4000	17
10060140	4000	5
10060141	2007	5
10060181	4000	1
10060189	2007	1
10060518	2016	34
10060525	2016	9
10060612	2004	21
10071118R	2004	3
10071137R	2004	2
10090002	2004	27
10110655	3006	4
10110900	3006	1
10110909	3006	15
10110923	3006	19
10110924	3006	19
10110924	3006	21
10110925	3006	21
10110926	3006	20
10110927	3006	21
10110934	3006	7
10110935	3006	7
10701187	1000	2
10701188	1000	1
10701190	3006	9
10701191	3006	8
10701193	3006	10
10701239	4000	9
10701240	4000	18
10701245	2016	23
10701246	2016	23
10701259	1000	2
10701260	1000	1
10701309	3006	14
10701319	1000	5
10701320	1000	5
10701338	3006	14
10701376	2003	13
10701377	2003	13
10701387	2007	19
10701397	2003	13

Code	No. table	Pos.
10701398	2003	13
10702033	2006	6
10705079	2006	11
10705091	2004	5
10705180	2007	17
10705180	4000	15
10705535	2004	4
10781366	1000	21
10781367	1000	21
20112211	2004	6
20200053N	2004	17
20200053P	2004	17
20200113	2006	1
20200182	2004	16
20200182N	2004	16
20200183	2004	16
20200183N	2004	16
21100801	2004	8
21102601	2004	7
21300710	2004	22
23000158	2006	5
23000227	2004	19
23000302	2007	10
23000311	2004	18
23000359	2016	10
23000368	2016	3
23125009	2016	35
23212033	2007	26
23212035	4000	26
23220029	2007	9
25105005	2004	11
25135020	2006	12
25139001	2004	14
26220005	2006	3
26220005	2007	4
26220005	4000	4
27120130	2016	36
27350001	2016	15
27350001	2016	3
27400001	2007	15
27400001	4000	13
27400002	2004	20
32210001	2007	2
32210001	4000	2
32239044	2007	7
32239044	4000	7
32331931	1000	7
32331932	1000	7
32331933	1000	11
32331934	1000	11
32331938	1000	20
32331939	1000	20
32331943	1000	12
32331944	1000	12
32331948	1000	14
32331949	1000	14
32331957	1000	3
32331958	1000	3
32331990	1000	18
32331991	1000	18
32331992	1000	4
32331993	1000	4
33323004	2003	16
33323006	2003	16
34011102	2003	1
34020014	2003	2
34030110	1000	16

Code	No. table	Pos.
34030116	3006	22
34030145	3006	16
34030971	3006	11
34040149	2004	26
34040150	2004	26
34070048	3006	7
34070060	2016	19
34150026	3006	2
34200088	2016	4
34200103	3006	17
34200288	2016	6
34200329	2003	18
34200329	3006	13
34200331	3006	3
34200333	3006	3
34300073	3006	5
35002512	2003	10
35002513	2003	10
36220009	2006	4
36220009	2006	7
36230001	2007	8
36230001	4000	8
36301046	2004	15
36301105	2007	14
36301105	2007	21
36301105	4000	12
36301105	4000	21
36322003	2003	4
36402005	2004	24
36404022	2007	25
36404022	4000	25
36404052	2016	20
36404052	2016	22
36404058	2007	18
36404058	4000	16
36930012	2003	17
36930016	2006	9
36930016	2007	23
36930016	4000	23
36930017	2006	10
36930017	2007	27
36930017	4000	27
36990004	2007	24
36990004	4000	24
36990078	2007	11
37030408	1000	24
37030518	2004	12
37030521	1000	22
37040611	2004	18
37040821	2003	15
37040830	2004	23
37060413	2004	25
37154212	1000	23
37154212	1000	25
37431600	2006	2
37431600	2007	3
37431600	4000	3
37510700	2007	6
37510700	4000	6
38120282	1000	15
38120286	1000	19
38120291	1000	15
38120291	3006	7
38120519	3006	15
38120578	1000	9
38120582	3006	12
38123568	1000	10

Code	No. table	Pos.
38123665	2003	14
38123666	1000	17
38123852	1000	10
38123946	2016	7
38123947	2016	8
38228002	2016	11
38228002	2016	21
39110035	2007	12
39110035	4000	10
39110038	2006	8
39110038	2007	22
39110038	4000	22
40100001	2004	9
40100005	2004	9
40100010	2004	10
40100090	2004	10
40100101	2004	9
40100102	2004	10
40100103	2004	10
40200005	2004	13
42200121	1000	8
42200131	1000	13
69000243	2003	8
69000734	2003	6
69000735	2003	6
69000826	2003	7
69000827	2003	7
69000993	2003	5
69140006	2016	33
69140007	2016	29
69140009	2016	25
69140010	2016	27
69140011	2016	28
69140014	2016	24
69140015	2016	24
69140016	2016	30
69140017	2016	32
69140018	2016	31
69140019	2016	26
80134961	2003	3



## Headquarters, Production Plant and R&D Centers

### Rancilio Group s.p.a.

Viale della Repubblica 40  
20010 Villastanza di Parabiago  
Milano - Italy  
Tel +39 0331 408200  
Fax +39 0331 551437  
[www.ranciliogroup.com](http://www.ranciliogroup.com)  
[info@ranciliogroup.com](mailto:info@ranciliogroup.com)

### Egro Suisse AG

Bahnhofstrasse 66  
5605 Dottikon, Switzerland  
Tel. +41 (0)56 616 95 95  
Fax +41 (0)56 616 95 97  
[www.egrocoffee.com](http://www.egrocoffee.com)  
[info@egrocoffee.com](mailto:info@egrocoffee.com)

## Worldwide Branch Locations

### SPAIN

RancilioGroup Espana, s.a.  
Gran Via de Carlos III, 84 3ª  
Edificio Trade  
08028 Barcelona - Spain  
Tel. +34 902 884 275  
Tel. +34 934 923 414  
Fax +34 934 965 701  
[www.ranciliogroup.com](http://www.ranciliogroup.com)  
[info-es@ranciliogroup.com](mailto:info-es@ranciliogroup.com)

### PORTUGAL

Rancilio Group Portugal Lda  
Estrada da Falagueira nº 68 E  
2700-365 Amadora-Lisboa - Portugal  
Tel. +351 21 019 10 91  
Fax +351 21 019 10 91  
  
Rua Nova do Seixo 1282  
4465-706 Leça do Balio-Porto - Portugal  
Tel. +351 22 010 14 19  
Fax +351 22 010 14 19  
[www.ranciliogroup.com](http://www.ranciliogroup.com)  
[info-pt@ranciliogroup.com](mailto:info-pt@ranciliogroup.com)

### GERMANY

Rancilio Group Deutschland GmbH  
Talstrasse 27  
97990 Weikersheim - Germany  
Ph. +49 7934 99 29 30  
Fax +49 7934 99 29 330  
[www.ranciliogroup.de](http://www.ranciliogroup.de)  
[info-de@ranciliogroup.com](mailto:info-de@ranciliogroup.com)

### SWITZERLAND

Egro Suisse AG  
Bahnhofstrasse 66  
5605 Dottikon - Switzerland  
Tel. +41 (0)56 616 95 95  
Fax +41 (0)56 616 95 97  
[www.egrosuisse.ch](http://www.egrosuisse.ch)  
[info@egrosuisse.ch](mailto:info@egrosuisse.ch)

### USA/CANADA

Rancilio Group North America Inc.  
1340 Internationale Parkway / Suite 200  
Woodridge, IL 60517 - U.S.A.  
Ph: +1 630 914 7900  
Fax: +1 630 914 7901  
Toll Free: +1 877 726 2454  
[www.ranciliogroup.com](http://www.ranciliogroup.com)  
[info@ranciliogroupna.com](mailto:info@ranciliogroupna.com)

