



coffeeing the World

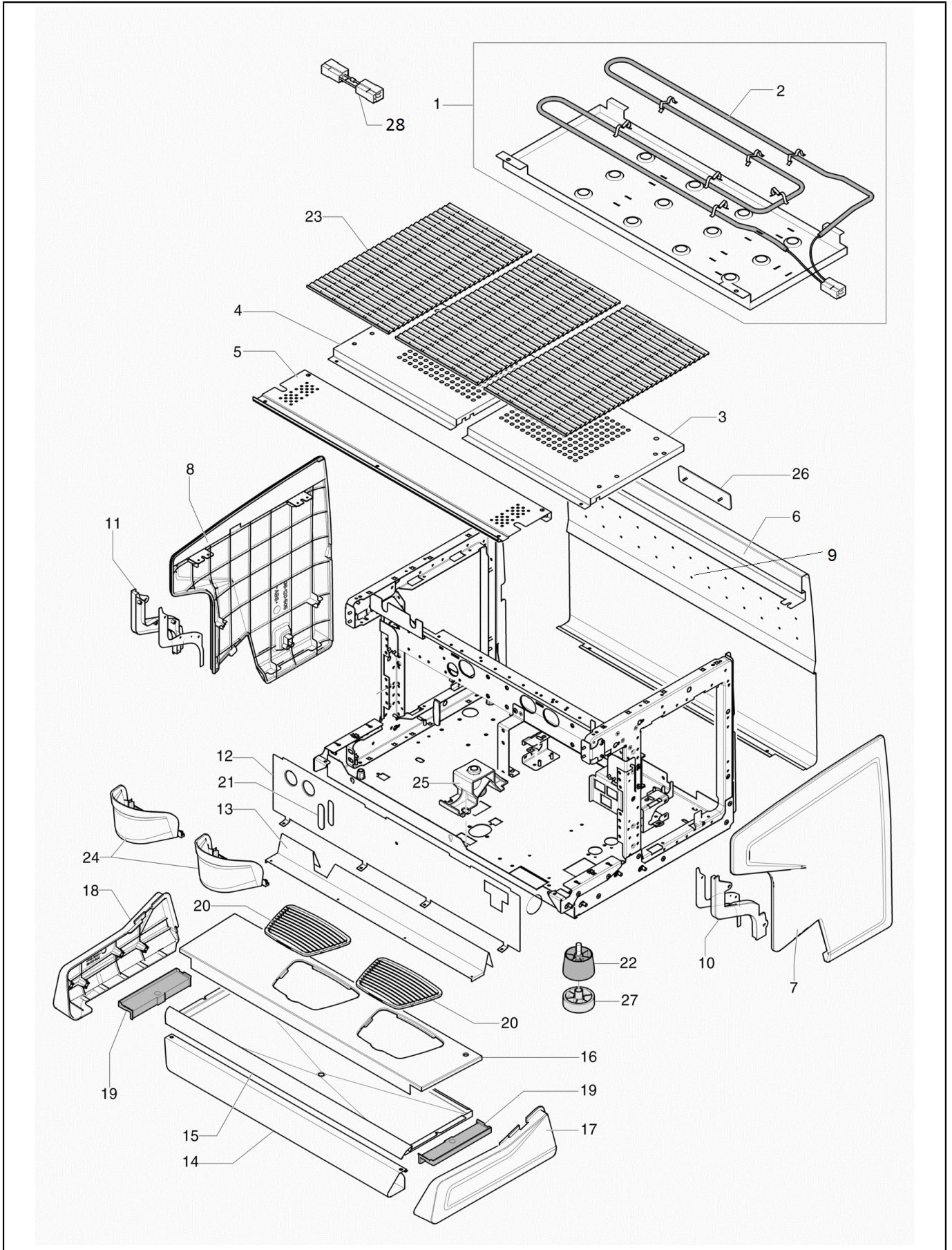
CLASSE 9 S



CLASSE 9

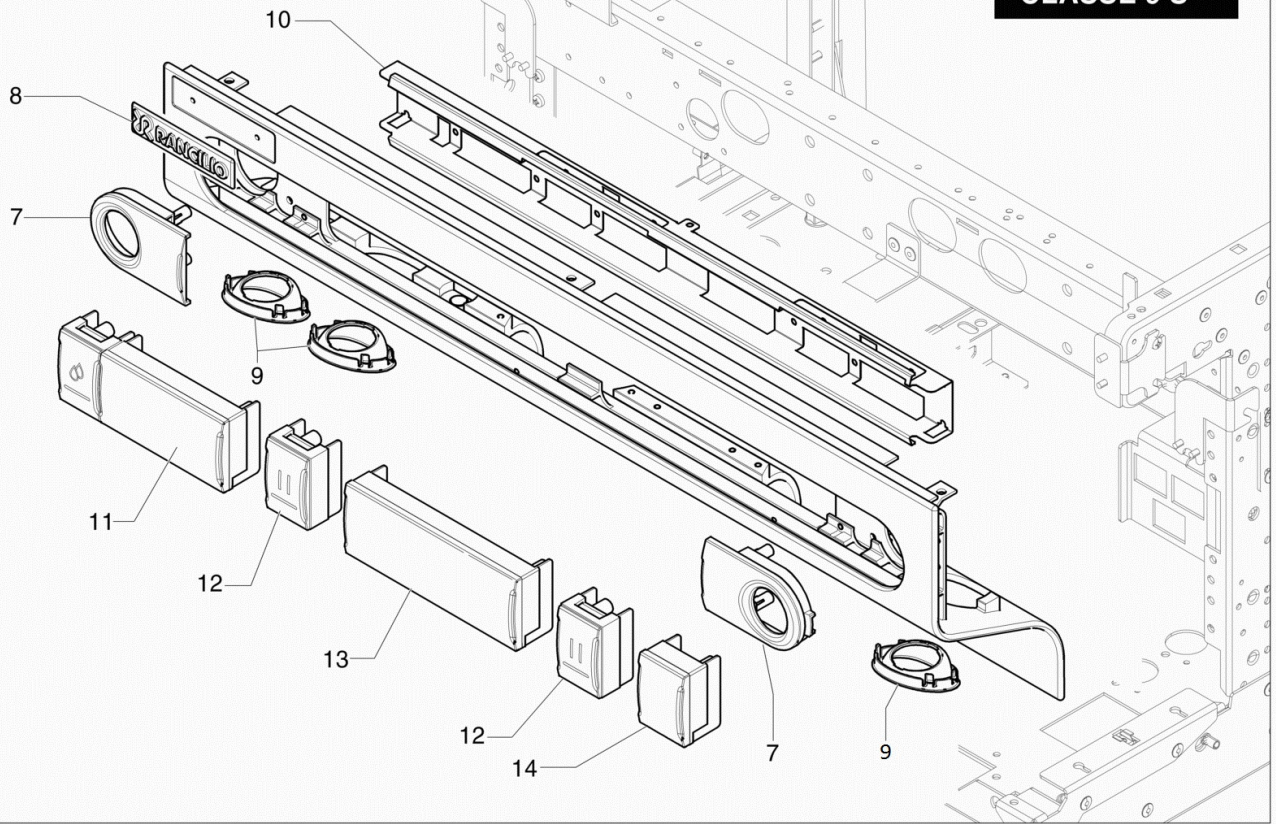
Index

Table 1000 - Body.....	4
Table 1002 - CONTROL PANEL S.....	6
Table 2001 - HYDRAULIC CIRCUIT S.....	8
Table 2003 - HEATING ELEMENT/CHECK EXP. VALVE.....	10
Table 2005 - BREWING GROUP 110-220V.....	12
Table 2007 - Water spout	14
Table 2008 - Clever Steam Tap	16
Table 2010 - LEVEL INDICATOR.....	18
Table 2014 - HYDRAULIC MODULE S	20
Table 3001 - ELECTRICAL/ELECTRONIC PARTS S/RE.....	22
Table 3003 - Motor and pump unit.....	24
Table 4001 - YOUSTEAM.....	26
Alphanumeric index.....	28

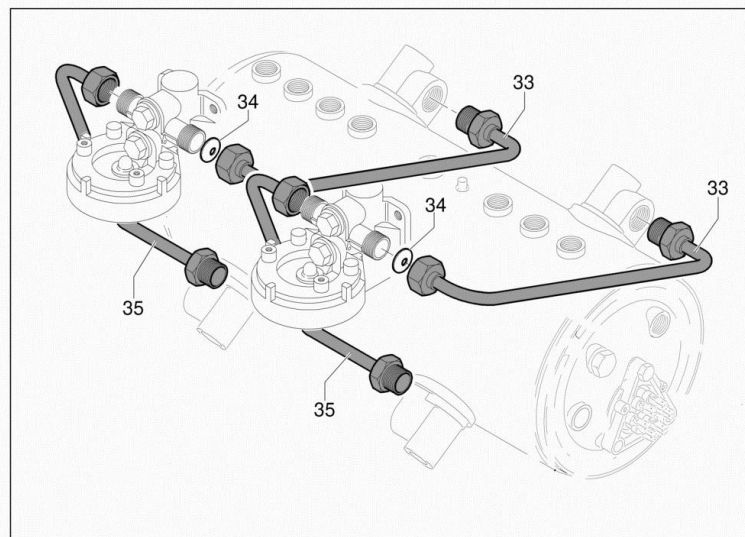
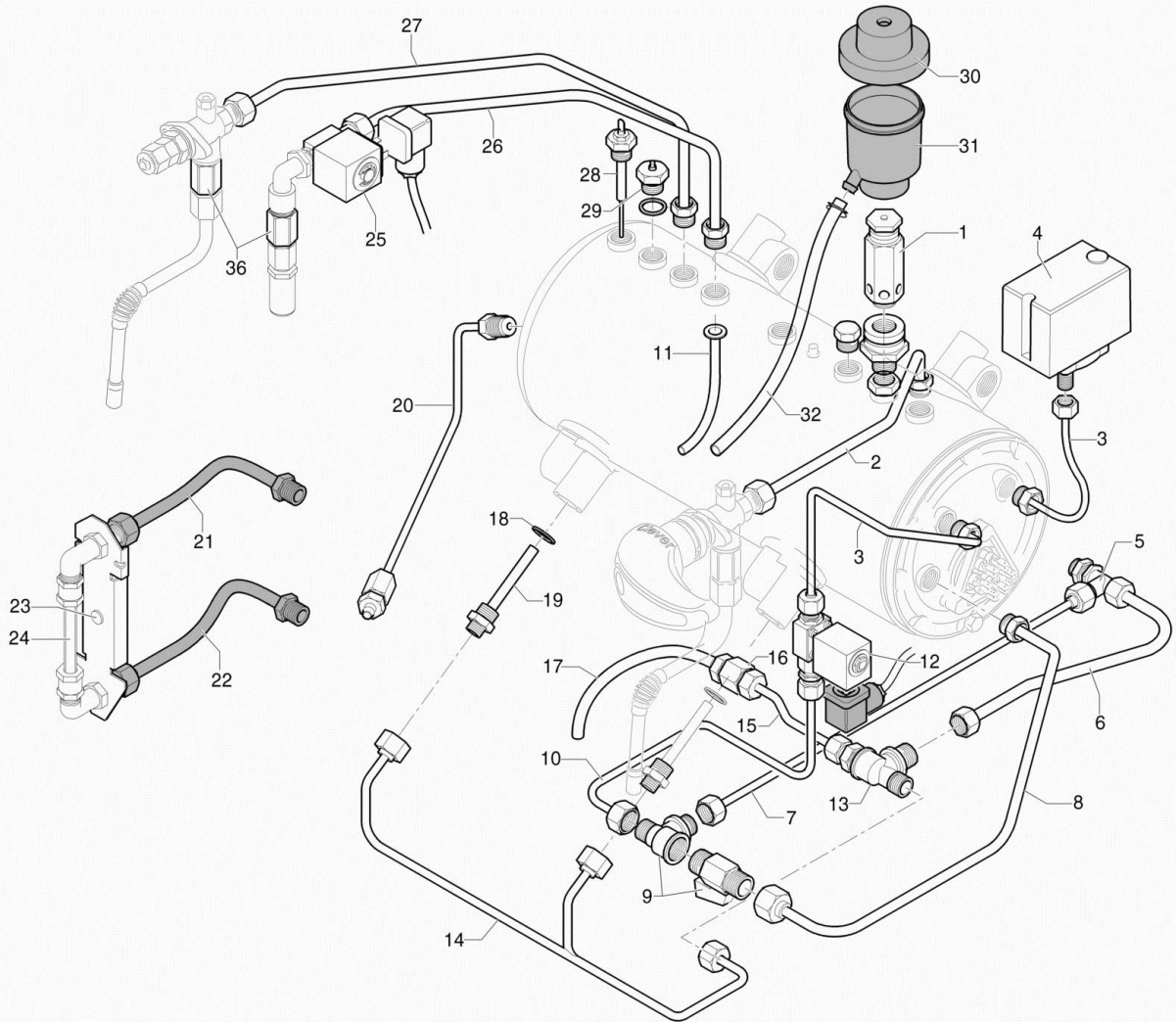


POS.	CODE	DESCRIPTION	NOTES
1	10700276	KIT CUPWARMER 2GR + SCREWS SET	
	10700277	KIT CUPWARMER 3GR + SCREWS SET	
	10700278	KIT CUPWARMER 4GR + SCREWS SET	
2	33122002	CUP-WARMER RESISTANCEANCE 230V 2GR	
	33122003	CUP-WARMER RESISTANCEANCE 230V 3GR	
	33122004	CUP-WARMER RESISTANCEANCE 230V 4GR	
3	32330971	HEATING CUP GRATE DX	
	32330973	HEATING CUP GRATE	grate 3/4gr
4	32330972	HEATING CUP GRATE SX	
5	32331726	UPPER GROUP BAND 2GR	
	32331727	UPPER GROUP BAND 3GR	
	32331728	UPPER GROUP BAND 4GR	
6	32331730	REAR PANEL 2GR CLASSE 9	
	32331731	REAR PANEL 3GR CLASSE 9	
	32331732	REAR PANEL 4GR CLASSE 9	
7	10905015	RIGHT SIDE PANEL C9	
8	10905016	LEFT SIDE PANEL C9	
10	10705681	LED BAR RIGHT	
11	10705682	LED BAR LEFT	
12	32331714	FRONT PANEL 2GR	
	32331715	FRONT PANEL 3GR	
	32331716	FRONT PANEL 4GR.	
13	32331710	PROTECTION DRAIN TRAY	
	32331711	PROTECTION DRAYN TRAY 3GR	
	32331712	PROTECTION DRAYN TRAY 4GR	
14	32331702	LOWER DRAIN TRAY BAND 2GR	
	32331703	LOWER DRAIN TRAY BAND 3GR	
	32331704	LOWER DRAIN TRAY BAND 4GR	
15	32331706	DRAIN TRAY 2GR	
	32331707	DRAIN TRAY 3GR	
	32331708	DRAIN TRAY 4GR	
16	32331736	CUP TRAY 2GR C9	
	32331737	CUP TRAY 3GR C9	
	32331738	CUP TRAY 4GR C9	
17	38120501	RIGHT BASIN SIDE	
18	38120502	LEFT BASIN SIDE	
19	38120503	LATERAL GRATE SUPPORT C9	
20	38123666	CUP TRAY MC/07	
21	38123856	LEVEL WATCH GLASS	
22	38123568	COFFEE MACHINE LEG	
23	38123921	HEATING CUPS GRATE	
24	38120541	GROUP COVER CLASSE 9 ASSY.	
25	38120511	DRAIN TRAIN CANALIZER	
26	42200123	RANCILIO PLATE MM.145	
27	38123852	RISER FOR COFFEE MACHINE LEG	
28	10110427	WIRING FOR CUPWARMER REDUCER	
29	37154212	SCREW 4,2X13	
30	37030509	SCREW M5 X 10 TCB PH INOX	

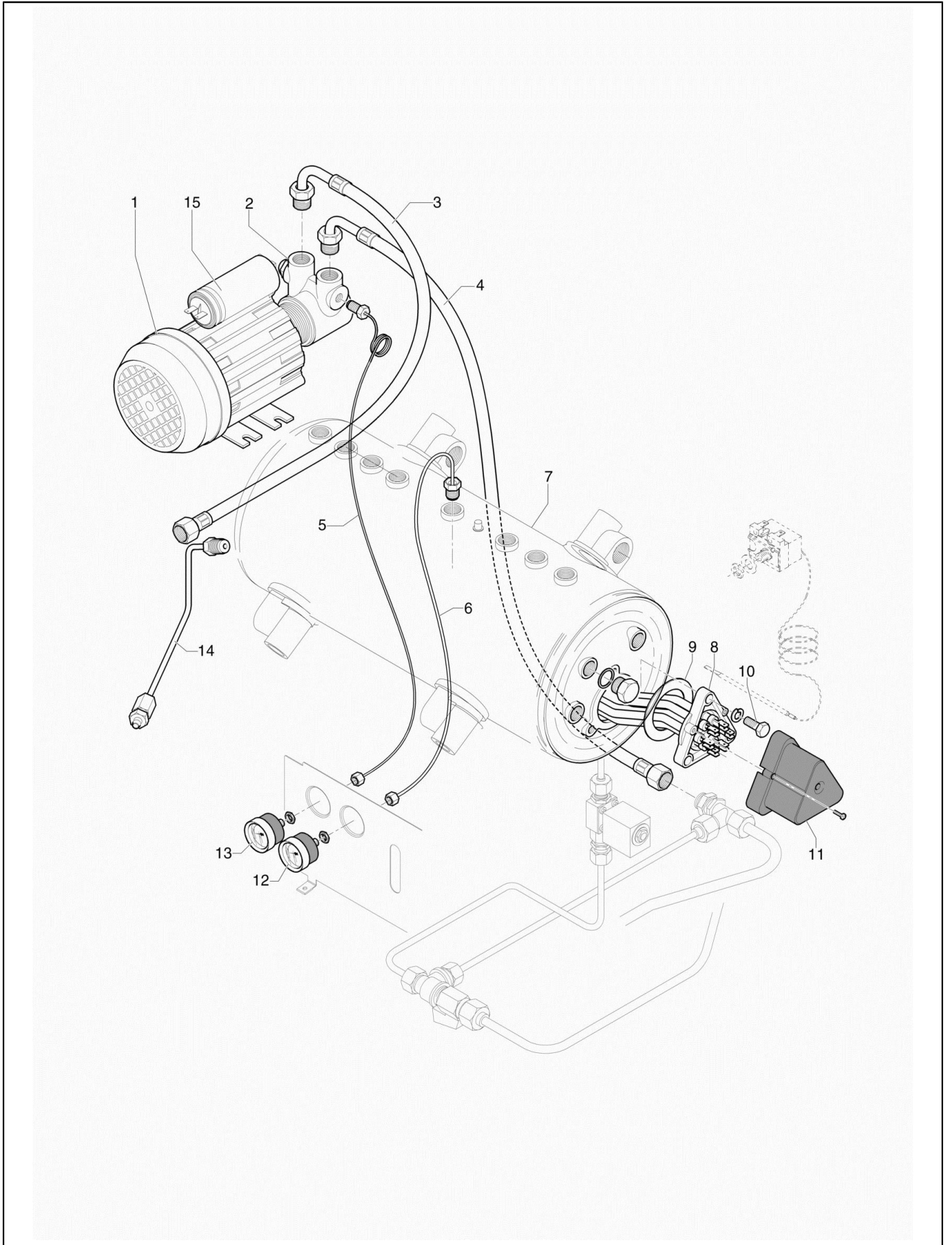
CLASSE 9 S



POS.	CODE	DESCRIPTION	NOTES
1	10700331	CONTROL PANEL KIT CLASSE 9 2GR	
	10700332	CONTROL PANEL KIT CLASSE 9 3GR	
	10700333	KIT PANNELLO COMANDI C9 4GR.	
	24902055	CONTROL PANEL 2GR C9/2012	
	24902056	CONTROL PANEL 3GR C9/2012	
	24902057	CONTROL PANEL 4GR C9/2012	
6	37154212	SCREW 4,2X13	
7	38120515	HANDLE HOLE CAP	
8	42200135	CLASSE 9 PLATE/14	
9	38120508	LANCE WATER-STEAM CLOSING	
10	32331741	KEYPAD SUPPORT C9S 2GR	
	32331742	KEYPAD SUPPORT C9S 3GR	
	32331743	KEYPAD SUPPORT C9S 4GR	
11	10701168	KIT WATER BUTTON CLASSE 9 S PPO	
	10705780	WATER BUTTON CLASSE 9S/14 ASSY.	
12	10701166	KIT PUSH BUTTON C7-C9 PPO	
	10705781	COFFEE BUTTON CLASSE 9S/14	
13	38120513	PANEL CAP LONG C9	
14	38120514	PANEL CAP SHORT C9	

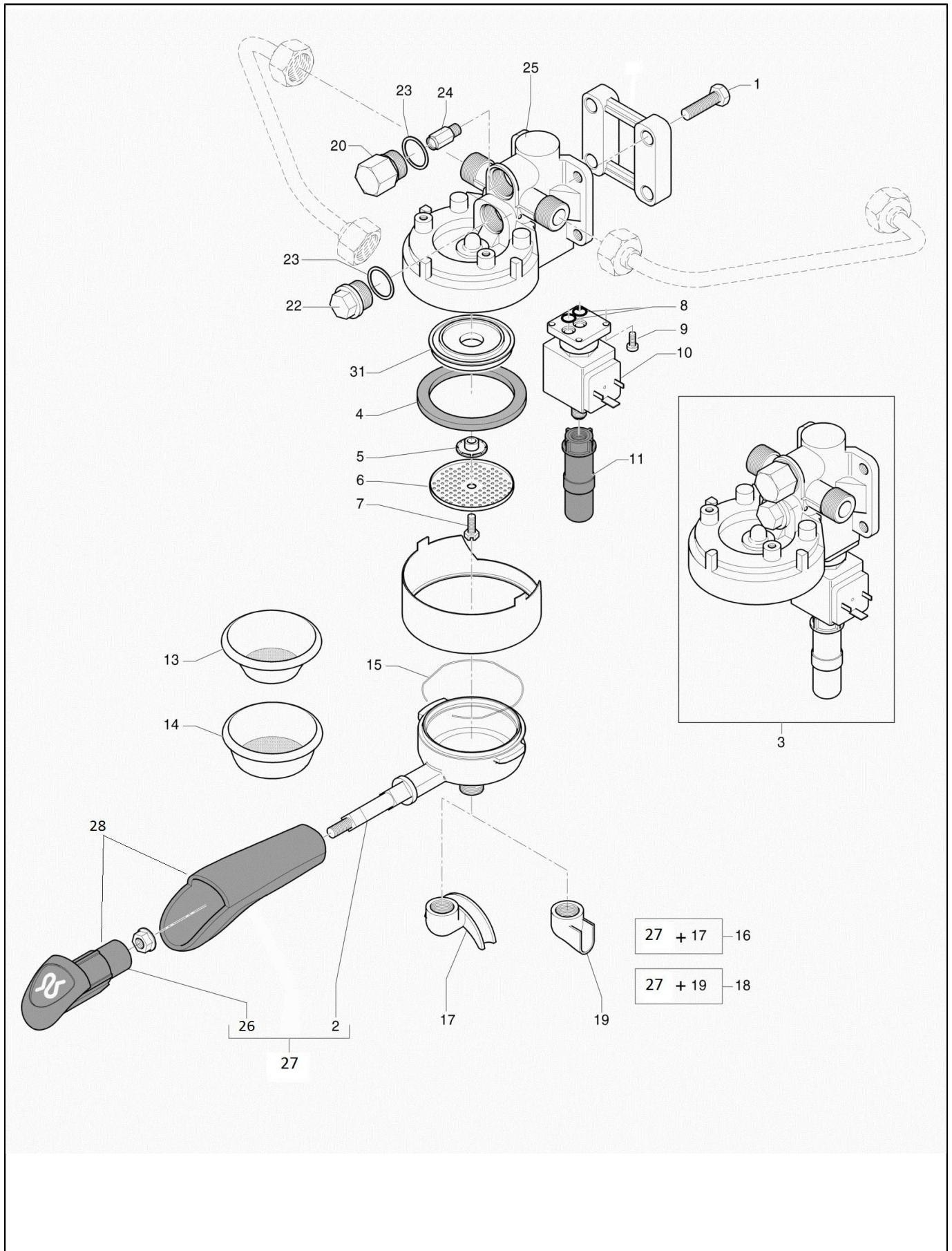


POS.	CODE	DESCRIPTION	NOTES
1	10060525	SAFETY VALVE	
2	10043044	PIPE 8 X 6 X MML = 320 MM	
3	10042022	TUBE 6X4X230	
4	34200110	PRESSURE SWITCH	
5	20123001	T JUNCTION	
6	10043102	PIPE 8 X 6 X MML = 130 MM	
7	10043067	PIPE 8X6X210 F3/8-F3/8 2-3-4GR.	
8	10043046	PIPE 8 X 6 X MML = 270 MM	
9	10706083	MANUAL WATER CHARGE ASSY	
10	10042117	PIPE 6 X 4 X MML = 220 MM	
11	27120130	HOT WATER SUCTION PIPE	
12	10060501	ELECTROVALVE CHARGE+RETURN 220-240V 60HZ	
	10060517	ELECTROVALVE CHARGE+RETURN 220-240V 50HZ	
13	10060448	CHECK VALVE	
14	10046019	COLLECTOR PIPE	
	10046020	PIPE COLLECTOR 3 GR.	
	10046021	COLLECTOR PIPE	
15	10042127	PIPE 6X4X180	
16	10060479	EXPANSION VALVE 8 X G 3/8	
17	38228002	SILICONE HOSE D. 9 X 6MML = 560 MM	
18	27350001	GASKET 3/8 X 1 COPPER GAS	
19	10042004	INJECTION PIPE 127	
	10042017	ECO ASSIEME TUBO INIEZIONE L=175-2017	
20	10043007	BOILER DISCHARGE PIPE COMPL.	
21	10044039	UPPER PIPE LEVEL INDICATOR 10X8 F3/8-M3/8	
22	10044061	PIPE LEVEL 10 X 8 F3/8-M3/8	
23	34030110	ROUND ORANGE LAMP	
24	10060383	LEVEL INDICATOR CLASSE 9/13	
25	10060486	ELECTROVALVE HOT WATER 220-240V 50HZ	
	10060487	ELECTROVALVE HOT WATER 220V UL 60HZ	
26	10043039	PIPE 8 X 6 X MML = 350 MM	
27	10043028	PIPE 8 X 6 X MML = 420 MM F3/8-M3/8	
28	34200088	LEVEL PROBE ASSEMBLY	
29	10060061	EVO ANTIVACUUM SOLENOID	
30	38123946	SECURITY VALVE TOP	
31	38123947	DRAIN TANK SECURITY VALVE	
32	38228003	SILICONE HOSE D. 9 X 6MML = 480 MM	
33	10044054	CIRCULATION PIPE 10 X 8 F1/2-M1/2	
34	23125009	GROUP RESTRICTION 3.5MM	
	23125017	GROUP REDUCTION D 4,5	
	23125021	GROUP RESTRICTION 2 MM	
35	10044053	CIRCULATION PIPE 10 X 8 F1/2-M1/2	
36	23000158	EXTENSION TAP	

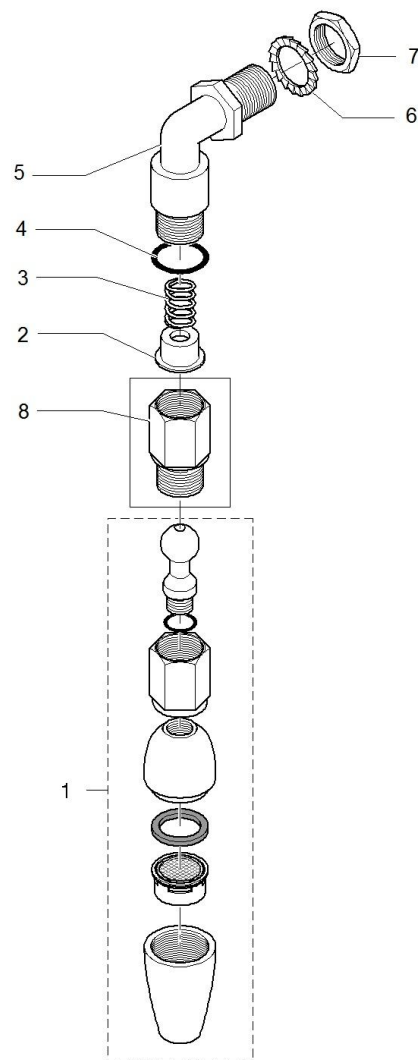


HEATING ELEMENT/CHECK EXP. VALVE

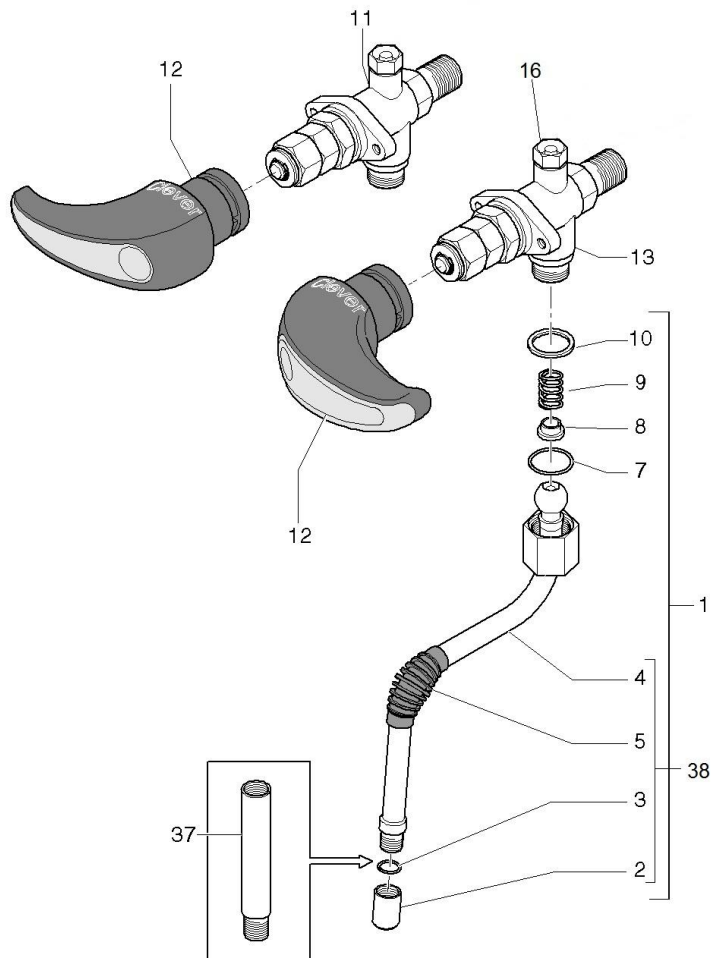
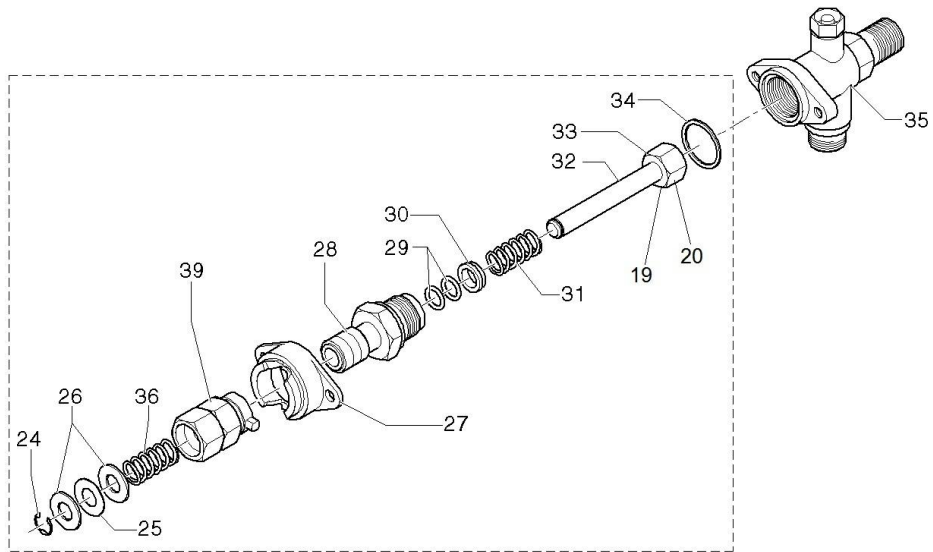
POS.	CODE	DESCRIPTION	NOTES
1	34011009	MOTOR 110 V CE / UL	
	34011102	VM MOTOR 230V	
2	10705960	KIT PUMPING ELEMENT	
	69000993	VOLUMETRIC PUMP VM 200L/H "RANCILIO"	
3	69000734	FLEX PIPE MM1800 WITH ELBOW+CHECK VALVE	
	69000735	FLEX PIPE MM2300 WITH ELBOW+CHECK VALVE	
4	69000722	FLEX PIPE MM.500	
	69000724	FLEX PIPE MM.1200	
	69000725	PIPE FLEX MM.730	
5	69000243	PIPE CAPILLARY MANOMETER F1/8-M1/8	
6	10041042	PIPE 4 X 3 MML = 600 MM	
7	10701376	BOILER RETROFIT KIT 2GR	
	10701377	BOILER RETROFIT KIT 3GR	
	10701378	BOILER RETROFIT KIT 4GR	
	10701397	RETROFIT KIT CALDAIA 2GR NICHELATA	
	10701398	RETROFIT KIT CALDAIA 3GR NICHELATA	
	10701399	RETROFIT KIT CALDAIA 4GR NICHELATA	
8	33323004	HEATING ELEMENT CAPILL. 230V/4300W	
	33323006	HEATING ELEMENT+CAPILLAR 230V 6000W	
9	36930012	GASKET RESISTANCE TEFLON	
10	37040821	SCREW M 8X22	
11	38123665	COVER HEATING ELEMENT	
12	35002508	BOILER MANOMETER	
13	35002509	PUMP MANOMETER	
14	10043007	BOILER DISCHARGE PIPE COMPL.	
15	34020020	CONDENSER 8 MF RPM	



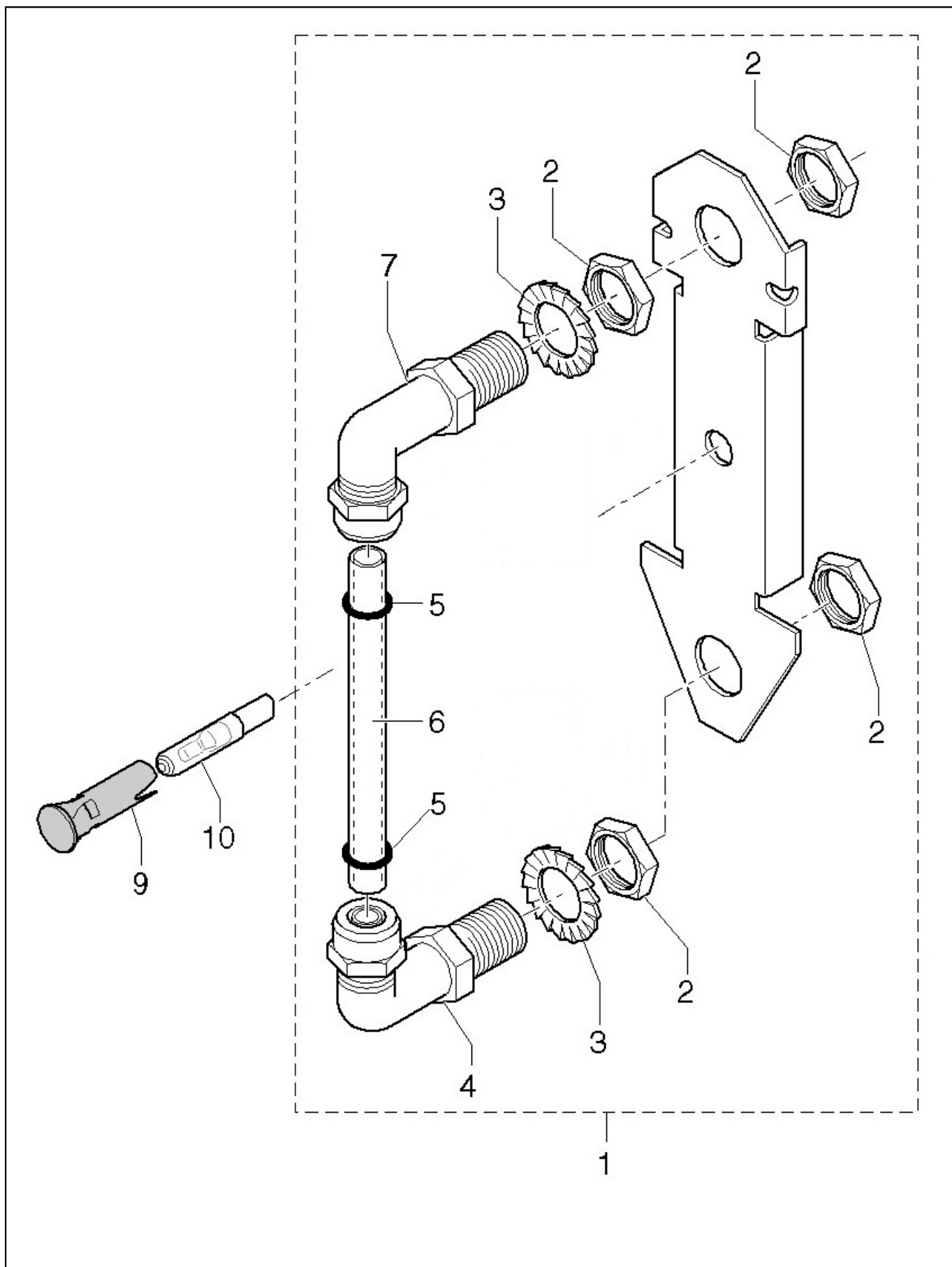
POS.	CODE	DESCRIPTION	NOTES
1	37040830	SCREW M 8X30	
2	20112011	FILTER-HOLDER	
3	10051216	ECO GRUPPO CON CAM.INFUS.C10/S 230V	
	10051219	ECO GRUPPO CON CAM.INFUS.C10/S 120V UL	
4	36301046	GROUP GASKET PEROSSIDICA HP	
5	25139001	GROUP JETBREAKER	
6	40200005	SHOWER NET	
7	37030518	SHOWER SCREW	
8	36402005	O-RING ELECTROVALVE	
9	37060413	SCREW M 4 X 12	
10	34040149	ELECTROVALVE 3/2 WAY UL 208-240 SIRAI	
	34040150	ELECTROVALVE 3/2 WAYS 110-120V UL SIRAI	
11	10090002	THERM.GROUP JETBREAKER	
13	40100001	1 CUP FILTER LOW	
14	40100010	2 CUP FILTER	
15	25105005	FIX.FILTER SPRING	
16	10071137R	PORTAF.MC/09 2DOSI CONFEZIONATO	
17	21100801	2 CUP BEAK MC/09	
18	10071118R	PORTAF.MC/09 1DOSE CONFEZIONATO	
19	21102601	1 CUP BEAK MC/09	
20	23000227	GROUP JET CAP	
22	20122653	BREWING GROUP CAP	
23	27400002	BREWING CHAMBER TAP GASKET	
24	10060612	BREWING GROUP FLOW LIMITER ASSY.	
25	20200054	GROUP BODY	
26	10705535	FILTERHOLDER CAP WITH RING	
27	10071100	FILTERHOLDER NO BECK	
28	10705091	KIT FILTER HOLDER TAP 07	
31	20200182	SHOWER HOLDER BRASS	



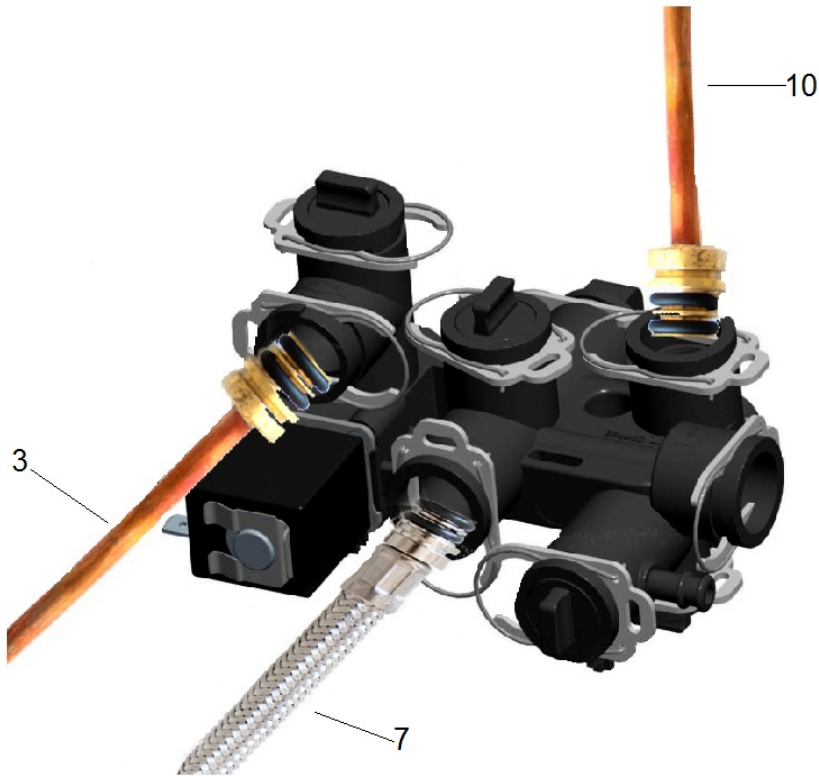
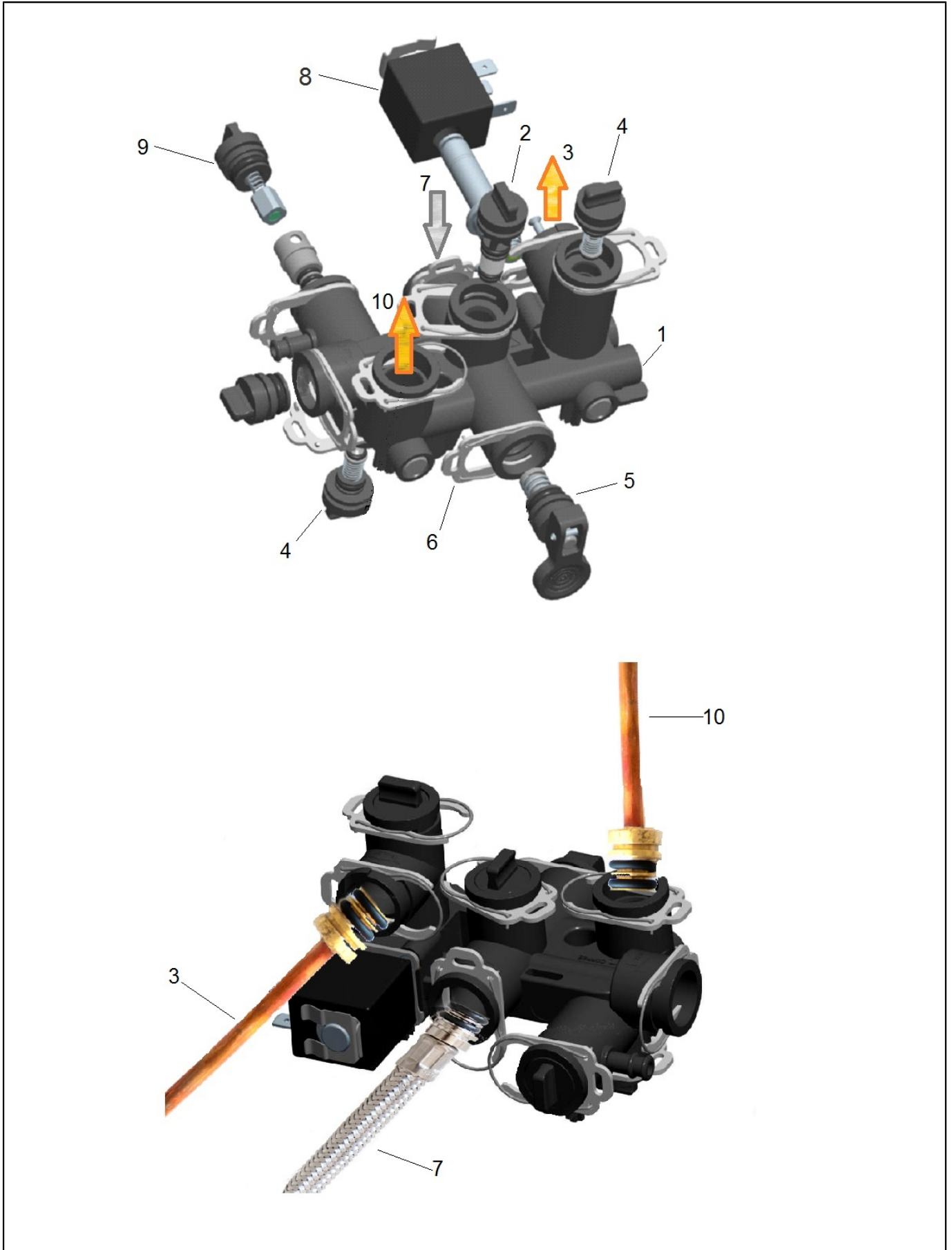
POS.	CODE	DESCRIPTION	NOTES
1	10049014	NOEPerl MIXING NOZZLE G 3/8	
2	36930016	GASKET	
3	39110038	SPRING	
4	36220009	GASKET NUT NOTE TEFLON	
5	20200113	HOT WATER CONNECTION BRASS	
6	37431600	OUTER TOOTHED WASHER D16	
7	26220005	FLAT NUT 3/8	
8	23000158	EXTENSION TAP	



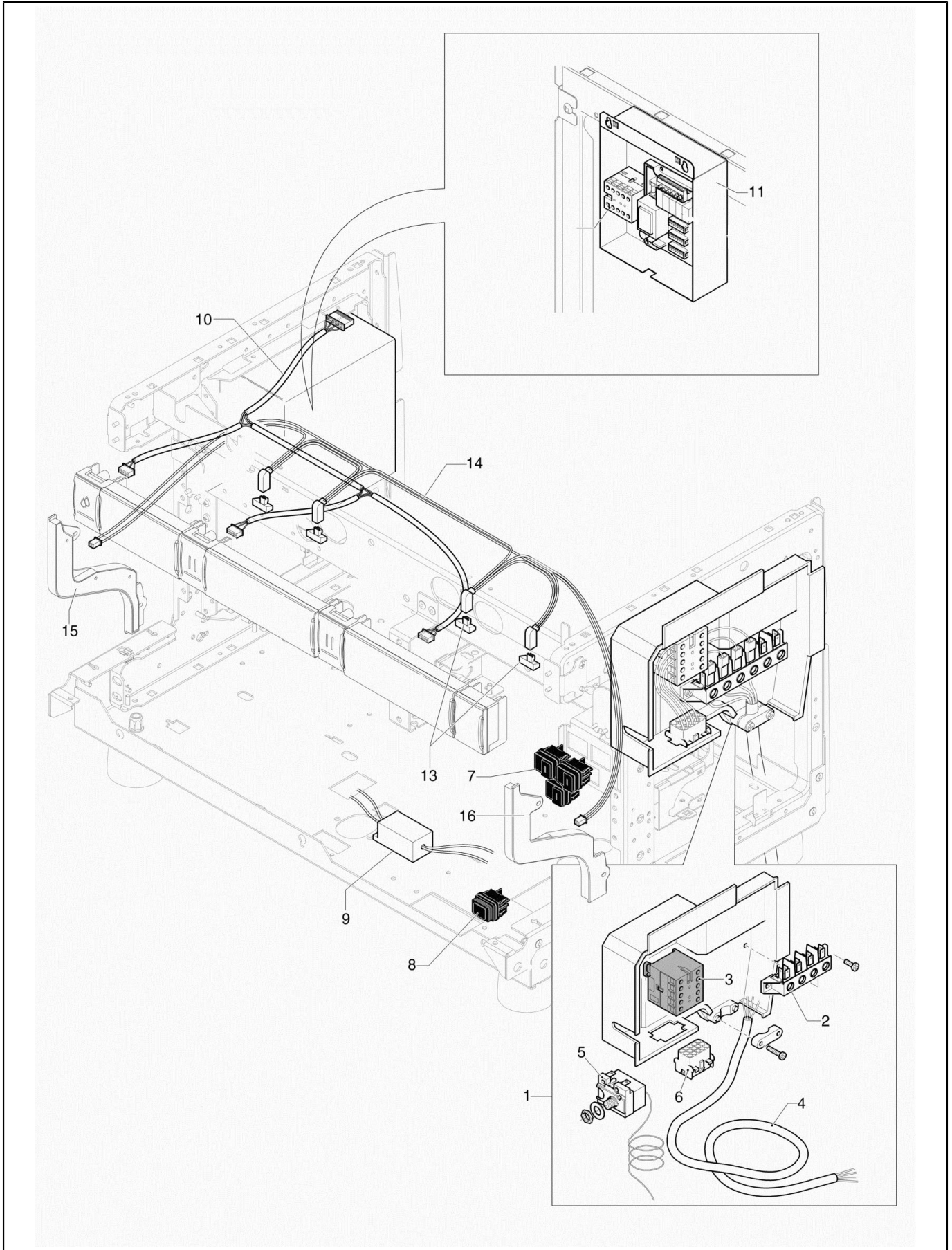
POS.	CODE	DESCRIPTION	NOTES
1	10701426	LANCIA COOLTOUCH/17	
	10706034	STEAM PIPE+JOINT LG.25 INOX	CLASSE 9
2	23000121	SPRAYER LG25 D1.1	
	25111006	STEAM NOZZLE	
3	36404022	O-RING 6,4 X 1,9 R5A	
4	10049112	STEAM PIPE INOX LG 25	CLASSE 9
	10049127	LANCIA COOL TOUCH COMPLETA-C9-C11-ONE	
5	36990004	RUBBER FOR STEAM PIPES	
7	36930017	TEFLON GASKET FOR STEAM WAND NUT	
8	36930016	GASKET	
9	39110038	SPRING	
10	36220009	GASKET NUT NOTE TEFLON	
11	10060134	CLEVER/15 STEAM TAP LEFT	
	10060139	CLEVER STEAM TAP LEFT+A.V. VALVE	
12	10060181	HANDLE CLEVER	
13	10060135	CLEVER/15 STEAM TAP RIGHT	
	10060140	CLEVER STEAM TAP RIGHT+A.V. VALVE	
16	10705180	KIT AV VALVE STEAM TAP	
27	10701239	KIT CLEVER/15 CAMS PEEK RIGHT	
	10701240	KIT CLEVER/15 CAMS PEEK LEFT	
35	10705014	STEAM COCK BODY+VALVE A.VV	
39	10701239	KIT CLEVER/15 CAMS PEEK RIGHT	
	10701240	KIT CLEVER/15 CAMS PEEK LEFT	



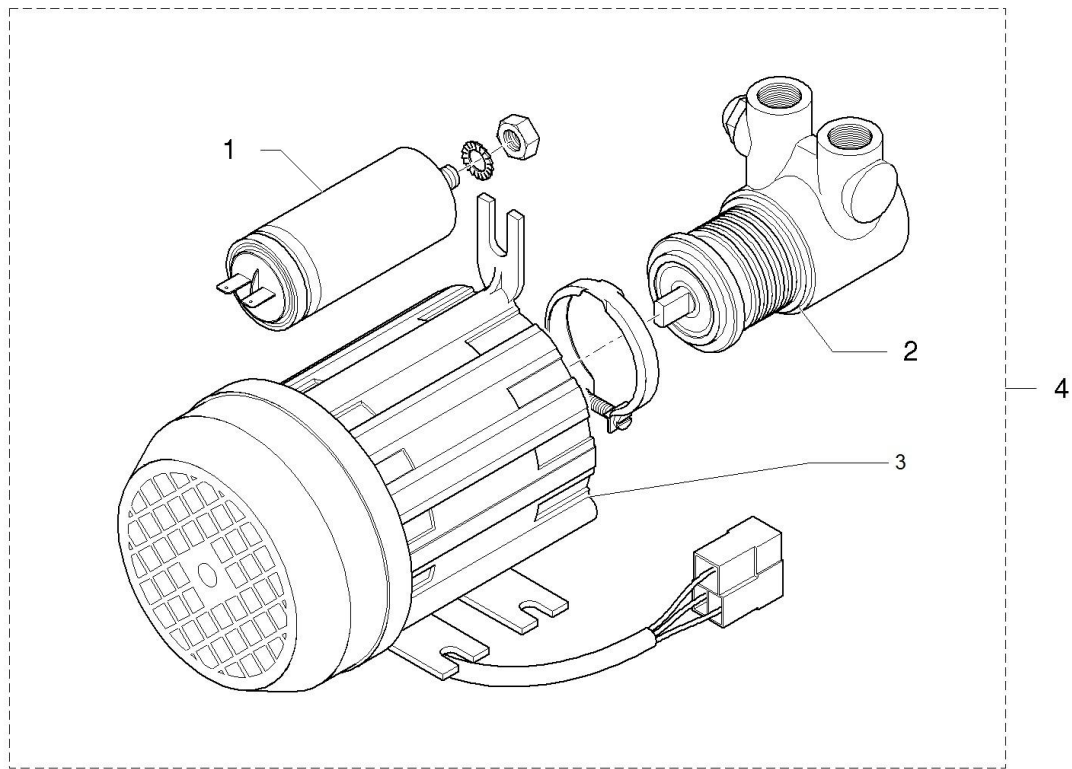
POS.	CODE	DESCRIPTION	NOTES
1	10060383	LEVEL INDICATOR CLASSE 9/13	
2	26220005	FLAT NUT 3/8	
3	37430600	TOOTH LOCK WASHER D. 6	
4	20121103	JUNCTION FOR LEVEL	
5	36402003	O-RING 9,25 X 1,78 V 75SH	
6	38228066	TEFLON PIPE D.10X8X107,5	
7	23222035	LONG JUNCTION 3/8	
9	34030110	ROUND ORANGE LAMP	
10	34030116	NEON LAMP	



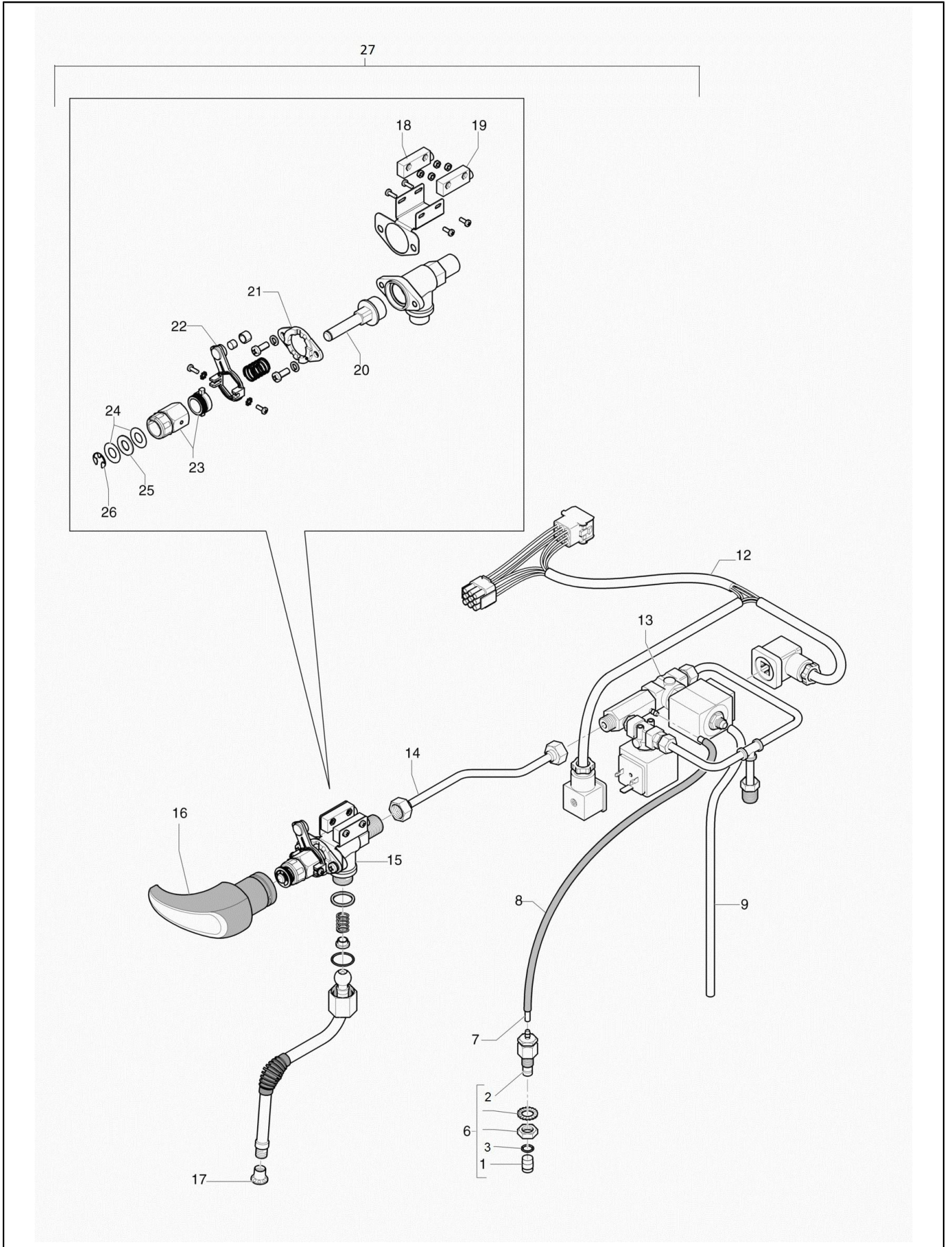
POS.	CODE	DESCRIPTION	NOTES
1	10700300	KIT STARTER HYDRO HUB 220-240V	
	10700323	STARTER KIT HYDRO HUB 110-120V	
	10701245	HYDRO HUB 120V 60HZ	
	10701246	HYDRO HUB 230V	
2	69140006	FILTER HYDRAULIC MODULE	
3	10042026	PIPE 6X4X368	
	36404052	O-RING 9,16 X 2,62 F 3037	
4	69140007	CHECK VALVE HYDRAULIC MODULE	
	69140016	CHECK VALVE CAP	
	69140017	CHECK VALVE PISTON	
	69140018	CHECK VALVE SPRING	
5	69140008	MANUAL TAP HYDRAULIC MODULE	
6	69140012	CLOSING BRACKET HYDRAULIC MODULE	
7	36404052	O-RING 9,16 X 2,62 F 3037	
	69000730	FLEX PIPE M3/8 1060 MM ELBOW	
	69000731	FLEX PIPE 3/8M-SN MM 830 ELBOW	
	69000738	FLEX PIPE M3/8 1290 MM ELBOW	
8	69140014	OPERATOR KIT 220-240V HYDRAULIC MODULE	
	69140015	OPERATOR KIT 110-120V HYDRAULIC MODULE	
9	69140009	PRESSURE RELIEF VALVE HYDRAULIC MODULE	
	69140010	SPRING PRESSURE RELIEF VALVE HYDRAULIC MODULE	
	69140011	PLUNGER PRESSURE RELIEF VALVE HYDRAULIC MODULE	
	69140019	PRESSURE RELIEF VALVE CAP	
10	10043060		
	10046081	ECO TUBO COLLETT-SCAMB.2GR. MOD/IDR.	
	10046082	ECO TUBO COLLETT-SCAMB.3GR. MOD/IDR.	
	36404052	O-RING 9,16 X 2,62 F 3037	



POS.	CODE	DESCRIPTION	NOTES
1	10110359	ELECTRIC BOX 230V	
2	34150026	CLAMP 4 POSITION	
3	34200332	MINI-CONTACTOR 220-240V	
4	34300073	CABLE	
	34300074	CABLE 3 WIRES 2,5	
5	34200097	SAVE- HEATING ELEMENT EGO MONOF.	
6	10110655	WIRING POWER	
7	34030971	SWITCH GREEN LIGHT	
8	34030077	MAIN SWITCH	
9	10705689	LIGHT TRANSFORMER C9/S	
10	10110753	KEYBOARD WIRING 1-2GR	
	10110754	KEYBOARD WIRING 3-4GR	
11	10110380	ELECTRONIC BOX 230V	
	34070081	KIT BOARD POWER	
	34200332	MINI-CONTACTOR 220-240V	
13	10705683	LED GROUPS	
14	10110738	LIGHT CABLE 2GR C9	
	10110739	LIGHT WIRING 3GR	
	10110740	LIGHT WIRING 4GR	
15	10705681	LED BAR RIGHT	
16	10705682	LED BAR LEFT	



POS.	CODE	DESCRIPTION	NOTES
1	34020020	CONDENSER 8 MF RPM	
2	10705960	KIT PUMPING ELEMENT	
	69000993	VOLUMETRIC PUMP VM 200L/H "RANCILIO"	
3	34011102	VM MOTOR 230V	
4	13077071	PUMP 230V 1/2GR	



POS.	CODE	DESCRIPTION	NOTES
1	23000092	FLOW LIMITER D. 0,25 MM	
	23000093	FLOW LIMITER D. 0,35 MM	
2	36230017	DUCKBILL	
3	36404013	O-RING SILICONE 2031	
6	10705320	AIR INPUT VALVE	
7	38228016	SILICON PIPE D5X3	
8	34209124	SHEATH PLAITED POLIESTER UL94	
9	38228002	SILICONE HOSE D. 9 X 6MML = 560 MM	
12	10110667	WIRING YOUSTEAM C7-C9 S	
13	10705577	EV VENTURI SYSTEM	
	10705578	ASSY EV VENTURI 110V YOUSTEAM	
14	10043067	PIPE 8X6X210 F3/8-F3/8 2-3-4GR.	
15	10060108	STEAM TAP+REED YOUSTEAM	
16	10060187	YOUSTEAM HANDLE	
17	23000098T	ISTEAM SPRAYER	
18	34020121	MAGNETIC SENSOR YOUSTEAM	
19	34020119	MAGNETIC SENSOR	
20	23000155	STEAM TAP BAR YOUSTEAM	
21	20112604	CAMME TAP YOUSTEAM	
22	38123929	SUPPORT WITH MAGNET	
23	10060007	ASSEMBLED STEAM TAP BUSH	
24	32239044	NEW STEAM COCK WASHER	
25	36230001	TEFLON WASHER	
26	37510700	ELASTIC RING D.7	
27	10705140	RETROFIT KIT YOUSTEAM CLASSE 9/S 220V	
	10705186	RETROFIT KIT YOUSTEAM C9/S 110V	

Code	No. table	Pos.
10041042	2003	6
10042004	2001	19
10042017	2001	19
10042022	2001	3
10042026	2014	3
10042117	2001	10
10042127	2001	15
10043007	2001	20
10043007	2003	14
10043028	2001	27
10043039	2001	26
10043044	2001	2
10043046	2001	8
10043060	2014	10
10043067	2001	7
10043067	4001	14
10043102	2001	6
10044039	2001	21
10044053	2001	35
10044054	2001	33
10044061	2001	22
10046019	2001	14
10046020	2001	14
10046021	2001	14
10046081	2014	10
10046082	2014	10
10049014	2007	1
10049112	2008	4
10049127	2008	4
10051216	2005	3
10051219	2005	3
10060007	4001	23
10060061	2001	29
10060108	4001	15
10060134	2008	11
10060135	2008	13
10060139	2008	11
10060140	2008	13
10060181	2008	12
10060187	4001	16
10060383	2001	24
10060383	2010	1
10060448	2001	13
10060479	2001	16
10060486	2001	25
10060487	2001	25
10060501	2001	12
10060517	2001	12
10060525	2001	1
10060612	2005	24
10071100	2005	27
10071118R	2005	18
10071137R	2005	16
10090002	2005	11
10110359	3001	1
10110380	3001	11
10110427	1000	28
10110655	3001	6
10110667	4001	12
10110738	3001	14
10110739	3001	14
10110740	3001	14
10110753	3001	10
10110754	3001	10
10700276	1000	1
10700277	1000	1
10700278	1000	1

Code	No. table	Pos.
10700300	2014	1
10700323	2014	1
10700331	1002	1
10700332	1002	1
10700333	1002	1
10701166	1002	12
10701168	1002	11
10701239	2008	27
10701239	2008	39
10701240	2008	27
10701240	2008	39
10701245	2014	1
10701246	2014	1
10701376	2003	7
10701377	2003	7
10701378	2003	7
10701397	2003	7
10701398	2003	7
10701399	2003	7
10701426	2008	1
10705014	2008	35
10705091	2005	28
10705140	4001	27
10705180	2008	16
10705186	4001	27
10705320	4001	6
10705535	2005	26
10705577	4001	13
10705578	4001	13
10705681	1000	10
10705681	3001	15
10705682	1000	11
10705682	3001	16
10705683	3001	13
10705689	3001	9
10705780	1002	11
10705781	1002	12
10705960	2003	2
10705960	3003	2
10706034	2008	1
10706083	2001	9
10905015	1000	7
10905016	1000	8
13077071	3003	4
20112011	2005	2
20112604	4001	21
20121103	2010	4
20122653	2005	22
20123001	2001	5
20200054	2005	25
20200113	2007	5
20200182	2005	31
21100801	2005	17
21102601	2005	19
23000092	4001	1
23000093	4001	1
23000098T	4001	17
23000121	2008	2
23000155	4001	20
23000158	2001	36
23000158	2007	8
23000227	2005	20
23125009	2001	34
23125017	2001	34
23125021	2001	34
23222035	2010	7
24902055	1002	1

Code	No. table	Pos.
24902056	1002	1
24902057	1002	1
25105005	2005	15
25111006	2008	2
25139001	2005	5
26220005	2007	7
26220005	2010	2
27120130	2001	11
27350001	2001	18
27400002	2005	23
32239044	4001	24
32330971	1000	3
32330972	1000	4
32330973	1000	3
32331702	1000	14
32331703	1000	14
32331704	1000	14
32331706	1000	15
32331707	1000	15
32331708	1000	15
32331710	1000	13
32331711	1000	13
32331712	1000	13
32331714	1000	12
32331715	1000	12
32331716	1000	12
32331726	1000	5
32331727	1000	5
32331728	1000	5
32331730	1000	6
32331731	1000	6
32331732	1000	6
32331736	1000	16
32331737	1000	16
32331738	1000	16
32331741	1002	10
32331742	1002	10
32331743	1002	10
33122002	1000	2
33122003	1000	2
33122004	1000	2
33323004	2003	8
33323006	2003	8
34011009	2003	1
34011102	2003	1
34011102	3003	3
34020020	2003	15
34020020	3003	1
34020119	4001	19
34020121	4001	18
34030077	3001	8
34030110	2001	23
34030110	2010	9
34030116	2010	10
34030971	3001	7
34040149	2005	10
34040150	2005	10
34070081	3001	11
34150026	3001	2
34200088	2001	28
34200097	3001	5
34200110	2001	4
34200332	3001	11
34200332	3001	3
34209124	4001	8
34300073	3001	4
34300074	3001	4

Code	No. table	Pos.
35002508	2003	12
35002509	2003	13
36220009	2007	4
36220009	2008	10
36230001	4001	25
36230017	4001	2
36301046	2005	4
36402003	2010	5
36402005	2005	8
36404013	4001	3
36404022	2008	3
36404052	2014	10
36404052	2014	3
36404052	2014	7
36930012	2003	9
36930016	2007	2
36930016	2008	8
36930017	2008	7
36990004	2008	5
37030509	1000	30
37030518	2005	7
37040821	2003	10
37040830	2005	1
37060413	2005	9
37154212	1000	29
37154212	1002	6
37430600	2010	3
37431600	2007	6
37510700	4001	26
38120501	1000	17
38120502	1000	18
38120503	1000	19
38120508	1002	9
38120511	1000	25
38120513	1002	13
38120514	1002	14
38120515	1002	7
38120541	1000	24
38123568	1000	22
38123665	2003	11
38123666	1000	20
38123852	1000	27
38123856	1000	21
38123921	1000	23
38123929	4001	22
38123946	2001	30
38123947	2001	31
38228002	2001	17
38228002	4001	9
38228003	2001	32
38228016	4001	7
38228066	2010	6
39110038	2007	3
39110038	2008	9
40100001	2005	13
40100010	2005	14
40200005	2005	6
42200123	1000	26
42200135	1002	8
69000243	2003	5
69000722	2003	4
69000724	2003	4
69000725	2003	4
69000730	2014	7
69000731	2014	7
69000734	2003	3
69000735	2003	3

Code	No. table	Pos.
69000738	2014	7
69000993	2003	2
69000993	3003	2
69140006	2014	2
69140007	2014	4
69140008	2014	5
69140009	2014	9
69140010	2014	9
69140011	2014	9
69140012	2014	6
69140014	2014	8
69140015	2014	8
69140016	2014	4
69140017	2014	4
69140018	2014	4
69140019	2014	9



Headquarters, Production Plant and R&D Centers

Rancilio Group s.p.a.

Viale della Repubblica 40
20010 Villastanza di Parabiago
Milano - Italy
Tel +39 0331 408200
Fax +39 0331 551437
www.ranciliogroup.com
info@ranciliogroup.com

Egro Suisse AG

Bahnhofstrasse 66
5605 Dottikon, Switzerland
Tel. +41 (0)56 616 95 95
Fax +41 (0)56 616 95 97
www.egrocoffee.com
info@egrocoffee.com

Worldwide Branch Locations

SPAIN

RancilioGroup Espana, s.a.
Gran Via de Carlos III, 84 3ª
Edificio Trade
08028 Barcelona - Spain
Tel. +34 902 884 275
Tel. +34 934 923 414
Fax +34 934 965 701
www.ranciliogroup.com
info-es@ranciliogroup.com

PORTUGAL

Rancilio Group Portugal Lda
Estrada da Falagueira nº 68 E
2700-365 Amadora-Lisboa - Portugal
Tel. +351 21 019 10 91
Fax +351 21 019 10 91

Rua Nova do Seixo 1282
4465-706 Leça do Balio-Porto - Portugal
Tel. +351 22 010 14 19
Fax +351 22 010 14 19
www.ranciliogroup.com
info-pt@ranciliogroup.com

GERMANY

Rancilio Group Deutschland GmbH
Talstrasse 27
97990 Weikersheim - Germany
Ph. +49 7934 99 29 30
Fax +49 7934 99 29 330
www.ranciliogroup.de
info-de@ranciliogroup.com

SWITZERLAND

Egro Suisse AG
Bahnhofstrasse 66
5605 Dottikon - Switzerland
Tel. +41 (0)56 616 95 95
Fax +41 (0)56 616 95 97
www.egrosuisse.ch
info@egrosuisse.ch

USA/CANADA

Rancilio Group North America Inc.
1340 Internationale Parkway / Suite 200
Woodridge, IL 60517 - U.S.A.
Ph: +1 630 914 7900
Fax: +1 630 914 7901
Toll Free: +1 877 726 2454
www.ranciliogroup.com
info@ranciliogroupna.com

