

HARIO

V60 Electric coffee grinder

V60 電動コーヒーグラインダー

Instruction Manual

Thank you very much for your purchase. For directions on how to use the product, please be sure to read the instruction manual. After reading the manual, store it in a safe place.

HARIO CO., LTD.

9-3 Nihonbashi Tomizawa-Cho,
Chuo-ku, Tokyo 103-0006 Japan
<http://www.hario.jp>

EVCG-8B
説明書1506

Description

1 Bean hopper lid

2 8oz (240g) bean hopper

The 240g capacity bean hopper has a shutter release mechanism for easy removal and preventing accidental spills.

It allows the user to transfer any unused beans to an ideal storage unit to preserve freshness.

3 Burr shield

4 Grind adjustment collar

Large, easy-to-use collar with 24 grind settings.

The coffee maker can select a fine grind to suit commercial espresso or adjust the setting for other brewing styles - from Turkish to plunger.

With such precise settings the user controls the particle size and ultimately the quality of the brew.

5 Grinder spout

6 V60 Dripper switch pad

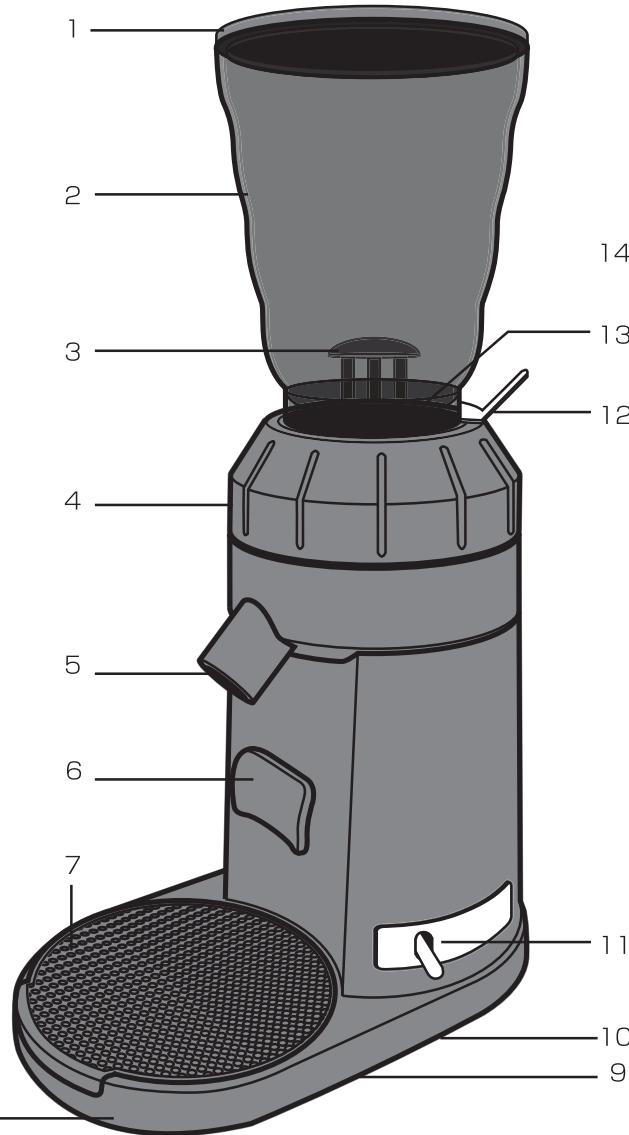
Equipped with a switch pad designed for the V60 Dripper. Can be ground directly into the filter by pressing the V60 Dripper against the switch pad.

7 Preparation mat

Positioned under the grinding spout the preparation mat is ideal for catching loose coffee grinds while filling directly into the group handle. The mat can also be used on the bench as a tamping pad.

8 Die-cast metal housing

Built to last, the heavy-duty die-cast metal body encases a powerful motor and provides a stable base for the grinder. Protected by a 5-year guarantee.



9 Rubber feet

The non-slip rubber feet ensure the grinder remains stable and prevents slipping on the bench top during use.

10 Cord wrap

Cord wraps away to keep bench top clean.

11 Operation switch

12 Slide gate

The slide gate facilitates taking off the hopper even if the hopper still contains coffee beans.

13 Stainless conical burr

The metal conical burr design achieves excellent grind consistency and minimizes heat transfer to the coffee due to the slowly rotating burrs.

14 Burr cleaning brush

Strong bristles help sweep out grinds from the burrs.

Power source	AC120V 60Hz
Power consumption	150W
Hopper capacity	Maximum 8oz (240g)
Size	W230xD135xH390(mm)
Cable length	1300mm
Weight	2.4kg

●MADE IN CHINA

Precautions

IMPORTANT SAFEGUARDS & SAFETY PRECAUTIONS

When using electrical appliances, basic safety precautions should always be followed including:

- Read all instructions.
- Check the grinding bowl for the presence of foreign objects before using.
- Always operate the grinder with the ground coffee container properly inserted in the grinder.
- Do not place your hand in or near the burrs while the grinder is in operation.
- Always place the unit on a flat, level surface.
- Switch off and unplug at power point before cleaning.
- Do not attempt to re-grind ground coffee.

Listed below are precautions which are essential for the safe use of an electrical appliance

- Read carefully and save all the instructions provided with an appliance.
- Always turn the power off at the power outlet before you insert or remove a plug. Remove by grasping the plug - do not pull on the cord.
- Turn the power off and remove the plug when the appliance is not in use, before putting on or taking off parts, and before cleaning.
- Always use your appliance from a power outlet of the voltage (A.C. only) marked on the appliance.
- This appliance is not intended for use by young children or infirm persons unless they have been adequately supervised by a responsible adult to ensure that they can use the appliance safely.
- Close supervision is necessary when any appliance is used by or near children.
- Never leave an appliance unattended while in use.
- Do not use an appliance for any purpose other than its intended use.
- Do not place an appliance on or near a hot gas flame, electric element or on a heated oven. Do not place on top of any other appliance.
- Do not let the power cord of an appliance hang over the edge of a table, counter or bench top, or contact any hot surface.
- Do not operate any electrical appliance if: the cord or plug is damaged, the appliance malfunctions, the appliance is dropped, the appliance is damaged in any manner.
- To protect against risk of electrical shock, do not immerse the appliance in water or any liquid.
- Avoid contacting moving parts.
- The use of attachments not recommended or sold by the manufacturer may cause fire, electric shock or injury.
- Do not use outdoors.
- Ensure the above safety precautions are understood.

SAVE THESE INSTRUCTIONS

CAUTION

- This appliance complies with applicable technical rules and standards at the time of manufacture.
- This appliance is intended for household use only. Do not use it for commercial purposes.
- Check voltage to be sure that the voltage indicated on the rating label matches your voltage.
- To reduce the risk of fire or electric shock, do not remove the base. No user serviceable parts inside.
- Never clean with harsh or abrasive cleaners or sponges.
- Clean using gentle dishwashing liquid and warm water. Dry all parts carefully before next use.
- Do not place or use the appliance on hot surfaces such as stoves, hotplates, or near open gas flames.
- Only use the appliance on a stable working surface away from water splashes.

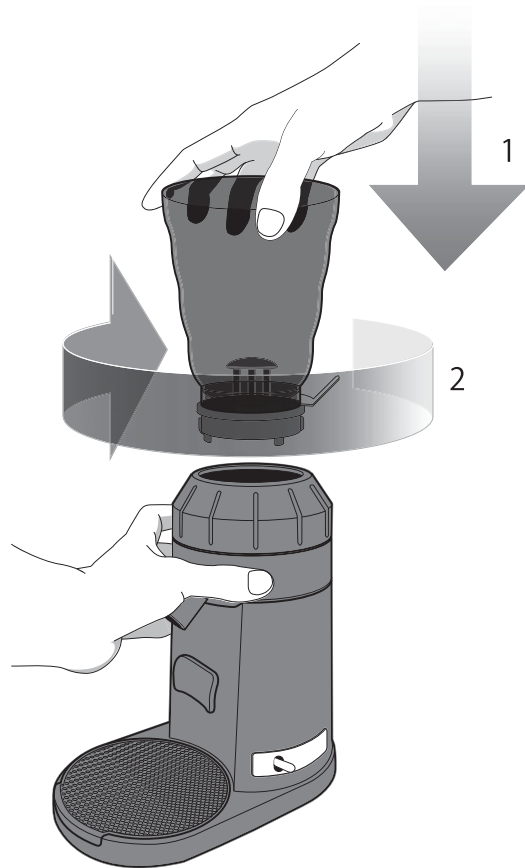
SHORT CORD INSTRUCTIONS

- Do not operate any electrical appliance with a damaged cord or after the appliance has been damaged in any manner.
 - A. We do not recommend using an extension cord with this device.
 - B. If an extension cord is absolutely necessary:
 - 1) the marked electrical rating of the extension cord should be at least as great as the electrical rating of the machine,
 - 2) the longer cord should be arranged so that it will not drape over the counter top or table top where it can be pulled on by children or tripped over.
 - C. The extension cord should be a grounding-type 3-wire cord.

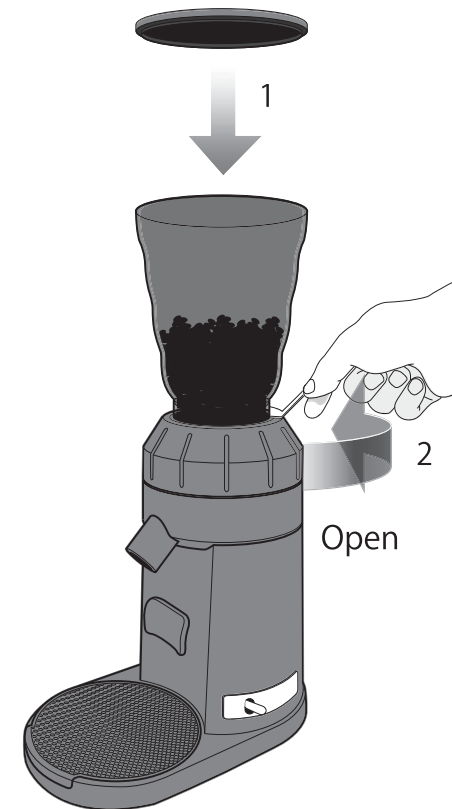
Do not unplug the unit by pulling on the cord. Instead grasp plug and pull to disconnect. In the interest of improving products, HARIO reserves the right to change specifications without prior notice.

How to use

Before using the coffee grinder, wipe the base exterior with a damp cloth. Wash the bean hopper, hopper lid and ground coffee container in warm soapy water, then rinse and dry.

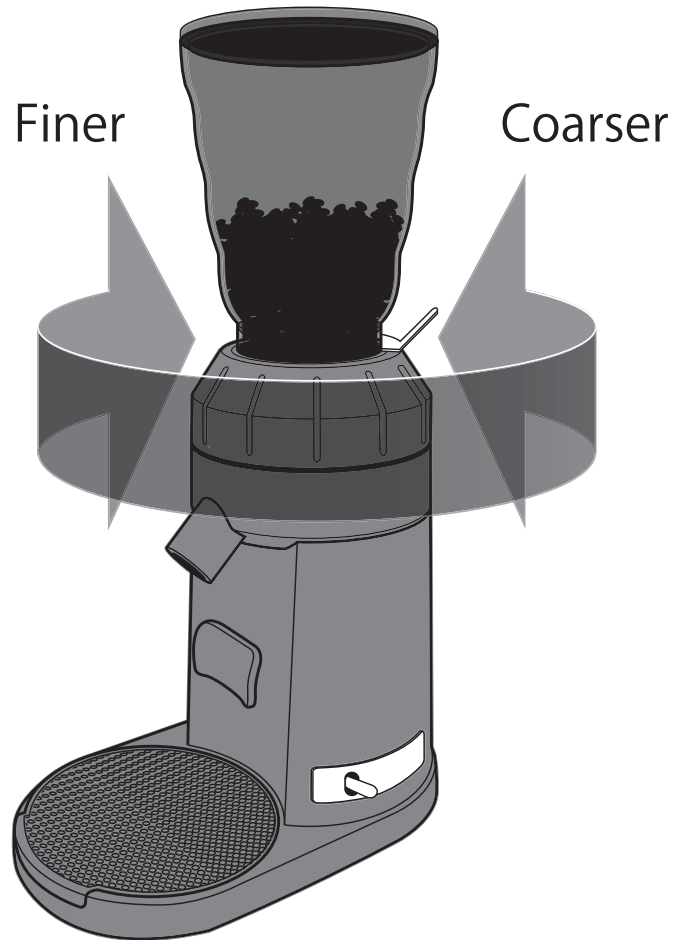


Place the coffee grinder on a dry, level surface. To attach the bean hopper, position bean hopper onto the top of the motor base, push down and turn clockwise.



Fill the bean hopper with coffee beans. Place the hopper lid onto the bean hopper. Turn to slide open the slide gate.

How to use

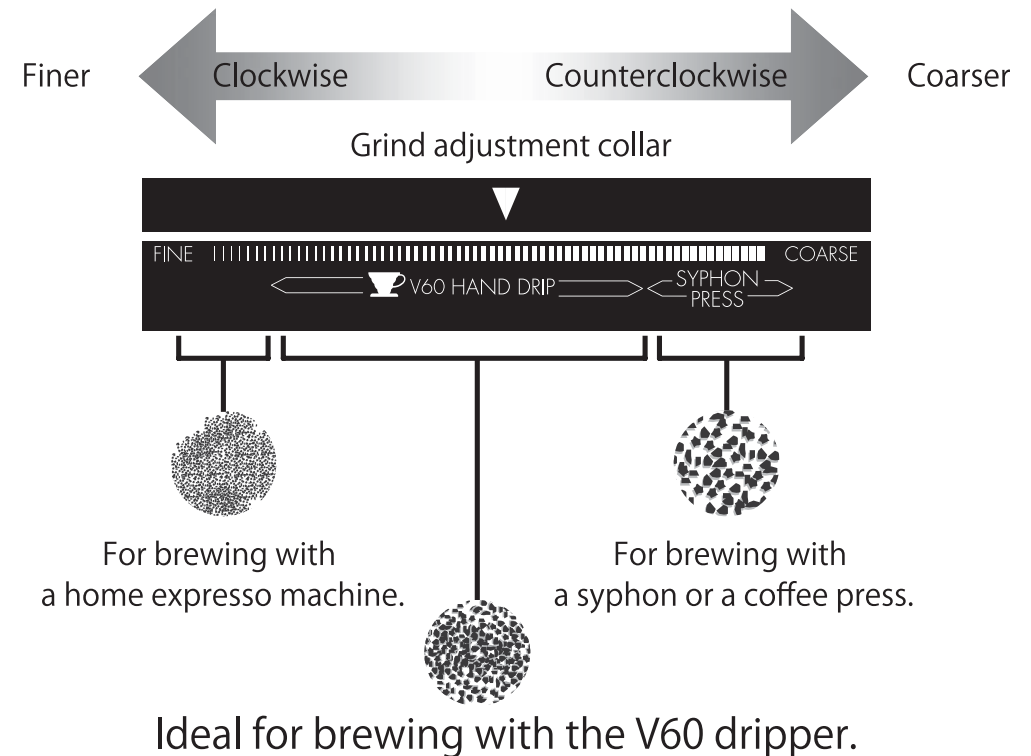


Select the grind by turning the grind adjustment collar to the desired setting. Refer to the grind setting table on page 11 to assist you in selecting the correct grind level for the desired brewing method. Plug the power cord into a 120V AC power outlet and push the operation switch down to the "AUTO" position.

ADJUSTING THE GRIND SETTING

The burr of V60 Electric coffee grinder is designed to produce ideal grain size for a hand dripper. Grain size can be adjusted for 24 settings. The user may grind coffee to suit a wide range of coffee brewer from home espresso machines and syphons to coffee presses.

- The smaller the particle size the longer it will take to grind.
- When using the finer settings the coffee may become stuck, we recommend tapping on the lid of the bean hopper to dislodge any clumps of coffee blocking the flow.
- After long periods of using the finer settings we recommend removing the upper burr and sweeping away any residual coffee to avoid clogging. See the Care and Cleaning section for more details.

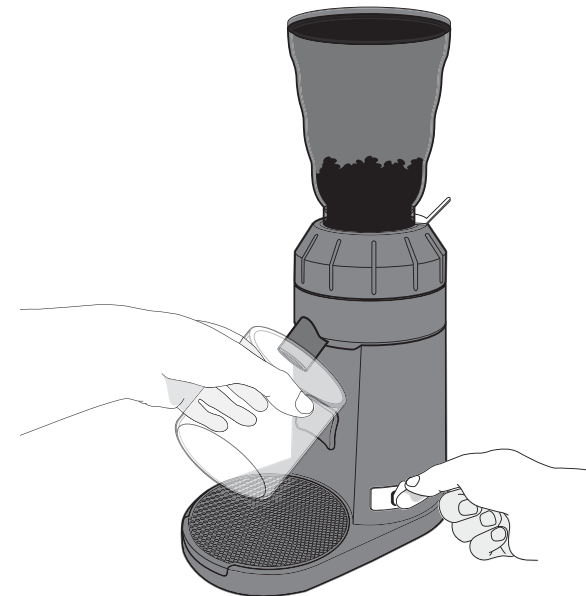
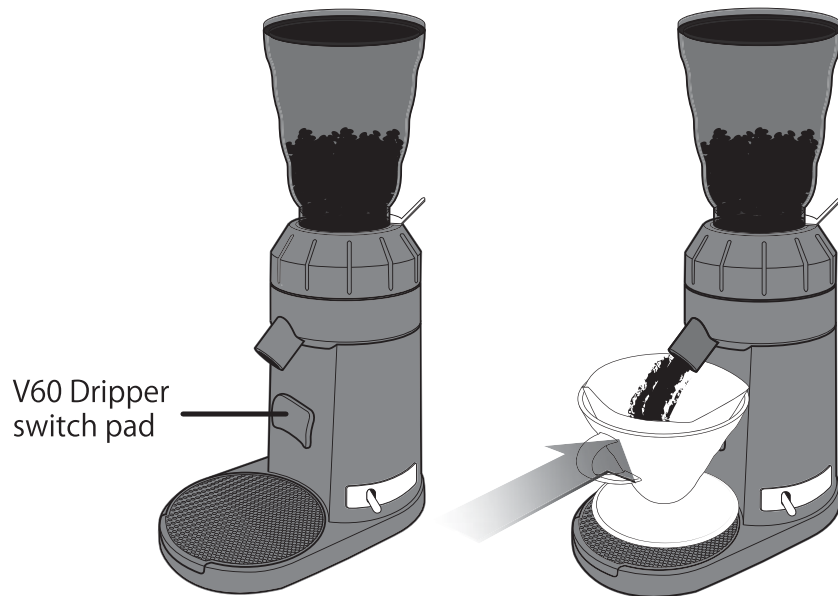


How to use

To grind directly into a V60 dripper.



To grind directly into a canister or other containers.



Plug the power cord into a 120V AC power outlet and push down on the operation switch to the "AUTO" position. Press a V60 dripper against the V60 dripper switch pad. Coffee beans will be ground only while the dripper is pressed against the switch pad.

Push the operation switch up to the "ON" position and the grinder will begin grinding. Begin grinding only after placing a canister or other types of container close to the grinder spout.

Static electric charge:

If a dripper or canister is charged with static electricity, then ground coffee powder may stir up or stick to the surrounding surface. Wipe the dripper/canister with a well wrung damp towel to avoid such inconveniences.

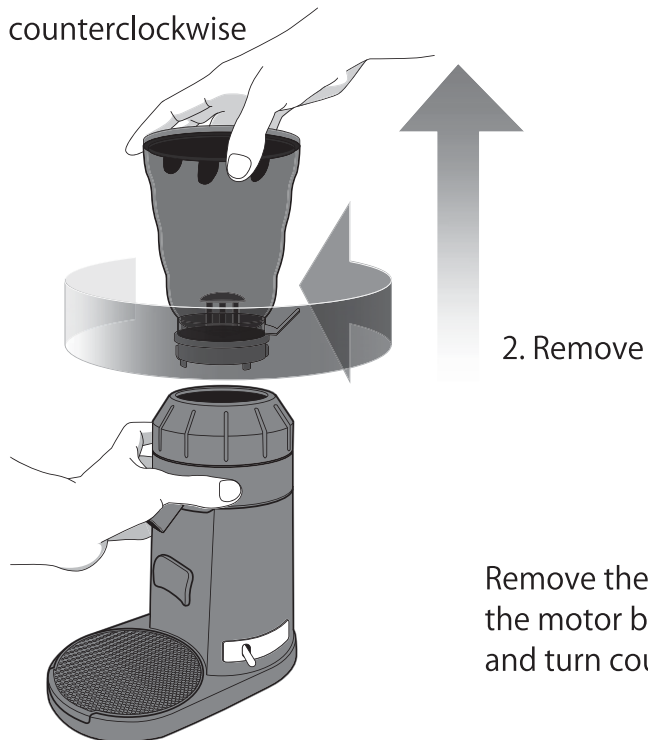
Care and cleaning

1

Check that the operation switch is in the "OFF" position and that the coffee grinder is unplugged from all power sources before cleaning.

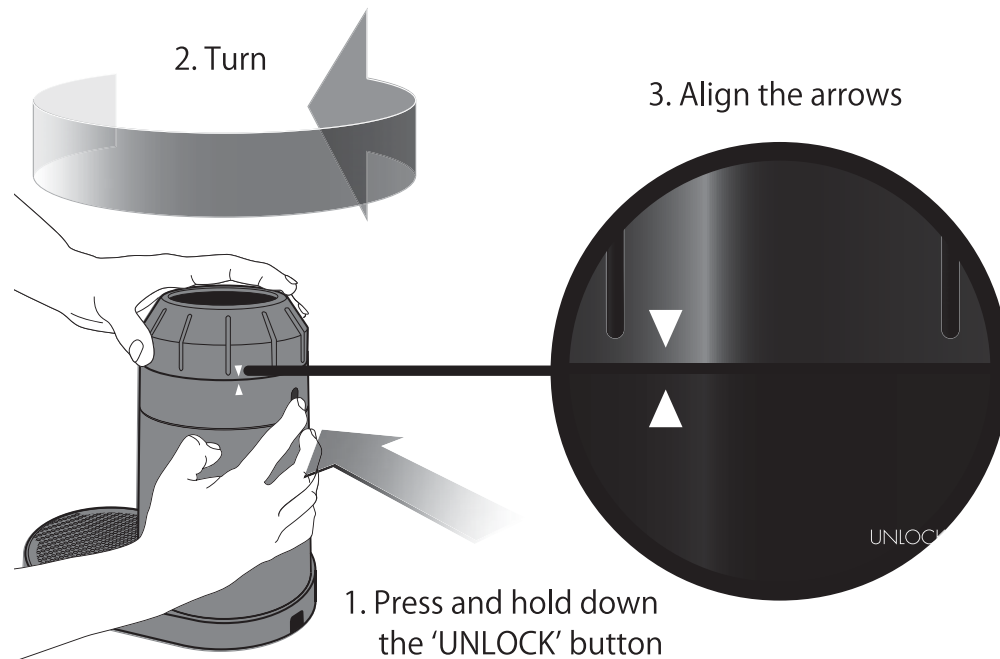


1. Turn counterclockwise



Remove the bean hopper from the motor base, push down and turn counterclockwise.

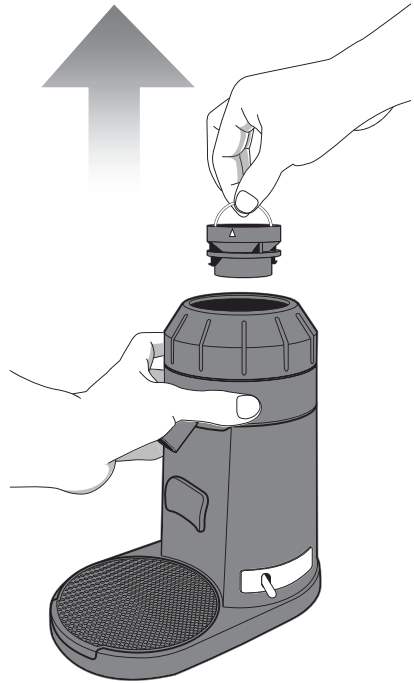
2



Press and hold down the 'UNLOCK' button at the rear of the motor base and with the other hand turn the grind adjustment collar counterclockwise until the graphic arrow on the collar is aligned with the arrow on the motor base.

Care and cleaning

3



Lift out the top burr from the grind adjustment collar using the handle. Clean using the burr cleaning brush.

4



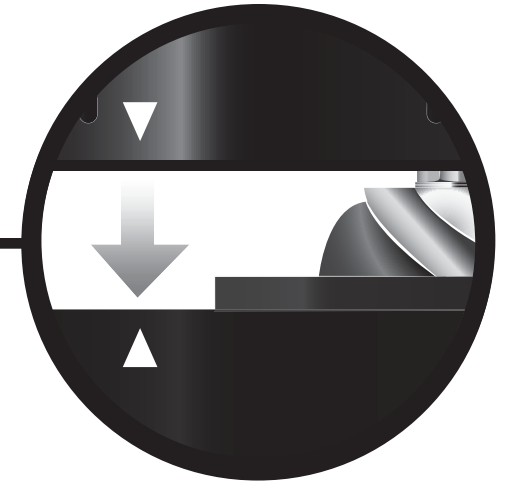
Lift the grind adjustment collar away from the motor base and clean with the brush. Clean the bottom burr using the burr cleaning brush.

5



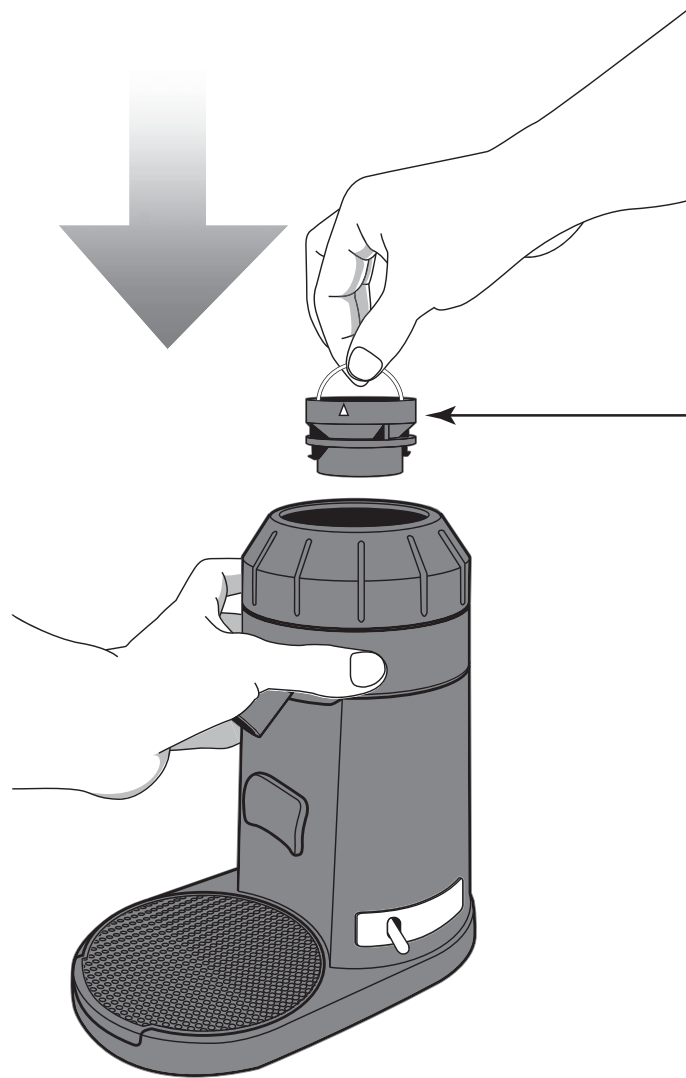
Once both burrs are cleaned, return the grind adjustment collar to its position in the motor base. With the grind adjustment collar in hand, align the arrow on the collar with the arrow on the rear of the motor base and press down.

Align the arrows



Care and cleaning

6



Align the white mark of the top burr against the white arrow marker when reattaching the top burr.

Replace the top burr back into position in the grind adjustment collar and turn clockwise to the desired grind setting.

Care and cleaning

After Sales Service

1. Warranty

This product is warranted only against defects that are due to faulty material or workmanship for a period of 1 year from the date of original consumer purchase. This warranty does not cover damage from abuse, neglect, use for commercial purposes, or any other use not found in this printed instruction manual.

2. For Repairs

Please make sure to contact a customer service within the warranty period before sending the product to the store. We will repair the product at no charge based on the content of this warranty. If the warranty period has expired charges may be applied. Please contact a customer service representative for details.

3. Minimum holding period for repair parts

We will store repair parts for a minimum of 5 years after production has terminated for the V60 Electric Coffee Grinder.

Customer Service / Main Distributor

HARIO North America LLC

customerservice@harionorthamerica.com