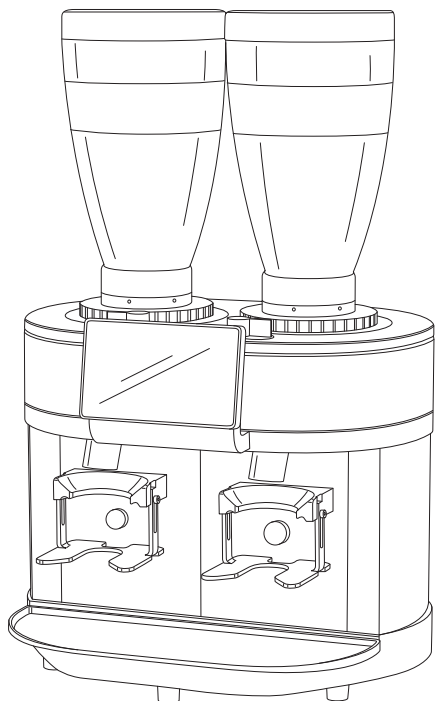


Original instruction manual

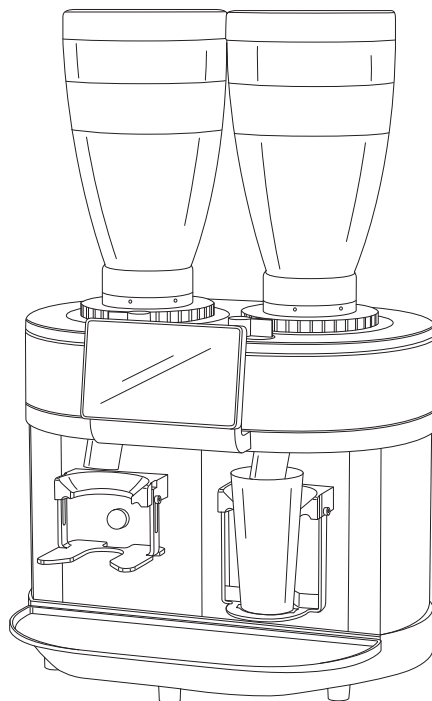


Double Espresso Grinder

K30 TWIN 2.0 | K30 TWIN 2.0 HYBRID

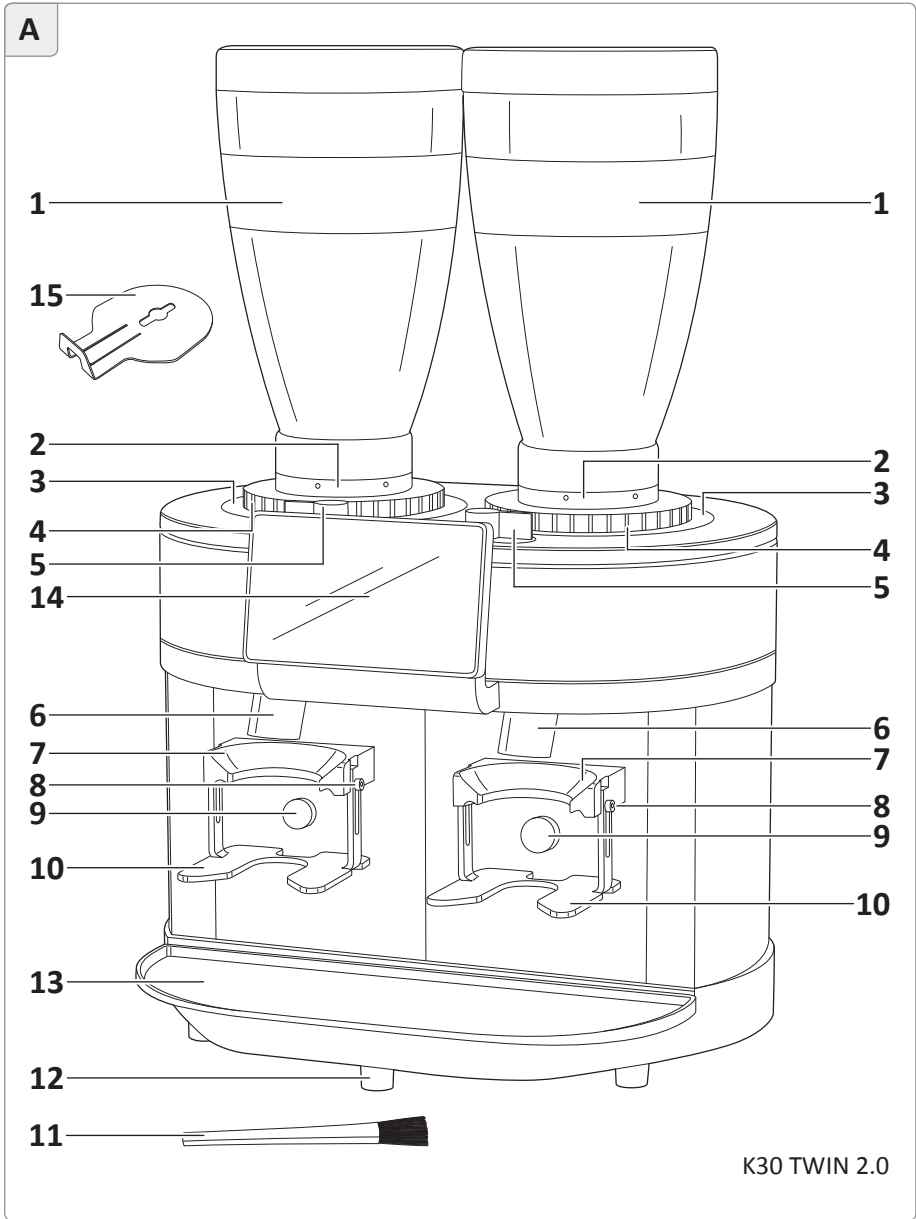


K30 TWIN 2.0

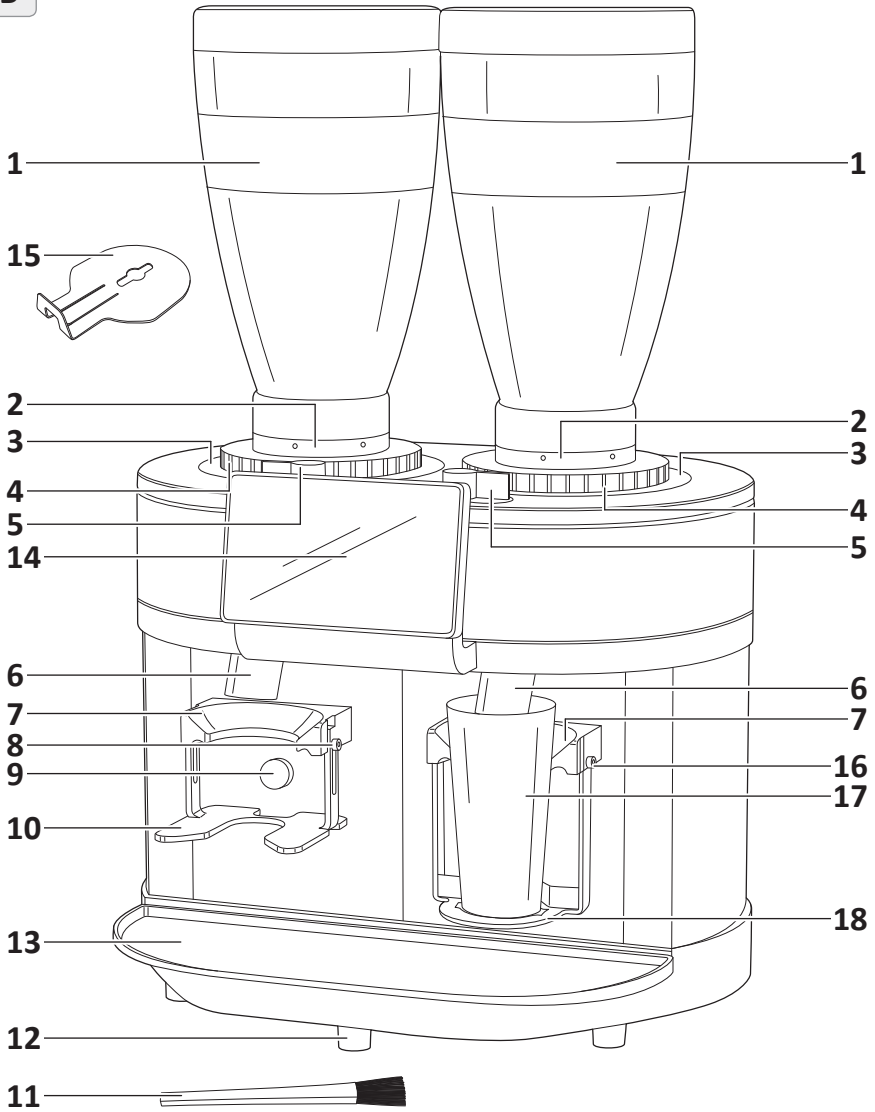


K30 TWIN 2.0 HYBRID

Overview

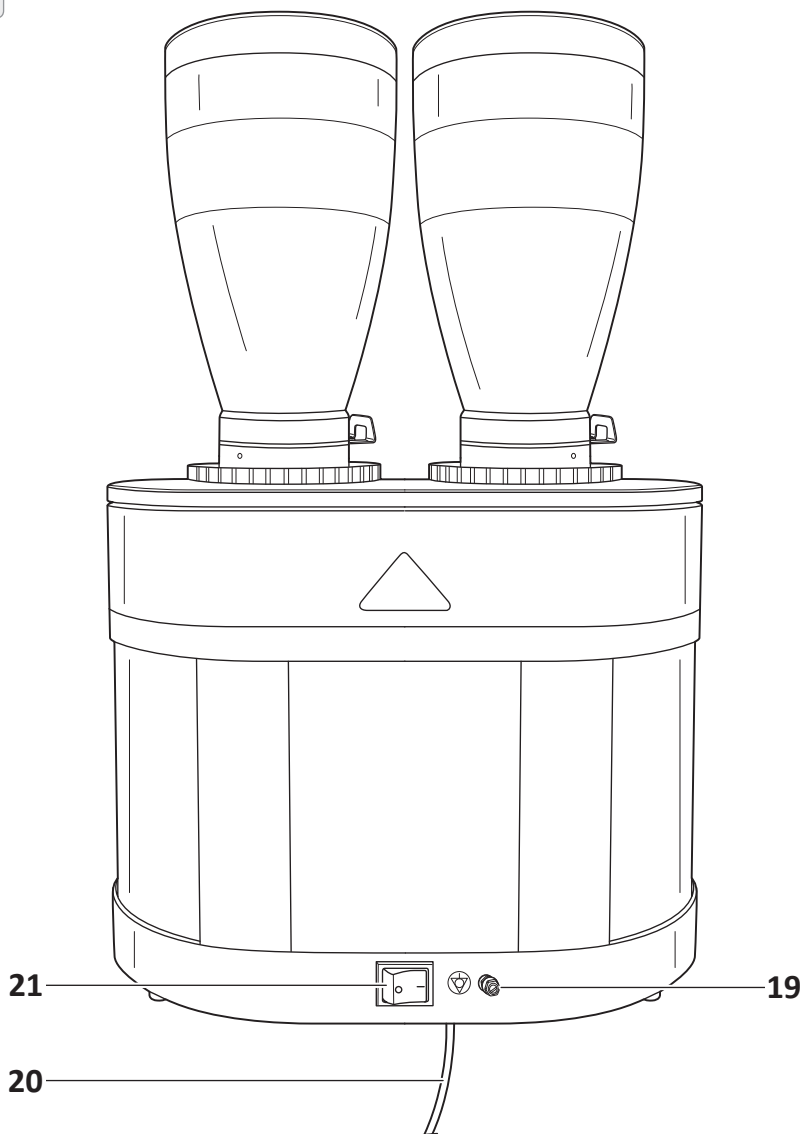


B

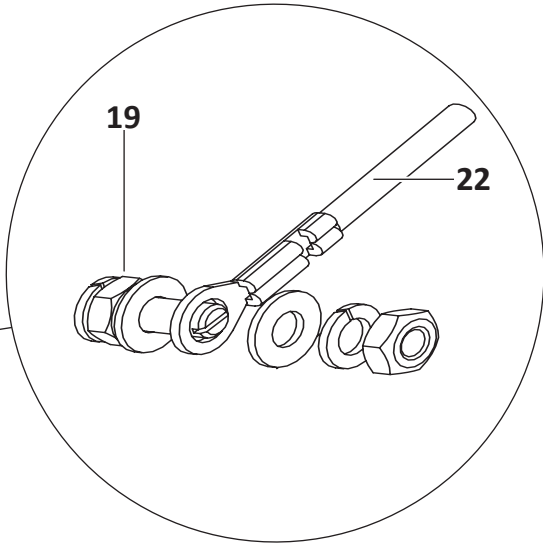
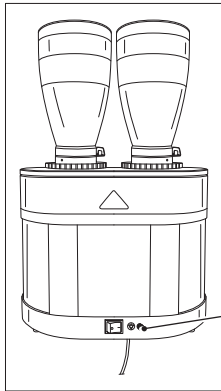


K30 TWIN 2.0 HYBRID

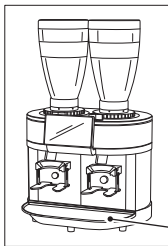
C



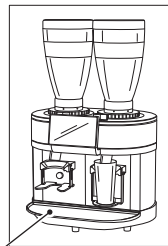
D



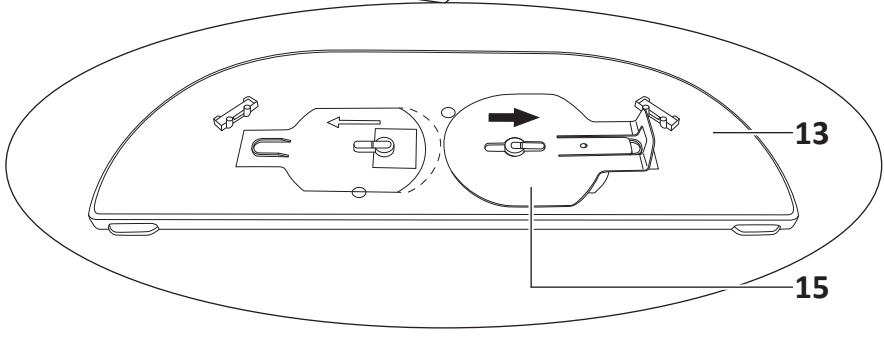
E

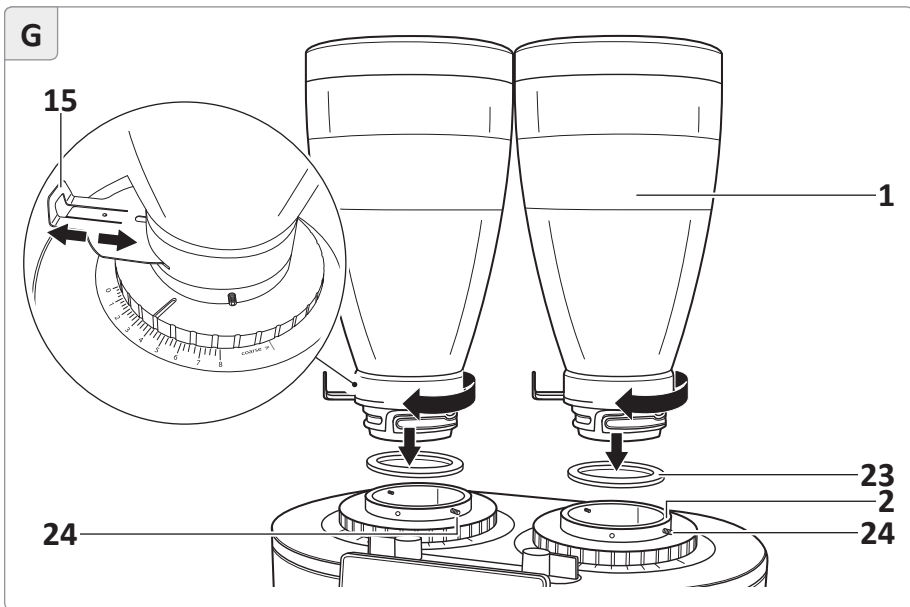
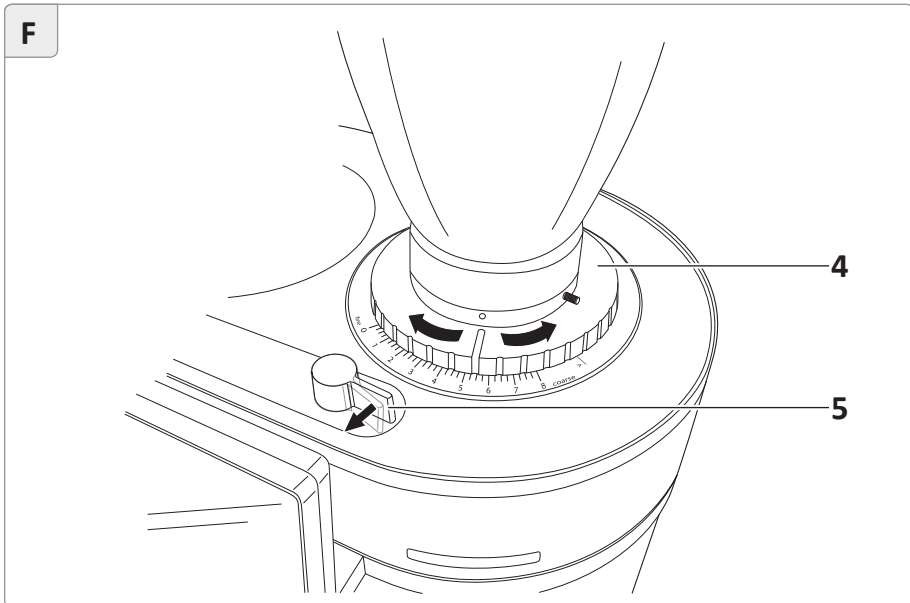


K30 TWIN 2.0

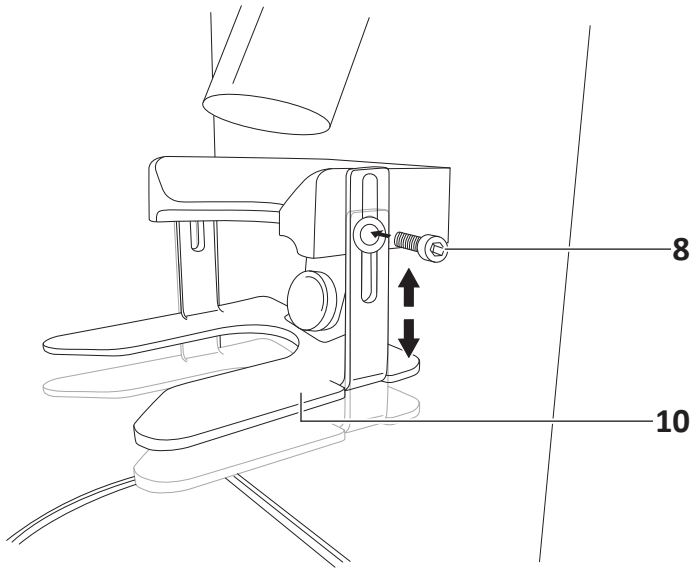


K30 TWIN 2.0 HYBRID

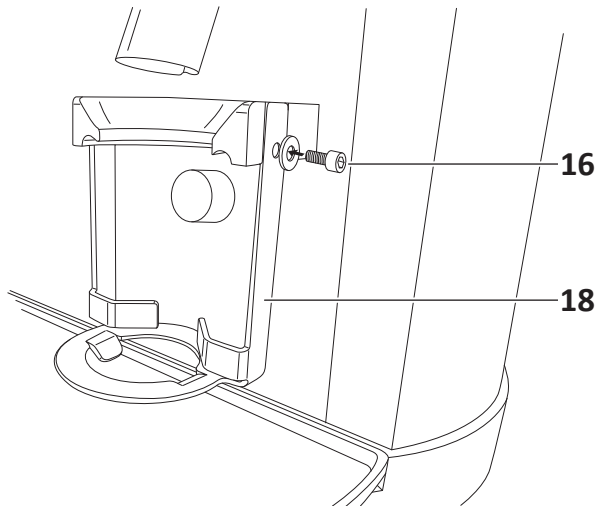




H



I



K30 TWIN 2.0 HYBRID

K30 TWIN 2.0 (HYBRID)**Contents**

Overview	2	Changing settings	25
Included in delivery	9	Display/navigation symbols	25
General information	10	Retrieving and leaving main menu	26
Read operating instructions and keep safe	10	Unlocking service menu	26
Explanation of symbols used	10	Retrieving service menu	27
Safety.....	12	Editing recipe number	27
Intended use	12	Editing recipe details.....	27
Safety information	12	Setting the date and time	28
Before using.....	15	Other settings	28
Functioning and basic settings ...	15	Counter readings	31
Checking grinder and scope of delivery.....	16	Cleaning.....	32
Setting up the grinder and inserting the bean container	16	Cleaning the grinder installation surface.....	33
Connecting the potential equalizer.....	18	Cleaning the casing	33
Adjusting the portafilter support and attaching the container intake.....	19	Cleaning the bean container	33
Operation	20	Cleaning the grinder	34
Adding coffee beans	20	Troubleshooting	35
Switching on the grinder	21	Technical data.....	38
Setting the grinding degree	21	Disposal	39
Selecting the recipe/grinding time .	22	Disposing of the packaging.....	39
Changing the recipe/grinding time .	22	Disposing of the grinder	39
Grinding coffee beans.....	23	Maintenance and service ..	39
Interrupting grinding (stop function)	24	CE conformity declaration .	40
		Notes	41

Scope of delivery

No.	Name
1	Bean container (incl. lid), 2×
2	Bean container intake, 2× (left grinder/right grinder)
3	Grinding degree scale, 2× (left grinder/right grinder)
4	Grinding degree adjustor, 2× (left grinder/right grinder)
5	Grinding degree release, 2× (left grinder/right grinder)
6	Outlet, 2× (left grinder/right grinder)
7	Portafilter intake, 2× (left grinder/right grinder)
8	Screw for adjusting the portafilter support (left and right) [Model K30 TWIN 2.0: 4× Modell K30 TWIN 2.0 HYBRID: 2×]
9	Start button, 2× [Model K30 TWIN 2.0 HYBRID: with rubber cover on container space]
10	Portafilter support [Model K30 TWIN 2.0: 2× (left grinder/right grinder) Model K30 TWIN 2.0 HYBRID: 1× (portafilter space)]
11	Brush
12	Feet, 5×
13	Drip tray
14	Display
15	Sliding valve, 2×
16	Screw for attaching the container intake (left and right), 2× [only model K30 TWIN 2.0 HYBRID]
17	Grounds container [only model K30 TWIN 2.0 HYBRID]
18	Container intake [only model K30 TWIN 2.0 HYBRID]
19	Connection for potential equalization
20	Power cable (with power plug)
21	On/Off switch
22	Potential equalization conductor 10 mm ² (not included with delivery)
23	Rubber ring (bean container support seal, 2× (left grinder/right grinder)
24	Locking screw for the bean container, 2×

General information

Read operating instructions and keep safe



Before you start using the Double Espresso Grinder K30 TWIN 2.0 (HYBRID), carefully read through this original instruction manual and the safety information. Only then will you be able to use the Double Espresso Grinder safely and without danger. The original instruction manual is based on the standards and regulations in force in the European Union. Please also note the guidelines and laws of your specific country if abroad.

For better clarity, the Double Espresso Grinder K30 TWIN 2.0 (HYBRID) shall be referred to hereinafter simply as the “grinder”.

Please keep this original instruction manual safe for later queries.

Please also hand this original instruction manual on to later owners and users of the grinder.

Explanation of symbols used

The following symbols and signal words are used in this original instruction manual, on the grinder or on the packaging.

WARNING!



This signal word / symbol indicates a risk with medium risk level, which, if it is not avoided, can lead to death or serious injury.

CAUTION!



This signal word / symbol indicates a risk with a low risk level, which, if it is not avoided, can lead to mild or moderate injury.

INFORMATION!

This signal word warns against possible material damage.



This symbol provides you with important information concerning operation or handling.



Conformity declaration (see chapter “Conformity declaration”): Products marked with this symbol fulfil all applicable community provisions of the European Economic Area.



ETL Listed seal of approval: Products marked with this symbol meet the requirements for electrical product safety of the United States of America.



Products marked with this symbol meet the required criteria of the NSF (National Sanitation Foundation) regarding cleanliness and hygiene in the food industry.



Products marked with this symbol are only permitted for use in interior spaces.



This symbol brings your attention to danger of electric shock.



This symbol informs you that you need to pull out the power plug before you clean or repair the appliance.



This symbol indicates that the grinder conforms to protection class I.



This symbol indicates the connection for potential equalization.

Safety

Intended use

The grinder is only suitable for grinding whole roast coffee beans. Do not use the grinder to grind other products or objects. It is intended for commercial use and may only be serviced by trained personnel. It may, however, be operated by other persons in a place where use is supervised.

Any other use is not considered to comply with intended use and can result in material damage or even personal injury. Do not make any changes to the grinder. The manufacturer or the supplier shall not be held liable for any injury or damage resulting from non-compliance with the safety instructions.

Safety information



WARNING!

Danger of electrocution!

Improper use, incorrect electrical installation or a voltage that is too high can all lead to electrocution.

- Connect the grinder only if the mains voltage of the socket complies with the information indicated on the nameplate.
- Only connect the grinder to a socket with good accessibility, so that you can disconnect it quickly from the power supply in the event of any hazardous incident.
- Do not use the grinder if you notice any visible damage or if the power cable or plug is faulty.
- If the power cable for the grinder is damaged, it must be replaced by the manufacturer or by qualified personnel in order to avoid hazards.
- Connect the grinder only to a power supply with a 16 A-slow back-up fuse or a 15 A load switch.

Have the 16 A-slow back-up fuse or 15 A load switch fitted by a qualified electrician if the power connection at the site of installation of the grinder is not secured in this way.

- Install the grinder only in places where the handling of the grinder can be supervised by trained personnel.
- Do not immerse the grinder or the power cable / power plug in water or any other liquids.
- Do not clean the grinder with a water jet.
- Do not clean the grinder with compressed air (e.g. with a compressed air blow gun).
- Never touch the power plug with wet hands.
- Never unplug the mains plug from the wall socket by pulling on the power cable; always grip the power plug.
- Never use the power cable as a handle to carry the grinder.
- Keep the grinder and power cable / power plug away from open flames and hot surfaces.
- Do not place the power cable in such a way that could create a tripping hazard.
- Do not bend the power cable and do not place it over sharp edges.
- Use the grinder in indoor areas only. Never operate the grinder in damp rooms or in the rain.
- Keep children away from the grinder.
- Make sure that children do not insert any objects into the grinder.
- If you are not currently using or cleaning the grinder, or if a disruption occurs, switch the grinder off and remove the power plug from the socket.
- Do not open the grinder casing; leave repairs to the experts. If repairs are required, please contact a specialist workshop. In the event of independent repairs being carried out, or of faulty connection or incorrect operation, all liability and guarantee claims are excluded. In the event of a repair, only parts that comply with the original appliance specifications may be used. This grinder contains electrical and mechanical parts that are essential for protection against potential hazards.

 **WARNING!**

Danger for children and persons with reduced physical, sensory and mental abilities (e.g. partially disabled persons, older persons with limited physical and mental abilities) or a lack of experience and knowledge (e.g. older children).

- This grinder may be used by children older than eight years and by persons with reduced physical, sensory or mental disabilities or a lack of experience and knowledge if they are supervised or instructed on the safe use of the grinder and have understood the possible resulting dangers. Children are not permitted to play with the grinder. Cleaning and user maintenance may not be carried out by children without supervision.
- Do not leave the grinder unsupervised when in operation.
- Do not let children play with the packaging film. Children can become entangled and choke while playing.
- Do not let children play with the small parts. They can be life-threatening if swallowed.

 **CAUTION!**

Risk of tipping and injury!

Incorrect handling of the grinder can result in injury.

- Position the power cable so that nobody can become entangled in it, causing the grinder to fall down.
- Place the grinder on a level and stable surface to prevent it from falling off.



A USB port can be found on the back of the display.

This USB port must only be used by service technicians, e.g. for installing software updates.

Before using

Functioning and basic settings

The grinder models K30 TWIN 2.0 and K30 TWIN 2.0 HYBRID each have two grinders that can be controlled separately (left and right).

The shot sizes, i.e. the volume of grounds per withdrawal, are defined by the grinding time.

The user can specify up to six different recipes (grinding times) for each of the grinders (recipe mode) and also has the possibility of controlling the grinding time manually (manual grinding).

The grinding process is started automatically when the portafilter/grounds container is inserted and either stops automatically after the defined grinding time has elapsed (grinding according to recipe) or when the portafilter/grounds container is removed (manual grinding).

K30 TWIN 2.0:

Model K30 TWIN 2.0 has two portafilter spaces, i.e. the grounds of both grinders fall directly into the inserted portafilter.



You can modify the K30 TWIN 2.0 grinder using a hybrid kit, and as such, set up a container space instead of a portafilter space (analogous to model K30 TWIN 2.0 HYBRID).

To do this, contact a certified service technician who can install the hybrid kit and unlock the software menu.

K30 TWIN 2.0 HYBRID:

The K30 TWIN 2.0 HYBRID model has a portafilter space and a container space, i.e. the grounds of one grinder fall directly into the inserted portafilter and the grounds of the other grinder fall into the inserted grounds container (e.g. for filter coffee).

Checking grinder and scope of delivery

INFORMATION!

Risk of damage!

The grinder can become damaged if the packaging is opened carelessly with a sharp knife or other pointed object.

- Be very careful when opening.
-

1. Remove the grinder from its packaging.
2. Check if the delivery is complete (see **Fig. A/B** and **C**).
3. Check if the grinder or any of the individual parts are damaged.
If this is the case, do not use the grinder. Contact your supplier (see chapter “Service”).

Setting up the grinder and inserting the bean container

INFORMATION!

Risk of damage!

Improper use can lead to damage of the bean container.

- Make sure during installation to position the bean container in such a way that the locking screw for the bean container reaches into the appropriate recess of the bean container when screwing in. If you do not position the bean container correctly, you may damage the bean container when screwing in the locking screw.
-



For grinders designed for mains voltage ranges of 200–230 V or 220–240 V, the locking screw for the bean container is a hexagon socket screw. Use the 2 mm Allen key supplied with this model to fix the bean container.

For grinders designed for a mains voltage range of 100–127 V, the locking screw for the bean container is a slotted screw. Use a slot screwdriver to fix the bean container (not included in delivery).

1. Place the grinder on a level and stable surface that does not vibrate to prevent it from falling off.
2. Make sure that the rubber ring **(23)** has been properly positioned in the bean container intake **(2)** and is lying flat (see **Fig. G**).
3. Keep pressing the grinding degree release **(5)** forward (in the direction of the display **(14)**) and, at the same time, use the grinding degree adjustor **(4)** to set the grinding degree to the finest level (scale value “0”) (see **Fig. F**). Turn the grinding degree adjustor in such a way that the groove in the grinding degree adjustor indicates “0” on the grinding degree scale **(3)**.



The locking mechanism can become damaged if you turn the grinding degree adjustor with force without holding down the grinding degree release at the same time.

4. Place the bean container **(1)** onto the bean container intake (see **Fig. G**). In doing so, make sure that the pins in the bean container intake catch the corresponding grooves on the bean container and the recess for the locking screw on the bean container aligns in the direction of the locking screw on the bean container intake.
5. Keep pressing down lightly on the bean container and turn the bean container clockwise so that it clicks into the bean container intake.
6. Use a slot screwdriver or the 2 mm Allen key supplied to screw the locking screw **(24)** for the bean container clockwise until finger-tight. Make sure not to screw the locking screw too tightly. The locking screw should be level with the grinding degree adjustor.
7. Repeat steps 2–6 to insert the second bean container into the remaining (free) bean container intake.
8. Seal the bean container by sliding in both sliding valves **(15)**.



If you do not need both sliding valves, you can clamp them to the bottom of the drip tray (see **Fig. E**).

- Place the drip tray **(13)** into the corresponding opening under the outlet **(6)** so that the magnets underneath the drip tray sit in the appropriate intakes.

Connecting the potential equalizer

The connection for potential equalization **(19)** is located on the back of the grinder (see **Fig. C**). The electrical connection and testing of electronic functionality must be carried out by an electrician.

- Loosen and remove the lock nut (see **Fig. D**).
- Remove the lock ring and the flat washer.
- Connect the potential equalization conductor **(22)** to the potential equalizer.



The potential equalization conductor is not included with delivery.

Use a copper potential equalization conductor with a minimum cross-section of 10 mm².

If you have questions about this, contact an authorized service partner or electrician.

- Secure the potential equalization conductor by reattaching the nut, flat washer and lock ring.
- Make sure that the grinder is switched off (On/Off switch **(21)** to "0") and connect the grinder to the power supply by inserting the power plug **(20)** into a properly installed safety socket.

Adjusting the portafilter support and attaching the container intake



For grinders designed for mains voltage ranges of 200–230 V or 220–240 V, the portafilter support and the container intake are attached with hexagon socket screws. Use the 3 mm Allen key supplied with this model for fixing.

For grinders designed for a mains voltage range of 100–127 V, the portafilter support and the container intake are attached with slotted screws. You will need a slot screwdriver for fixing (not included with delivery).

Adjust the portafilter support **(10)** to the size of your espresso machine's portafilter (see **Fig. H**):

1. Make sure that the grinder is switched off and not connected to a power supply (On/Off switch **(21)** to position "0").
2. Turn anticlockwise using a slot screwdriver or the 3 mm Allen key supplied to loosen the screws **(8)** for adjusting the portafilter support (left and right).

The portafilter support is lowered as far as it will go.

3. Insert the portafilter into the portafilter intake **(7)**.
4. Push the portafilter support upwards until the portafilter fits exactly between the portafilter support and the portafilter intake.



If the portafilter support does not fit, contact your supplier (see chapter "Service").

5. Hold the portafilter support in position and fix it by turning the screws for adjusting the portafilter support (left and right) until tight using a slot screwdriver or the 3 mm Allen key supplied.

6. **K30 TWIN 2.0:**

Repeat steps 2–5 to adjust the second portafilter support.

K30 TWIN 2.0 HYBRID:

Attach the container intake **(18)** by fixing it to the grinder on both sides using the two screws **(16)** for attaching the container intake and two washers (see **Fig. I**).

Operation

INFORMATION!

Danger of overheating!

Exceeding the maximum permissible operating cycle can cause the grinder to overheat.

- Do not exceed the maximum operating cycle (see chapter “Technical data”).
- Observe the recommended pause when the maximum permissible operating cycle is reached (see chapter “Technical data”).



- The grinder has two fuses that act as an overcurrent protection device. If this overcurrent protection device is triggered because of electric overload, the grinder’s circuit is interrupted.
- To be able to operate the grinder once again after triggering the overcurrent protection device, switch the On/Off switch **(21)** to “0” (off) and contact an authorized service partner (see chapter “Service”).
- The grinder also has a motor protector, which switches off the grinder when the motor becomes too hot. As soon as the motor has cooled down, the grinder can be put into operation again (see chapter: “Troubleshooting”).

Adding coffee beans

1. Remove the lid from the bean container **(1)**.
2. Pour whole roasted coffee beans into the bean container from above.



- The maximum filling quantity should be approx. 1 cm below the edge of the bean container.
- The minimum filling quantity should not fall below 2 cm in order to ensure that there are no dosing fluctuations.

3. Place the lid back onto the bean container.
4. If necessary, open the bean container by pulling out the sliding valve **(15)** (see **Fig. G**).

Switching on the grinder

1. Make sure that you have inserted the power plug **(20)** into a properly installed safety socket.
2. Switch on the grinder by switching the On/Off switch **(21)** to “I”. The grinder is ready for operation as soon as the recipes last selected / the symbol for manual grinding appear(s) on the display **(14)**.
The LED light in blue or purple signals that you can use the grinder and shows which mode the grinder is currently in (blue = recipe mode; purple = manual grinding).

Setting grinding degree



- The grinding degree adjustor is secured against unintentional adjustments to the grinding degree. To release this lock, the grinding degree release must be held down. The locking mechanism can become damaged if you turn the grinding degree adjustor with force without holding down the grinding degree release at the same time.
- This can be moved along the grinding degree scale continuously by unlocking the grinding degree adjustor. The finest setting is “0” and the coarsest setting is “8”.

1. Keep pressing the grinding degree release **(5)** forward (in the direction of the display **(14)**) and, at the same time, use the grinding degree adjustor **(4)** to set the grinding degree to the desired level. Turn the grinding degree adjustor clockwise or anticlockwise so that the groove in the grinding degree adjustor indicates the desired scale value on the grinding degree scale **(3)** (see **Fig. F**).



Only reduce the grinding degree during grinding or when you can be sure that there are no coffee beans in the grinder.

2. Let go of the grinding degree release.

Selecting the recipe/grinding time



The following recipes are pre-set at delivery:

K30 TWIN 2.0:

2 espresso recipes per portafilter space:

- Single espresso
- Double espresso (two single espressos)


K30 TWIN 2.0 HYBRID:

2 espresso recipes:

- Single espresso
- Double espresso (two single espressos)

4 filter coffee recipes:

- V60
- Chemex
- French Press
- AeroPress

- On the display **(14)**, swipe up/down over the display range of the respective grinder (left/right) to select the desired recipe or manual grinding. The recipe details (recipe name, symbol and grinding time) or the  symbol for manual grinding are shown on the display. The LED light also indicates which mode the grinder is currently in (blue = recipe mode, purple = manual grinding).

Changing the recipe/grinding time

Proceed as follows if you would like to change the grinding time of an existing recipe:

1. On the display **(14)**, swipe over the display range on the respective grinder (left/right) to select the desired recipe (see chapter “Selecting the recipe/grinding time”).
2. Touch the symbol of the selected recipe for longer than 1 second. The display will show the set grinding time.
3. Set the desired grinding time by swiping up/down over the appropriate areas on the time display.
4. Click on the ✓ symbol to confirm the set grinding time or click on the ↩ symbol to cancel the process without making any changes.

Grinding coffee beans

Grinding according to a recipe (recipe mode)

1. On the display **(14)**, swipe over the display range on the respective grinder (left/right) to select the desired recipe (see chapter “Selecting the recipe/grinding time”).
2. Insert the portafilter between the portafilter intake **(7)** and the portafilter support **(10)** until it touches the start button **(9)**.


or

Guide the opening of the grounds container **(17)** over the outlet and insert the grounds container into the container intake **(18)** so that the start button is triggered. The grinder starts the grinding process automatically when the start button is triggered and then stops after the set grinding time.


During the grinding process, the LED light switches from blue to white and the remaining grinding time is counted down on the display **(14)**. As soon as the grinding time has elapsed the LED light will change to green, indicating that the grinding is complete and the portafilter can be removed.


3. Remove the portafilter from the portafilter intake / remove the grounds container from the container intake once the grinding process is complete.

Manual grinding

1. On the display **(14)**, swipe over the display range on the respective grinder (left/right) to select the  symbol for manual grinding (see chapter “Selecting the recipe/grinding time”).
2. Insert the portafilter between the portafilter intake **(7)** and the portafilter support **(10)** until it touches the start button **(9)**.

or

Guide the opening of the grounds container **(17)** over the outlet and insert the grounds container into the container intake **(18)** so that the start button is triggered. The grinder starts the grinding process automatically when the start button is triggered. During the grinding process, the  symbol appears on the display, the LED light will change from purple to white and the current grinding time is displayed.

3. Remove the portafilter from the portafilter intake / remove the grounds container from the container intake when you want to end the grinding process. As soon as the set abort time has elapsed, the LED light will change from white to purple and the  symbol will appear on the display.

Interrupting grinding (stop function)

The stop function automatically suspends grinding when you remove the portafilter from the portafilter intake **(7)** and continues grinding when you insert the portafilter into the portafilter intake again and trigger the start button **(9)**.

1. Remove the portafilter from the portafilter intake during grinding to interrupt grinding and stop the grinding time. The symbol for the remaining grinding time flashes.
2. Reinsert the portafilter between the portafilter intake and the portafilter support **(10)** before the abort time elapses.

The suspended grinding process is continued automatically until the grinding time has elapsed.



The abort time is factory-set to 8 seconds and can only be changed by a service technician.

Changing coffee bean variant

1. Close the bean container **(1)** by pushing in the sliding valve **(15)**.
2. Grind the remaining coffee beans until the grinder runs idle (see chapter “Grinding coffee beans”).
3. Remove the leftover coffee beans from the bean container.
4. Pour the new coffee beans into the bean container.
5. Open the bean container by pulling out the sliding valve.
6. Grind 2–3 shots to remove any residue of the old coffee beans, to warm up the machine and to avoid any fluctuations in the dosage.

Changing settings









You can retrieve appliance data and change the settings in the main menu.



If you take longer than 3 minutes to make or confirm a selection in the main menu or in a sub-menu, you will automatically be taken back to the home screen.

Entries that have been selected but not confirmed will not be saved.

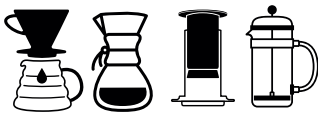
Display/navigation symbols

Symbol	Meaning
	Clicking on this symbol will take you to the main menu.
	This symbol indicates that you are making changes to the right grinder.
	This symbol indicates that you are making changes to the left grinder.
	Clicking on this symbol will confirm a selection/entry.
	Clicking on this symbol allows you to cancel a running procedure (✓ symbol for an alternative option) or takes you back to the previous menu after making the change.
	This symbol indicates that the grinder is in “manual grinding” mode.
	This symbol appears in “manual grinding” mode during the grinding process.
	Clicking on this symbol will take you back to the user interface




Recipe symbols for grinding on the portafilter space




Recipe symbols for grinding on the container space



Retrieving and leaving main menu

- Click on the  symbol on the display **(14)** to go to the main menu.
- Click on the  symbol on the display to go back one level in the main menu.
- Click on the  symbol on the display (several times if necessary) to leave the main menu.

Unlocking service menu

1. Go to the main menu (see chapter “Retrieving and leaving main menu”).
2. Swipe up/down on the display **(14)** and select the menu item *“Unlock service level”*.
3. Enter your service code.
4. Confirm the entry by clicking on the  symbol.

You will automatically be taken to the service menu and can make changes to the settings there.

Retrieving service menu







Only a service technician can access the service menu.

1. Go to the main menu (see chapter “Retrieving and leaving main menu”).
2. Unlock the service menu if necessary (see chapter “Unlocking service menu”).
3. Swipe up/down on the display **(14)** and select the menu item *“Service”*.

Editing recipe number

1. Go to the main menu (see chapter “Retrieving and leaving main menu”).
2. Swipe up/down on the display **(14)** and select the menu item *“Edit recipes”*.
3. Click on the menu item *“Number of recipes left”* or *“Number of recipes right”*.
4. Swipe up/down over the number of recipes displayed to change this.
5. Click on the ✓ symbol to confirm your entry and to finish editing the number of recipes.

Editing recipe details

1. Go to the main menu (see chapter “Retrieving and leaving main menu”).
2. Swipe up/down on the display **(14)** and select the menu item *“Edit recipes”*.
3. Click on the menu item *“Recipes left”* or *“Recipes right”*.
The symbols and names of the recorded recipes are shown on the display. The   or   symbol in the upper section indicates the grinder (left/right) to which you are making changes.
4. Click on the appropriate recipe symbol.
It will take you to the input option for the recipe name.
5. Change the recipe name using the text block on the display and confirm your entry by clicking on the ✓ symbol.
This will take you to the recipe symbol selection.
6. Swipe left to right on the display to select the desired recipe symbol.
The current selection will be in a different color and will be shown in the middle of the display.

7. Click on the ✓ symbol to confirm the selection.
You will be taken to the input option for the grinding time.
8. Set the desired grinding time by swiping up/down over the appropriate areas on the time display.
9. Click on the ✓ symbol to confirm your entry and to finish editing the recipe details.

Setting the date and time

1. Go to the service menu (see chapter “Retrieving service menu”).
2. Swipe up/down on the display **(14)** and select the menu item *“Set the clock”*.
3. Change the date and time settings on the display.
4. Confirm your entry by clicking on the ✓ symbol, or click on the ↵ symbol to cancel the process.

Other settings

Displaying/editing appliance name

1. Go to the service menu (see chapter “Retrieving service menu”).
2. Swipe up/down on the display **(14)** and select the menu item *“Appliance name”*.
3. Enter the appliance name using the text block.
4. Confirm your entry by clicking on the ✓ symbol, or click on the ↵ symbol to cancel the process.

Displaying/editing fan settings

1. Go to the service menu (see chapter “Retrieving service menu”).
2. Swipe up/down on the display **(14)** and select the menu item *“Fan settings”*.
3. Change the settings for one or both fans on the display.
4. Click on the ↵ symbol to return to the service menu.

Displaying/editing default grinder settings

1. Go to the service menu (see chapter “Retrieving service menu”).
2. Swipe up/down on the display **(14)** and select the menu item *“Default grinder settings”*.
3. Swipe up/down on the display and select the desired menu item by clicking on it.
4. Change the value on the display if necessary.
5. Confirm your entry by clicking on the ✓ symbol, or click on the ↩ symbol to cancel the process.
You can then return to the menu point *“Default grinder settings”* where you can change other settings if necessary.
6. In the menu point *“Default grinder settings”*, click on the ↩ symbol to return to the service menu.

Displaying/editing color settings

1. Go to the main menu (see chapter “Retrieving and leaving main menu”).
2. Swipe up/down on the display **(14)** and select the menu item *“Color settings”*.
3. Swipe up/down on the display and select the desired function by clicking on it.
4. Change the color for the function on the display as required.
5. Confirm your entry by clicking on the ✓ symbol, or click on the ↩ symbol to cancel the process.
You can then return to the menu point *“Color settings”* where you can change other settings if necessary.

Restoring factory settings

1. Go to the service menu (see chapter “Retrieving service menu”).
2. Swipe up/down on the display **(14)** and select the menu item *“Delivery state”*.
3. Confirm the restoration to the original factory settings by clicking on the ✓ symbol, or click on the ↩ symbol to cancel the process.

Resetting day counter

1. Go to the service menu (see chapter “Retrieving service menu”).
2. Swipe up/down on the display **(14)** and select the menu item “*Reset day counter*”.
3. Confirm the reset of the day counter by clicking on the ✓ symbol, or click on the ↩ symbol to cancel the process.

Selecting language

1. Go to the service menu (see chapter “Retrieving service menu”).
2. Swipe up/down on the display **(14)** and select the menu item “*Select language*”.
3. Select the desired language by using the text block to enter **en** for English or **de** for German.
4. Confirm your entry by clicking on the ✓ symbol, or click on the ↩ symbol to cancel the process.

Changing supervisor PIN

1. Go to the service menu (see chapter “Retrieving service menu”).
2. Swipe up/down on the display **(14)** and select the menu item “*Change supervisor PIN*”.
3. Enter the desired PIN using the text block.
4. Confirm your entry by clicking on the ✓ symbol, or click on the ↩ symbol to cancel the process.

Changing service PIN

1. Go to the service menu (see chapter “Retrieving service menu”).
2. Swipe up/down on the display **(14)** and select the menu item “*Change service PIN*”.
3. Enter the desired PIN using the text block.
4. Confirm your entry by clicking on the ✓ symbol, or click on the ↩ symbol to cancel the process.

Confirming service performed

1. Go to the service menu (see chapter “Retrieving service menu”).
2. Swipe up/down on the display **(14)** and select the menu item *“Confirm service performed”*.
3. Confirm that the service measures were carried out in full by clicking on the ✓ symbol, or click on the ↵ symbol to cancel the process.

Updating firmware

1. Go to the service menu (see chapter “Retrieving service menu”).
2. Swipe up/down on the display **(14)** and select the menu item *“Update firmware”*.
3. Confirm the firmware update by clicking on the ✓ symbol, or click on the ↵ symbol to cancel the process.

Counter readings

1. Go to the main menu (see chapter “Retrieving and leaving main menu”).
2. Swipe upwards on the display **(14)** and select the desired menu item:
 - *“Total count”*
Current total figures and values are displayed here.
The figures/values cannot be reset.
 - *“Day count”*
Current day figures and values are displayed here.

Cleaning

CAUTION!

Risk of injury!

The grinder can fall over when moved and cause injury.

- Place the grinder on a stable, tilt-proof surface.
 - Ask another person for help if the grinder is too heavy.
-

INFORMATION!

Risk of short-circuit!

Water penetrating the grinder can cause a short-circuit.

- Never immerse the grinder in water or any other liquids.
 - Never clean the grinder with a water jet.
 - Also ensure that no water or other liquids make their way into the casing.
-

INFORMATION!

Risk of damage!

Improper handling can lead to the grinder being damaged.

- Do not use any harsh cleaning products or sharp or metallic cleaning objects such as knives, metal scouring pads or similar. These can scratch the surface.
 - Do not clean the grinder with compressed air (e.g. with a compressed air blow gun).
 - Do not put the drip tray or the lid of the bean container into the dishwasher. The parts are not suitable for this and the color may fade.
 - Do not lift the grinder by the bean container; lift only by the casing and always with both hands.
-

Cleaning the grinder installation surface

1. Switch off the grinder (On/Off switch **(21)** to “0”) and remove the power plug **(20)** from the socket.
2. Lift the grinder by the casing with both hands and place onto a clean surface.
3. Clean the surface and the underside of the grinder with a damp cloth and dry the surfaces.
The surfaces must be dry and free of oil and grease.
4. Place the grinder back onto the cleaned surface.

Cleaning the casing

1. Switch off the grinder (On/Off switch **(21)** to “0”) and remove the power plug **(20)** from the socket.
2. Carefully clean the outlet **(6)** with the brush **(11)**.
3. Also clean the following grinder parts (if included with your model) with the brush:
 - the portafilter intakes **(7)**,
 - the portafilter support(s) **(10)**,
 - the screws **(8)** for adjusting the portafilter support (left and right)
 - the container support **(18)**,
 - the screws **(16)** for mounting the container support (left and right).
4. Wipe the casing and the drip tray **(13)** with a damp cloth as required, but at least once per week.

Cleaning the bean container



Bean containers must be cleaned daily to remove any coffee oil residue, as this residue can have a negative effect on the taste. The manufacturer recommends the use of bean container cleaner. For more information about the cleaner, visit www.mahlkoenig.de.

1. Close the bean container **(1)** by pushing in the sliding valve **(15)**.
2. Grind the remaining coffee beans until the grinder runs idle.

3. Remove any remaining coffee beans from the bean container and pour these into another container for temporary storage.
4. Spray the bean container inside and out a few times with bean container cleaner.
5. Clean the bean container inside and out with a cloth and then dry the bean container.

Cleaning the grinder



- The manufacturer recommends using the grinder cleaner GRINDZ™. For more information about GRINDZ™, visit www.mahlkoenig.de.
- The grinder should be cleaned every 2–5 days.

1. Close the bean container **(1)** by pushing in the sliding valve **(15)**.
2. Grind the remaining coffee beans until the grinder runs idle.
3. Remove any remaining coffee beans from the bean container and pour these into another container for temporary storage.
4. Set the grinding degree to “8” (see chapter: “Setting the grinding degree”).
5. Go to the main menu (see chapter “Retrieving and leaving main menu”).
6. Swipe up/down on the display **(14)** and select the menu item “*Clean left grinder*” or “*Clean right grinder*”.
7. Follow the instructions on the display.
8. Dispose of the ground grinding cleaner and the ground coffee beans in commercial/domestic waste.

Troubleshooting

Error	Cause	Remedy
The grinder is humming but not grinding.	<ul style="list-style-type: none"> • The outlet is clogged. 	<p>→ Set the grinding degree adjustor to “8” and trigger the grinding process. The grinder will grind itself clear. Then set the desired grinding degree during operation.</p>
	<ul style="list-style-type: none"> • Ground coffee has built up in the grinder because of overdosing in the portafilter. 	<p>→ Clean the outlet from the outside with the brush whilst the grinder is switched off. Set the grinding degree adjustor to “8” and trigger the grinding process. The grinder will grind itself clear. Then set the desired grinding degree during operation.</p>
	<ul style="list-style-type: none"> • The grinding degree is too fine. 	<p>→ Set the grinding degree adjustor to “8” and trigger the grinding process. The grinder will grind itself clear. Then set the desired grinding degree during operation. Should the problem persist, contact your supplier (see chapter “Maintenance and service”).</p>
	<ul style="list-style-type: none"> • A foreign object is in the grinder. 	<p>→ Clean the grinder assembly as described in the “Cleaning” section and remove the foreign object at the same time. If the foreign object cannot be removed, contact your supplier (see chapter “Maintenance and service”).</p>

Error	Cause	Remedy
The grinder is not grinding, the display is not lit up.	• The power plug is not plugged into a socket.	→ Insert the mains plug into a properly installed wall socket.
	• The overcurrent protection was triggered.	→ Contact your supplier (see chapter "Maintenance and service").
	• The electrical fuse has tripped.	→ Check the electrical fuse. Bring it back to its original state or replace the electrical fuse. Check whether other loads are connected to this fuse and if so, pull their plugs. If the back-up fuse trips repeatedly, contact your supplier (see chapter "Maintenance and service").
The grinder is not grinding fine enough.	• The grinding discs are worn out.	→ Contact your supplier (see chapter "Maintenance and service").
	• The grinding discs are not aligned correctly.	→ Contact your supplier (see chapter "Maintenance and service").
The grinder does not grind continuously or the grinding process stops intermittently.	• The start button is faulty.	→ Contact your supplier (see chapter "Maintenance and service").

Error	Cause	Remedy
The grinder's dosing accuracy is decreasing.	<ul style="list-style-type: none"> The outlet is clogged. Too much ground coffee has been deposited in solid form inside the grinder. 	→ Clean the outlet from the outside with the brush whilst the grinder is switched off. Set the grinding degree adjustor to "8" and trigger the grinding process. The grinder will grind itself clear. Then set the desired grinding degree during operation.
	<ul style="list-style-type: none"> The installed grinder outlet is damaged. 	→ Contact your supplier (see chapter "Maintenance and service").
	<ul style="list-style-type: none"> The flapper is faulty. 	→ Contact your supplier (see chapter "Maintenance and service").

Technical data

Model:	K30 TWIN 2.0 K30 TWIN 2.0 HYBRID
Voltage / frequency:	100–127 V; 50/60 Hz 200–230 V; 50/60 Hz 220–240 V; 50/60 Hz
Protection type:	IPX1
Protection class:	I ⊕
Fuse:	16 A-slow
Idle speed:	
50 Hz	1420 rpm
60 Hz	1640 rpm
Sound emission values:	
Idle:	55 dB(A)
Grinding:	75 dB(A)
Grinding capacity:	2×4 g/s*
Max. permitted operating cycle:	5 seconds on / 15 seconds off
Recommended pause:	15 seconds
Max. grinding time:	20 minutes
Max. daily output:	23 kg
Dimensions (W × D × H):	370 x 310 x 580 mm
Weight (net):	26 kg
Max. funnel filling quantity:	0.8 kg

*depends on the coffee beans and the selected grinding degree.

Disposal

Disposing of the packaging



Dispose of the packaging by correctly sorting the recyclable materials. Dispose of card and cardboard as waste paper, and film as recyclable materials.

Disposing of the grinder



Old appliances may not be thrown into commercial/domestic waste! If you can no longer use your grinder, you are **legally obliged** as a user to dispose of your old appliance separately from commercial/domestic waste, e.g. at a collection point in your community/district. This ensures that old appliances are recycled correctly and reduces the impact on the environment. For this reason, electrical appliances are labelled with the symbol opposite.

Maintenance and service

In the event of service or maintenance, contact an Authorized Service Center for Mahlkönig products. Customer Service can answer your questions about repairing and maintaining your product and spare parts.

Exploded diagrams and information on spare parts are also available at:

www.mahlkoenig.de

www.mahlkoenig.de/retailers



Our application consulting team will be happy to help you with questions concerning our products and their accessories.

For all inquiries and spare parts orders, please be sure to include the article and serial number as stated on the grinder nameplate.

EC DECLARATION OF CONFORMITY



The manufacturer:

HEMRO AG
Länggenstrasse 34, 8184 Bachenbülach, Schweiz
Tel.: +41 44 864 18 00
Fax: +41 44 864 18 01

Hereby declares that the below mentioned product:

Product: Device for food processing
Machine model: Coffee grinder
Type of machine: K30 TWIN, K30 TWIN 2.0, K30 TWIN 2.0 Hybrid

Following directives, regulations and standards have been applied:

2006/42/EG	The provisions of the Machinery Directive
2014/35/EU	The Low Voltage Directive
2014/30/EU	The EU Electromagnetic Compatibility Directive (EMC)
2011/65/EU	The RoHS Directive on the restriction of use of certain hazardous substances in electrical and electronic equipment
(EG) No.1907/2006	The EU chemicals regulation (REACH – Regulation)
2012/19/EU	WEEE Regulation - Waste of Electrical and Electronic Equipment
EN 60335-1:12+A11:14	Safety of electrical appliances for household, general requirements
EN 60335-2-64:00+A1:02	Safety of electrical appliances for household, particular requirements for commercial use
EN 62233:08	Measurement methods for electromagnetic fields
EN 55014-1:12	Electromagnetic compatibility, Emission (EMC)
EN 55014-2:16	Electromagnetic compatibility, Immunity (EMC)
EN 61000-3-2:15	Electromagnetic compatibility, Emission (EMC)
EN 61000-3-3:14	Electromagnetic compatibility, Emission (EMC)

Supplements in Europe:

Regulation 1935/2004	Requirements for materials and the objects with food comes into contact
Regulation 2011/10/EU	Requirements on plastic materials and articles intended to come into contact with food
Regulation 2023/2066	Regulation on good manufacturing practice for materials and articles intended to come into contact with food


Documentation agent:	Metin Makinaci
Address of the proxy documentation:	See the address of the manufacturer
Done in Hamburg on:	02/07/2018
Function of subscriber:	General Manager
Signatory name:	Philipp Baumberger

Signature

Notes



COMPANY OF THE HEMRO GROUP

 MAHLKÖNIG GmbH & Co. KG
Tilsiter Straße 142
22047 Hamburg, Germany

 +49 40 - 69 69 40-0

 www.mahlkönig.de