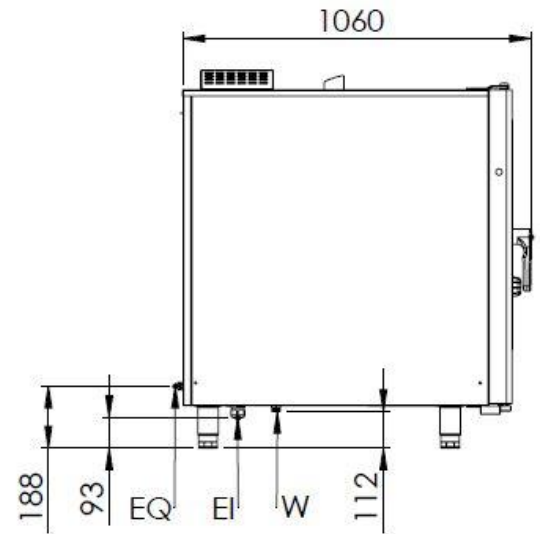
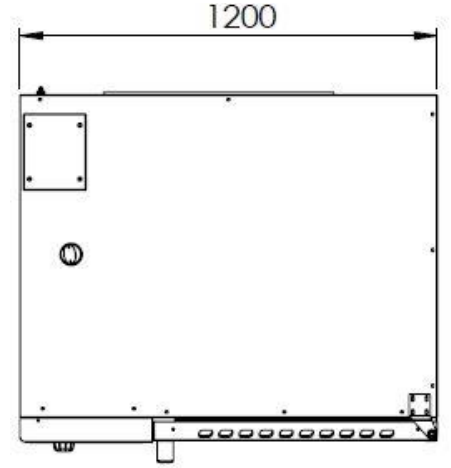
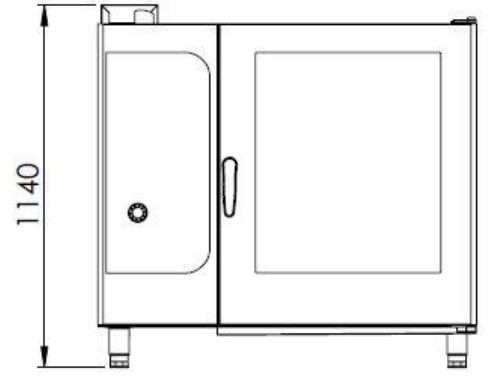




- The stainless steel body makes the device durable and enduring.
- The rounded interior cabinet provides an easy cleaning.
- The openable inner glass offers an easy cleaning.
- With high temperature resistant double glass. The coated inner glass prevents heating on the outer glass to prevent heat loss.
- The insulation material situated around the oven and the special silicone gasket located on the oven door minimize heat loss and saves energy.
- Double direction rotatable stainless steel fan provides homogeneous heat distribution inside the cabinet.
- The safety thermostat prevents the excessive temperature rising of the cabinet.
- The humidity mode can be adjusted manually or automatically.
- Easy program adjustment with the rotative knob.
- All functions are digitally controlled.
- Provides a wide cooking range with an adjustable cooking time up to 180 minutes.
- With a preheating function for more efficient cookings.
- Cooling function for the next cooking.
- 20 programmable cooking memories with 5 stages.
- The safety door switch stops the cooking when the door is opened.
- With halogen lamp interior lighting.
- With a hand shower for the interior cleaning of the oven.
- With a capacity of 20 x GN 1/1 or 10 GN 2/1 trays.

ELECTRIC STEAM CONVECTION OVEN



EI=ELECTRIC INLET
EQ=GROUNDING CONNECTION
W= WATER INLET

MODEL	DESCRIPTION	DIMENSION	TOTAL POWER / FAN POWER	ELECTRIC VOLTAGE / CABLE CROSS SECTION	WATER INLET / WATER PRESSURE	WEIGHT
PRIME102E	ELECTRIC CONVECTION OVEN	1200X1060X1140	27 kW / 0,85 kW	380-400 VAC 3N 50 Hz / 5X6 mm ²	R 3/4 / 1,5-4 bar	155 kg net
		1250X1100X1310 Package dimension				180 kg Gross weight

HEADQUARTER
Plevne Caddesi No.40/C
Gölveren-Mamak/ANKARA
Tel . +90 312 363 94 93
Fax. +90 312 363 94 92

FACTORY
Taşpınar Mevkii No.154
Çubuk/ANKARA
Tel . +90 312 837 76 72
Fax. +90 312 837 73 38



www.mutasgroup.com / info@vitalmutfak.com

